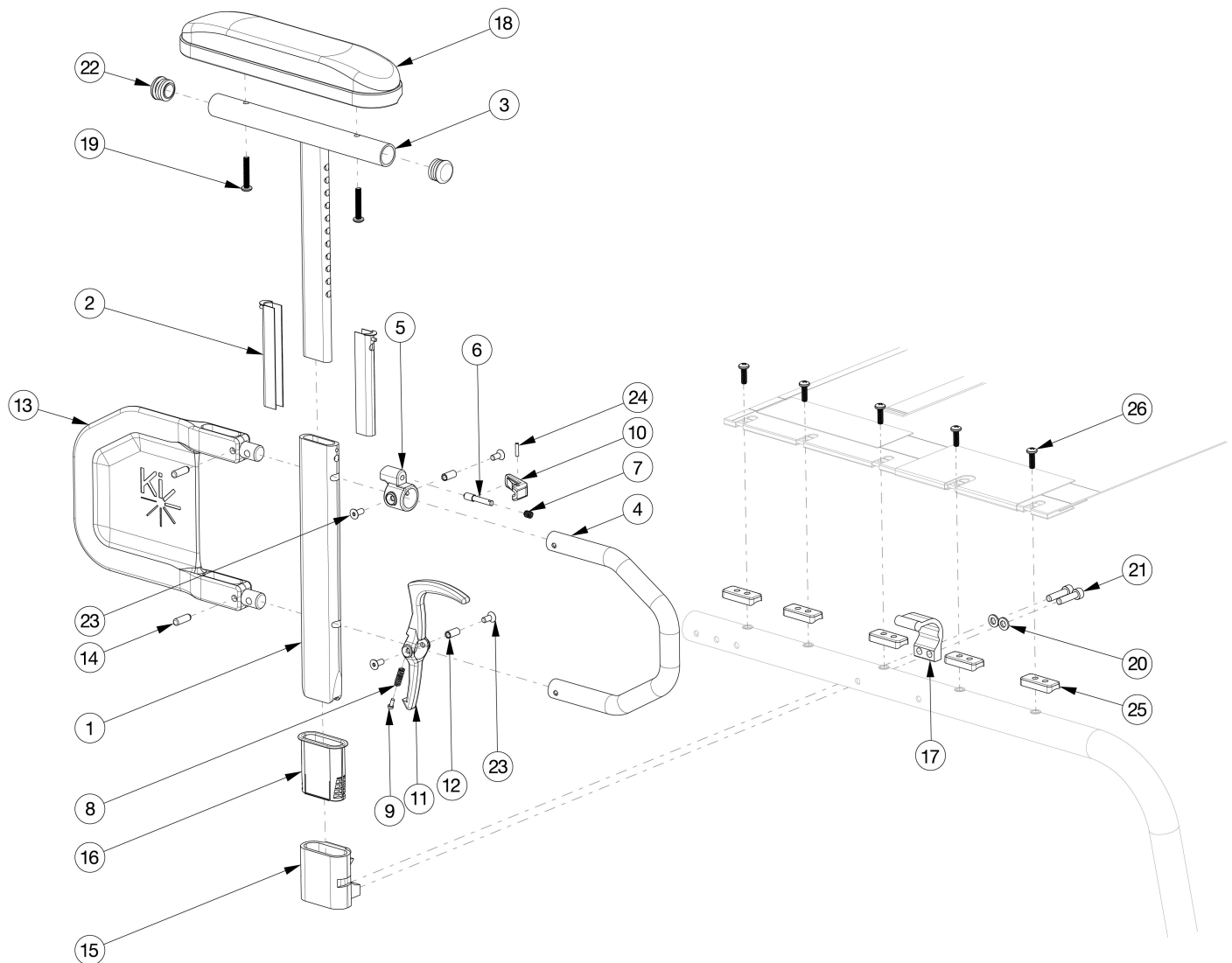


# Ethos Armrests - Height Adjustable Tall T-Arm



*If retrofitting to Height Adjustable Tall T-Arms and wheel locks are present, extended wheel lock clamp assemblies are required. If retrofitting, Receivers are needed.*

Item Number	Part Number	Description	Quantity
1, 2, 3a, 4-17, 18b, 19a, 20-26	116170	Height Adj Tall T-Arm Assm w/Short Side Shield, Std Pad Desk with Receiver and Seat Rail Saddles	1
1, 2, 3a, 4-17, 18b, 19a, 20-26	116171	Height Adj Tall T-Arm Assm w/Short Side Shield, Std Pad Desk with Receiver and Seat Rail Saddles (Pair)	1
1, 2, 3b, 4-17, 18a, 19a, 20-26	116172	Height Adj Tall T-Arm Assm w/Short Side Shield, Std Pad Full with Receiver and Seat Rail Saddles	1
1, 2, 3b, 4-17, 18a, 19a, 20-26	116173	Height Adj Tall T-Arm Assm w/Short Side Shield, Std Pad Full with Receiver and Seat Rail Saddles (Pair)	1

Item Number	Part Number	Description	Quantity
1, 2, 3a, 4-17, 18d, 19b, 20-26	116174	Height Adj Tall T-Arm Assm w/Short Side Shield, Waterfall Pad Desk with Receiver and Seat Rail Saddles	1
1, 2, 3a, 4-17, 18d, 19b, 20-26	116175	Height Adj Tall T-Arm Assm w/Short Side Shield, Waterfall Pad Desk with Receiver and Seat Rail Saddles (Pair)	1
1, 2, 3b, 4-17, 18c, 19b, 20-26	116176	Height Adj Tall T-Arm Assm w/Short Side Shield, Waterfall Pad Full with Receiver and Seat Rail Saddles	1
1, 2, 3b, 4-17, 18c, 19b, 20-26	116177	Height Adj Tall T-Arm Assm w/Short Side Shield, Waterfall Pad Full with Receiver and Seat Rail Saddles (Pair)	1
1, 2, 3a, 4-14, 18b, 19a, 22-24	116162	Height Adjustable Tall T-Arm Assembly w/Short Side Shield and Std Pad Desk	1
1, 2, 3a, 4-14, 18b, 19a, 22-24	116163	Height Adjustable Tall T-Arm Assembly w/Short Side Shield and Std Pad Desk, Pair	1
1, 2, 3b, 4-14, 18a, 19a, 22-24	116164	Height Adjustable Tall T-Arm Assembly w/Short Side Shield and Std Pad Full	1
1, 2, 3b, 4-14, 18a, 19a, 22-24	116165	Height Adjustable Tall T-Arm Assembly w/Short Side Shield and Std Pad Full, Pair	1
1, 2, 3a, 4-14, 18d, 19b, 22-24	116166	Height Adjustable Tall T-Arm Assembly w/Short Side Shield and Waterfall Pad Desk	1
1, 2, 3a, 4-14, 18d, 19b, 22-24	116167	Height Adjustable Tall T-Arm Assembly w/Short Side Shield and Waterfall Pad Desk, Pair	1
1, 2, 3b, 4-14, 18c, 19b, 22-24	116168	Height Adjustable Tall T-Arm Assembly w/Short Side Shield and Waterfall Pad Full	1
1, 2, 3b, 4-14, 18c, 19b, 22-24	116169	Height Adjustable Tall T-Arm Assembly w/Short Side Shield and Waterfall Pad Full, Pair	1
1, 2, 4-14, 23-24	114150	Height Adjustable T-Arm Short Lower Assembly, Tall <i>Does not include t-arm upper, arm pad or arm pad screws</i>	1
1, 2, 3a, 4-14, 22-24	114432	Height Adjustable T-Arm Short Side Shield, Desk, Tall <i>Does not include arm pad or arm pad screws</i>	1
1, 2, 3b, 4-14, 22-24	114433	Height Adjustable T-Arm Short Side Shield, Full, Tall <i>Does not include arm pad or arm pad screws</i>	1
5-7, 10, 23, 24	116378	Height Adjustable Tall T-Arm Upper Latch Assembly	1
8, 9, 11, 23	116375	Height Adjustable Tall T-Arm Release Lever Assembly	1
15-17, 20, 21	108234	Height Adjustable T-Arm Receiver Assembly, Ethos	1
15-17, 20, 21	109750	Height Adjustable T-Arm Receiver Assembly, PAIR, Ethos	1
12-14	506082	Height Adjustable T-Arm Short Shield Assembly	1

Item Number	Part Number	Description	Quantity
1	113137	Height Adjustable T-Arm Post, Tall	1
2	113138	Height Adjustable T-Arm Transfer Tube, Tall	2
3a, 22	116379	Height Adjustable Tall T Armrest Upper Desk w/ Tube End Plug	1
3b, 22	116380	Height Adjustable Tall T Armrest Upper Full w/ Tube End Plug	1
4	000095	Height Adjustable T Armrest Transfer Tube	1
8	000135	Height Adjustable T Armrest Release Lever Spring	1
9	000152	Height Adjustable T Armrest Release Spring Button	1
12	003457	M5 x 14mm Barrel Nut	2
14	003641	.25" x .75" Dowel Pin	2
15	005260	T-Arm Receiver, Ethos	1
16	005261	T-Arm Receiver Liner, Ethos	1
17	005262	T-Arm Clamp, Ethos	1
18a	100500	Arm Pad Full	1
18b	100501	Arm Pad Desk	1
18c	102452	Waterfall Arm Pad Full	1
18d	102521	Waterfall Arm Pad Desk	1
19a	100696	M5 x 30mm PPH Capscrew <i>Used with Standard Arm Pads</i>	2
19b	100654	M5 x 40 DIN7985 PH Pan HD M/S ZC <i>Used with Waterfall Arm Pads</i>	2
20	100746	M6 Flat Washer Blk Zn	2
21	100780	M6 x 25 SHCS ZC	2
22	100803	Tube End Plug 7/8"	2
23	103522	M5 x 0.8 x 12 FHCS CLS 10.9 Nyl Blk Zn DIN7991	4
25	005259	Seat Rail Saddle, Offset 1.125" <i>Use quantity 4 per side for 14" - 15" seat depths, quantity 5 per side for 16" - 18" seat depths and quantity 6 per side for 19" - 20" seat depths. If Seat Option is Omit Seat Sling, Seat Rail Saddles are not used.</i>	6
26	101117	M5 x 22 BTN SHCS BLK ZC	6

Item Number	Part Number	Description	Quantity
		<i>Use quantity 4 per side for 14" - 15" seat depths, quantity 5 per side for 16" - 18" seat depths and quantity 6 per side for 19" - 20" seat depths</i>	