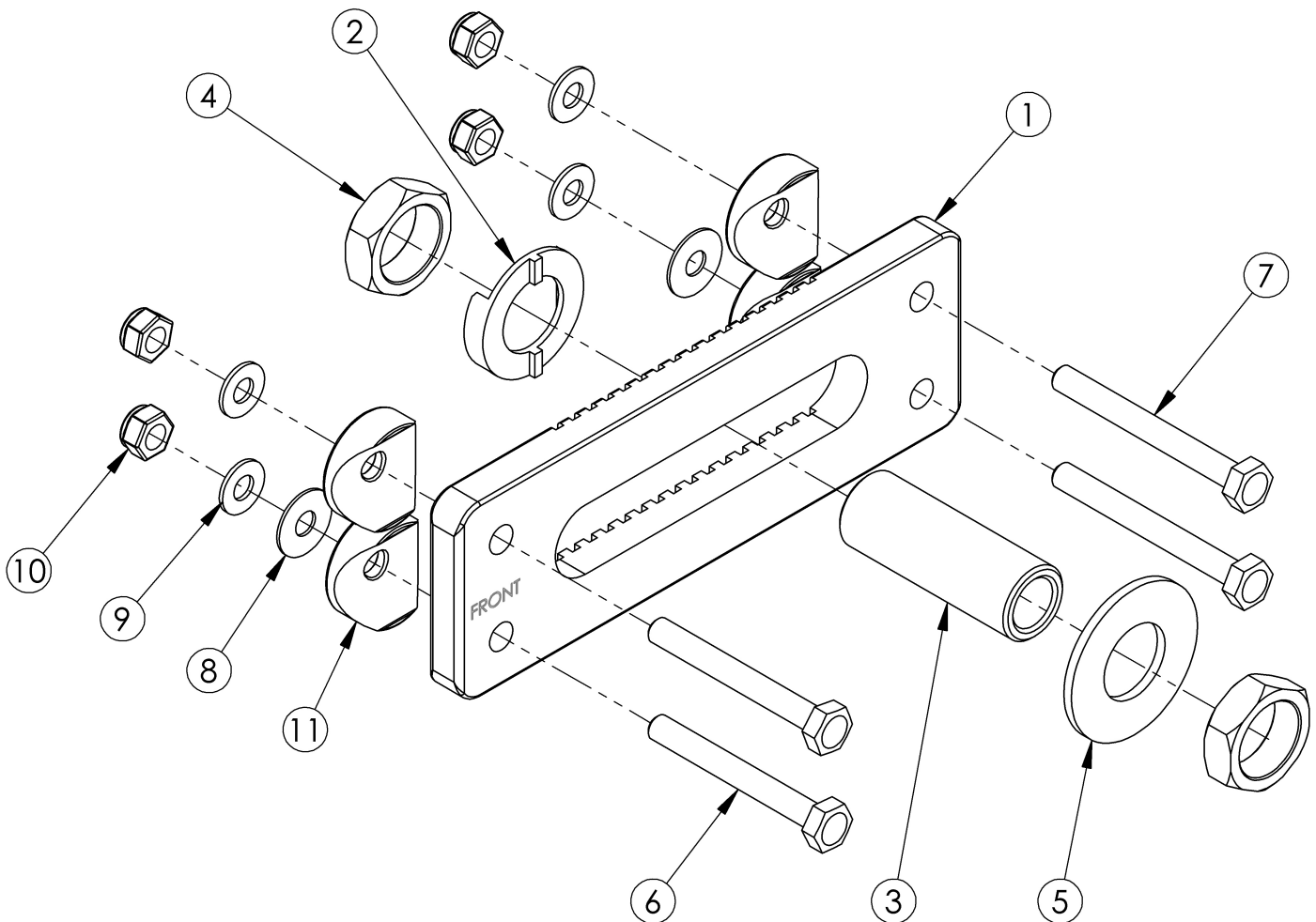


(Discontinued) Catalyst 5 Standard Axle Plate



Number of washers (Item 8) per bottom screw	Degrees of Camber
2 (4 total)	2°
3 (6 total)	4°

Item Number	Part Number	Description	Quantity
6a, 7b, 7c, 9, 10	503275	Axle Plate Hardware Kit Cat 5 for Anti Tips (Pair)	1
6a, 7c, 7d, 9, 10, 11	503276	Axle Plate Hardware Kit Cat 5 for Anti Tips and Transit and Swing Away Arms (Pair)	1
6b, 7b, 9, 10	503278	Axle Plate Hardware Kit Cat 5 Depth Adj or Spark for Anti Tips (Pair)	1
6b, 7b, 7c, 7d, 9, 10	503279	Axle Plate Hardware Kit Cat 5 Depth Adj or Spark for Anti Tips and Transit	1
2 - 5	500504	Axle Receiver Assembly 1/2"	1

Item Number	Part Number	Description	Quantity
2	004444	Axle Plate Index Washer <i>Replaced 000051 and 004678</i>	1
3	100756	Axle Receiver 1/2" Diameter	1
4	100514	Axle Receiver Nut M18 x D12 x 8mm	2
5	004445	Axle Plate Flat Washer <i>Replaced 000465</i>	1
6a	101826	M6 x 50 HHCS Blk Zn <i>Used with Curved Rear Frames</i>	2
6b	100674	M6 x 45 CLS10.9 DIN931 HHCS ZC <i>Used with Depth Adjustable and Spark Rear Frames</i>	2
7a	101826	M6 x 50 HHCS Blk Zn <i>Used when attaching axle plate only</i>	2
7b	100676	M6 x 55 CLS10.9 DIN931 HHCS ZC <i>Used when attaching axle plate and anti-tip, transit or swing away arm bracket</i>	2
7c	100677	M6 x 60 CLS10.9 DIN931 HHCS ZC <i>Used when attaching axle plate and anti-tip and transit or swing away arm bracket</i>	2
7d	100679	M6 x 65 CLS 8.8 DIN931 HHCS ZC <i>Used when attaching axle plate and anti-tip, transit and swing away arm brackets</i>	2
8	100763	Washer #12 Thin	2
9	100746	M6 Flat Washer Blk Zn	4
10	100658	M6 Nylock Nut Blk Zn	4
11	000056	Saddle 1 1/8" <i>Used with transit or swing away arm bracket</i>	4

Wheel Size / Tire Profile / Rear Seat Height

Select Rear Seat Height in row corresponding to Wheel Size and Tire Profile. 14" Seat Depth not available with 24", 25" or 26" Rear Wheels.

Requires curved axle plate Any axle plate can be used (Curved, Standard, Amputee, One Arm Drive)

Wheel Size	Tire Profile	Rear Seat Height									
20"	Low	<input type="radio"/> 11.5	<input type="checkbox"/> 12 ¹	<input type="radio"/> 12.5	<input type="checkbox"/> 13 ¹	<input type="radio"/> 13.5	<input type="checkbox"/> 14	<input type="radio"/> 14.5	<input type="checkbox"/> 15	<input type="radio"/> 15.5	<input type="radio"/> 16
	Full	<input type="radio"/> 12	<input type="checkbox"/> 12.5 ¹	<input type="radio"/> 13	<input type="checkbox"/> 13.5 ¹	<input type="radio"/> 14	<input type="checkbox"/> 14.5	<input type="radio"/> 15	<input type="checkbox"/> 15.5	<input type="radio"/> 16	<input type="radio"/> 16.5
22"	Low	<input type="radio"/> 12.5	<input type="checkbox"/> 13 ¹	<input type="radio"/> 13.5	<input type="checkbox"/> 14 ¹	<input type="radio"/> 14.5	<input type="checkbox"/> 15	<input type="radio"/> 15.5	<input type="checkbox"/> 16	<input type="radio"/> 16.5	<input type="radio"/> 17
	Full	<input type="radio"/> 13	<input type="checkbox"/> 13.5 ¹	<input type="radio"/> 14	<input type="checkbox"/> 14.5 ¹	<input type="radio"/> 15	<input type="checkbox"/> 15.5	<input type="radio"/> 16	<input type="checkbox"/> 16.5	<input type="radio"/> 17	<input type="radio"/> 17.5
24"	Low	<input type="radio"/> 13.5	<input type="checkbox"/> 14 ¹	<input type="radio"/> 14.5	<input type="checkbox"/> 15 ¹	<input type="radio"/> 15.5	<input type="checkbox"/> 16	<input type="radio"/> 16.5	<input type="checkbox"/> 17	<input type="radio"/> 17.5	<input type="radio"/> 18
	Full	<input type="radio"/> 14	<input type="checkbox"/> 14.5 ¹	<input type="radio"/> 15	<input type="checkbox"/> 15.5 ¹	<input type="radio"/> 16	<input type="checkbox"/> 16.5	<input type="radio"/> 17	<input type="checkbox"/> 17.5	<input type="radio"/> 18	<input type="radio"/> 18.5
25"	Low	<input type="radio"/> 14	<input type="checkbox"/> 14.5 ¹	<input type="radio"/> 15	<input type="checkbox"/> 15.5 ¹	<input type="radio"/> 16	<input type="checkbox"/> 16.5	<input type="radio"/> 17	<input type="checkbox"/> 17.5	<input type="radio"/> 18	<input type="radio"/> 18.5
26"	Low	<input type="radio"/> 14.5	<input type="checkbox"/> 15 ¹	<input type="radio"/> 15.5	<input type="checkbox"/> 16 ¹	<input type="radio"/> 16.5	<input type="checkbox"/> 17	<input type="radio"/> 17.5	<input type="checkbox"/> 18	<input type="radio"/> 18.5	<input type="radio"/> 19
	Full	<input type="radio"/> 15	<input type="checkbox"/> 15.5 ¹	<input type="radio"/> 16	<input type="checkbox"/> 16.5 ¹	<input type="radio"/> 17	<input type="checkbox"/> 17.5	<input type="radio"/> 18	<input type="checkbox"/> 18.5	<input type="radio"/> 19	<input type="radio"/> 19.5

¹ Not available with Amputee Axle Plate