

INSTRUCTION SHEET

Armrest Receiver Attachment Mounting & Adjustment

(Please read and understand instructions before beginning installation)

Parts Required:

- (1) SPHA Receiver 1" OD
- (1) Rear Side Frame Top Tube
- (2) Clamp, Receiver 1" OD
- (2) SHCS 1/4 -28 x 1 1/4 ROHS
- (2) Washer, Flat Thin AN 1/4 ROHS
- (2) Nut Nylock Thin 1/4 -28 ROHS

Armrest Receiver Attachment Mounting

Fig. 1

- 1) Place (2) CLAMP, RECEIVERS over REAR SIDE FRAME TOP TUBE. Align with SPHA RECEIVER.

Fig. 2

- 2) Pinch both CLAMP, RECEIVERS together at SPHA RECEIVER side and insert into SPHA RECEIVER.

Fig. 3

- 3) Once inserted, pinch both CLAMP, RECEIVERS together on the far side of the SPHA RECEIVER.
- 4) Hold both CLAMP, RECEIVERS against REAR SIDE FRAME TOP TUBE and fasten with (2) SHCS 1/4 -28 x 1 1/4 ROHS, (2) WASHER FLAT THIN AN 1/4 ROHS, and (2) NUT NYLOCK THIN 1/4 -28 ROHS as shown.

Fig. 1

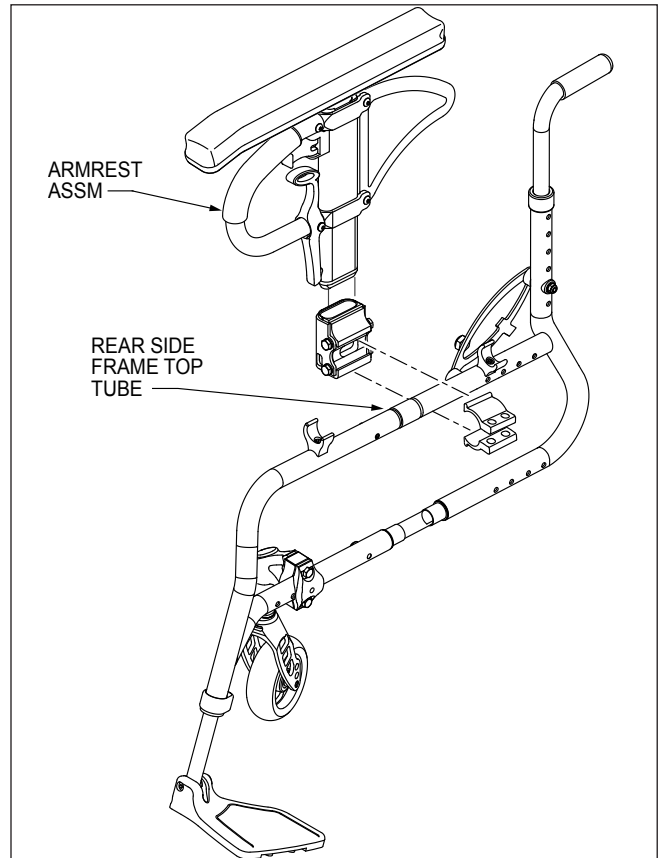


Fig. 2

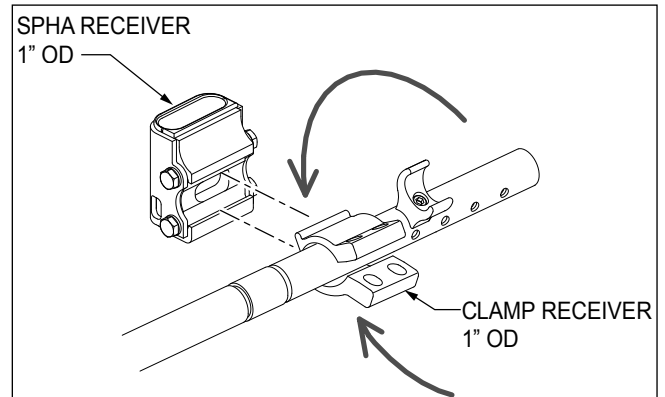
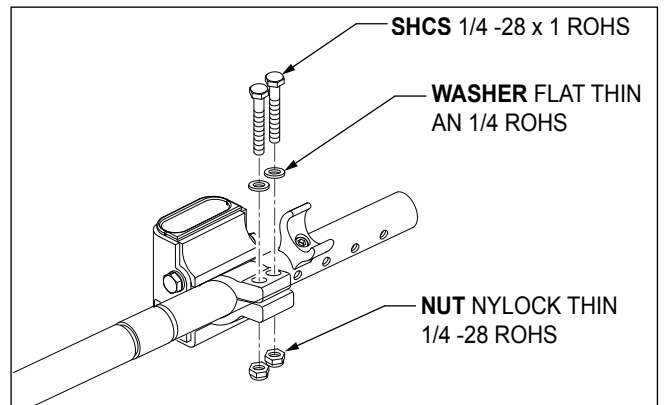


Fig. 3



INSTRUCTION SHEET

Armrest Receiver Attachment Mounting & Adjustment (Please read and understand instructions before beginning installation)

Adjustment:

Fig. 1

1) To adjust the fit of the Single Post Armrest in the receiver, loosen the 4 hex head bolts by using a 7/16" wrench.

Fig. 2

2) With the armrest assembly in the receiver, press firmly on the outside of the receiver.

3) Maintain pressure on the receiver and re-tighten two of the hex head bolts.

4) Remove the armrest assembly and re-tighten the remaining two hex head bolts.

5) The armrest will fit firmly in the receiver and lessen any noise that may result from vibration.

Fig. 1

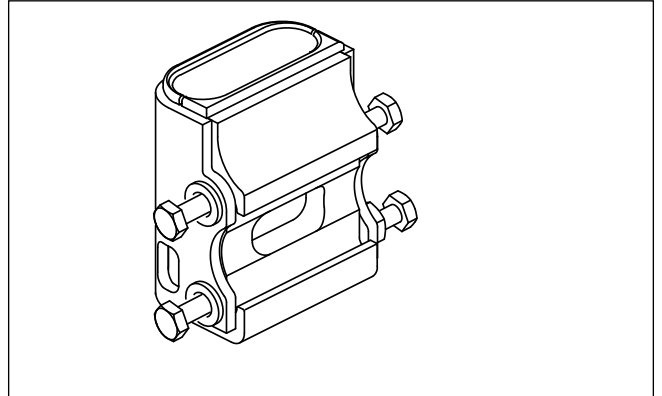


Fig. 2

