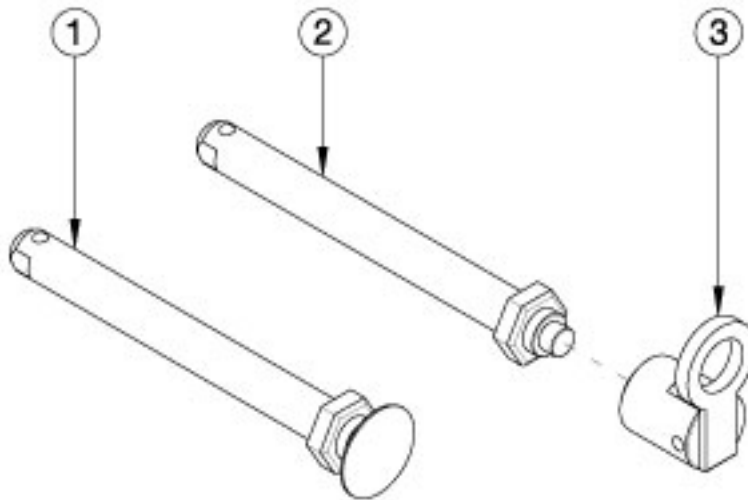


## Rogue2 Axles



Item Number	Part Number	Description	Quantity
1a	101108	Axle Quick Release w/ Button 1/2" x 99MM	1
1b	101182	Axle Quick Release w/ Button 1/2" x 104MM	1
1c	101191	Axle Quick Release w/ Button 1/2" x 110MM	1
2a, 3	113966	Axle Quick Release 1/2" x 99MM with Quad Quick Release Lever	1
2b, 3	113967	Axle Quick Release 1/2" x 104MM with Quad Quick Release Lever	1
2a	100755	Axle Quick Release 1/2" x 99MM	1
2b	100901	Axle Quick Release 1/2" x 104MM	1
3	100910	Quad Quick Release Lever	1

## Rogue2 Axle Reference

<b>Quick Release Axles</b>	
<b>Wheel</b>	<b>Receiver</b>
	<b>004179</b>
<i>X Core Mag</i>	101191
<i>MAXX Performance Spoke / MAXX Mag / Superlight / Spinergy</i>	101108
<i>Softwheel</i>	101182
<i>Quad Quick Release – MAXX Performance Spoke / Superlight</i>	100755
<i>Quad Quick Release – Softwheel</i>	100901

<b>Axle Part Numbers</b>	
<b>Push Pin Style</b>	<b>Push Button Style</b>
100755 (1/2" x 99mm)	101108 (1/2" x 99mm)
100901 (1/2" x 104mm)	101182 (1/2" x 104mm)
	101191 (1/2" x 110mm)

## **Rogue2 Axles and Receivers**

To find the appropriate axle, first establish the axle receiver according to the RECEIVERS section and then determine the axle using the AXLES section.

### **RECEIVERS**

Receiver: 004179

Description: Axle Sleeve 16mm x 1.0 x 2" Long

Used On: Rogue2 and Rogue2 TTL

### **AXLES**

004179 Receivers

X Core Mag – 101191

MAXX Performance Spoke, MAXX Mag, Superlight, Spinergy wheels – 101108

Softwheel wheels - 101182

Quad Quick Release (MAXX Performance Spoke, Superlight wheels) – 100755

Quad Quick Release (Softwheel wheels) – 100901

# Quick Release Axle Measuring Guide

**To identify which axle you have:** Set your axle on the printed copy of this page (do not scale when printing) or take the measurement as shown and locate which overall dimension matches that of the axle you have.

**Note:** The overall length is not the same as the "useable length" which is the length used in the part description. Images of all axles are shown below.

