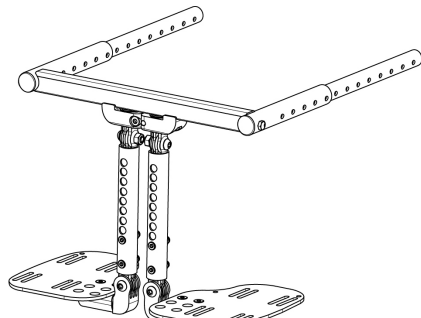


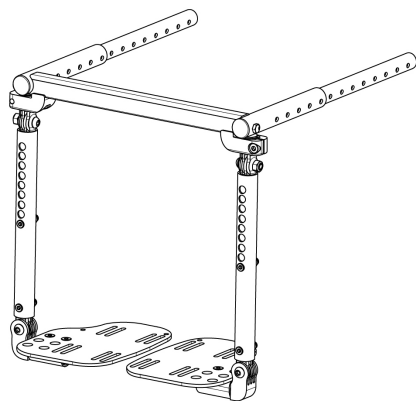
Contracture Footrest



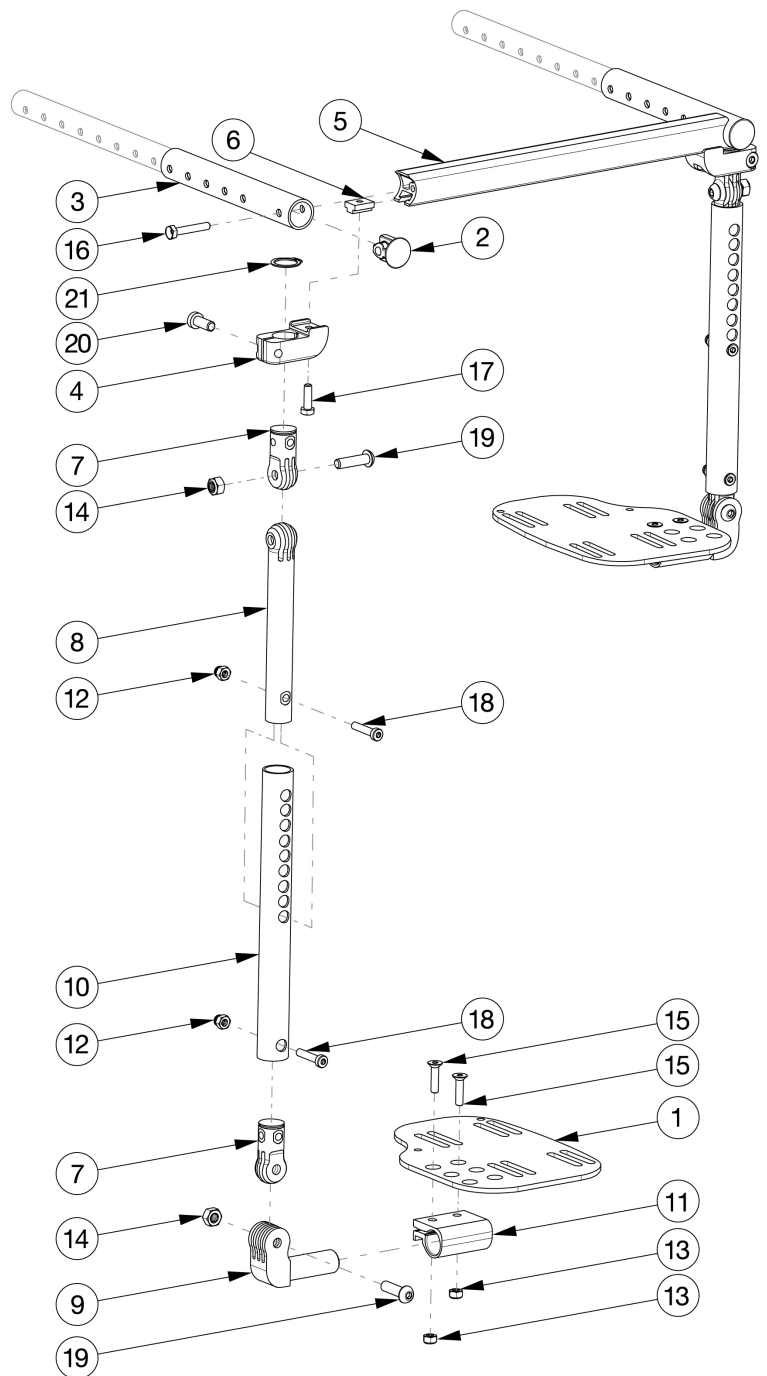
Part No.	Description	Dim A	Range
003797	Tube, Ext, Contr, Sht	6.5"	10" - 13.5"
003798	Tube, Ext, Contr, Med	9.5"	11.5" - 15.5"
003799	Tube, Ext, Contr, Long	12.5"	14" - 18"



Center Mount



Bilateral Mount



If retrofitting, the mount rail #5 (by chair width) and seat tubes #3 (by depth range) must be ordered in addition to the Contracture Footrest Assembly. The Contracture Mount Rail (#5) measures 1.5" shorter than the listed description width.

Item Number	Part Number	Description	Quantity
1b, 2, 4, 6-9, 10a, 11-21	107621	Contracture Footrest Assembly, 10-11", Short Extension, Right	1
1d, 2, 4, 6-9, 10a, 11-21	107622	Contracture Footrest Assembly, 12-13", Short Extension, Right	1

Item Number	Part Number	Description	Quantity
1f, 2, 4, 6-9, 10a, 11-21	107623	Contracture Footrest Assembly, 14-15", Short Extension, Right	1
1h, 2, 4, 6-9, 10a, 11-21	107624	Contracture Footrest Assembly, 16-17", Short Extension, Right	1
1j, 2, 4, 6-9, 10a, 11-21	107625	Contracture Footrest Assembly, 18-24", Short Extension, Right	1
1b, 2, 4, 6-9, 10b, 11-21	107626	Contracture Footrest Assembly, 10-11", Medium Extension, Right	1
1d, 2, 4, 6-9, 10b, 11-21	107627	Contracture Footrest Assembly, 12-13", Medium Extension, Right	1
1f, 2, 4, 6-9, 10b, 11-21	107628	Contracture Footrest Assembly, 14-15", Medium Extension, Right	1
1h, 2, 4, 6-9, 10b, 11-21	107629	Contracture Footrest Assembly, 16-17", Medium Extension, Right	1
1j, 2, 4, 6-9, 10b, 11-21	107630	Contracture Footrest Assembly, 18-24", Medium Extension, Right	1
1b, 2, 4, 6-9, 10c, 11-21	107631	Contracture Footrest Assembly, 10-11", Long Extension, Right	1
1d, 2, 4, 6-9, 10c, 11-21	107632	Contracture Footrest Assembly, 12-13", Long Extension, Right	1
1f, 2, 4, 6-9, 10c, 11-21	107633	Contracture Footrest Assembly, 14-15", Long Extension, Right	1
1h, 2, 4, 6-9, 10c, 11-21	107634	Contracture Footrest Assembly, 16-17", Long Extension, Right	1
1j, 2, 4, 6-9, 10c, 11-21	107635	Contracture Footrest Assembly, 18-24", Long Extension, Right	1
1a, 2, 4, 6-9, 10a, 11-21	107636	Contracture Footrest Assembly, 10-11", Short Extension, Left	1
1c, 2, 4, 6-9, 10a, 11-21	107637	Contracture Footrest Assembly, 12-13", Short Extension, Left	1
1e, 2, 4, 6-9, 10a, 11-21	107638	Contracture Footrest Assembly, 14-15", Short Extension, Left	1
1g, 2, 4, 6-9, 10a, 11-21	107639	Contracture Footrest Assembly, 16-17", Short Extension, Left	1
1i, 2, 4, 6-9, 10a, 11-21	107640	Contracture Footrest Assembly, 18-24", Short Extension, Left	1
1a, 2, 4, 6-9, 10b, 11-21	107641	Contracture Footrest Assembly, 10-11", Medium Extension, Left	1
1c, 2, 4, 6-9, 10b, 11-21	107642	Contracture Footrest Assembly, 12-13", Medium Extension, Left	1
1e, 2, 4, 6-9, 10b, 11-21	107643	Contracture Footrest Assembly, 14-15", Medium Extension, Left	1
1g, 2, 4, 6-9, 10b, 11-21	107644	Contracture Footrest Assembly, 16-17", Medium Extension, Left	1
1i, 2, 4, 6-9, 10b, 11-21	107645	Contracture Footrest Assembly, 18-24", Medium Extension, Left	1
1a, 2, 4, 6-9, 10c, 11-21	107646	Contracture Footrest Assembly, 10-11", Long Extension, Left	1
1c, 2, 4, 6-9, 10c, 11-21	107647	Contracture Footrest Assembly, 12-13", Long Extension, Left	1
1e, 2, 4, 6-9, 10c, 11-21	107648	Contracture Footrest Assembly, 14-15", Long Extension, Left	1
1g, 2, 4, 6-9, 10c, 11-21	107649	Contracture Footrest Assembly, 16-17", Long Extension, Left	1

Item Number	Part Number	Description	Quantity
1i, 2, 4, 6-9, 10c, 11-21	107650	Contracture Footrest Assembly, 18-24", Long Extension, Left	1
1a-1b, 2, 4, 6-9, 10a, 11-21	107651	Contracture Footrest Assembly, 10-11", Short Extension, PAIR	1
1c-1d, 2, 4, 6-9, 10a, 11-21	107652	Contracture Footrest Assembly, 12-13", Short Extension, PAIR	1
1e-1f, 2, 4, 6-9, 10a, 11-21	107653	Contracture Footrest Assembly, 14-15", Short Extension, PAIR	1
1g-1h, 2, 4, 6-9, 10a, 11-21	107654	Contracture Footrest Assembly, 16-17", Short Extension, PAIR	1
1i-1j, 2, 4, 6-9, 10a, 11-21	107655	Contracture Footrest Assembly, 18-24", Short Extension, PAIR	1
1a-1b, 2, 4, 6-9, 10b, 11-21	107656	Contracture Footrest Assembly, 10-11", Medium Extension, PAIR	1
1c-1d, 2, 4, 6-9, 10b, 11-21	107657	Contracture Footrest Assembly, 12-13", Medium Extension, PAIR	1
1e-1f, 2, 4, 6-9, 10b, 11-21	107658	Contracture Footrest Assembly, 14-15", Medium Extension, PAIR	1
1g-1h, 2, 4, 6-9, 10b, 11-21	107659	Contracture Footrest Assembly, 16-17", Medium Extension, PAIR	1
1i-1j, 2, 4, 6-9, 10b, 11-21	107660	Contracture Footrest Assembly, 18-24", Medium Extension, PAIR	1
1a-1b, 2, 4, 6-9, 10c, 11-21	107661	Contracture Footrest Assembly, 10-11", Long Extension, PAIR	1
1c-1d, 2, 4, 6-9, 10c, 11-21	107662	Contracture Footrest Assembly, 12-13", Long Extension, PAIR	1
1e-1f, 2, 4, 6-9, 10c, 11-21	107663	Contracture Footrest Assembly, 14-15", Long Extension, PAIR	1
1g-1h, 2, 4, 6-9, 10c, 11-21	107664	Contracture Footrest Assembly, 16-17", Long Extension, PAIR	1
1i-1j, 2, 4, 6-9, 10c, 11-21	107665	Contracture Footrest Assembly, 18-24", Long Extension, PAIR	1
1a	001304	Footplate Angle Adjustable 10-11" Wide CAT/TILT Left	1
1b	001305	Footplate Angle Adjustable 10-11" Wide CAT/TILT Right	1
1c	001306	Footplate Angle Adjustable 12-13" Wide CAT/TILT Left	1
1d	001307	Footplate Angle Adjustable 12-13" Wide CAT/TILT Right	1
1e	000105	Footplate Angle Adjustable 14-15" Wide CAT/TILT Left (Std ELR Right)	1
1f	000106	Footplate Angle Adjustable 14-15" Wide CAT/TILT Right (Std ELR Left)	1
1g	000107	Footplate Angle Adjustable 16-17" Wide CAT/TILT Left (Std ELR Right)	1
1h	000108	Footplate Angle Adjustable 16-17" Wide CAT/TILT Right (Std ELR Left)	1
1i	000109	Footplate Angle Adjustable 18-24" Wide CAT/TILT Left (Std ELR Right)	1
1j	000110	Footplate Angle Adjustable 18-24" Wide CAT/TILT Right (Std ELR Left)	1
2	001028	Tube Plug 1" x .824"	1

Item Number	Part Number	Description	Quantity
3a	003776	Seat Tube, Contracture, Short	1
3b	003777	Seat Tube, Contracture, Medium	1
3c	003778	Seat Tube, Contracture, Long	1
2, 3a, 16	109290	Seat Tube, Contracture, Short with Plug	1
2, 3b, 16	109291	Seat Tube, Contracture, Medium with Plug	1
2, 3c, 16	109292	Seat Tube, Contracture, Long with Plug	1
4	003779	Mount, Slide, Contracture	1
4, 6, 17, 20, 21	109293	Mount Slide, Contracture, with Hardware Kit	1
5a	003780	Mount Rail, Contracture, 10W	1
5b	003781	Mount Rail, Contracture, 11W	1
5c	003782	Mount Rail, Contracture, 12W	1
5d	003783	Mount Rail, Contracture, 13W	1
5e	003784	Mount Rail, Contracture, 14W	1
5f	003785	Mount Rail, Contracture, 15W	1
5g	003786	Mount Rail, Contracture, 16W	1
5h	003787	Mount Rail, Contracture, 17W	1
5i	003788	Mount Rail, Contracture, 18W	1
5j	003789	Mount Rail, Contracture, 19W	1
5k	003790	Mount Rail, Contracture, 20W	1
5l	003791	Mount Rail, Contracture, 21W	1
5m	003792	Mount Rail, Contracture, 22W	1
5n	112562	Mount Rail, Contracture, 23W	1
5o	112563	Mount Rail, Contracture, 24W	1
6	003793	T-Nut, M6	1
7	003794	Pivot, Short, Contracture	2
8	003795	Pivot, Long, Contracture	1
9	003796	Pivot, Foot, Contracture	1
10a	003797	Tube, Extension, Contracture, Short	1

Item Number	Part Number	Description	Quantity
10b	003798	Tube, Extension, Contracture, Medium	1
10c	003799	Tube, Extension, Contracture, Long	1
11	100502	Angle Adj Footplate Clamp 2"	1
12	100558	M6 Nyl Ins Domed Cap L/N Zc	2
13	100658	M6 Nylock Nut Blk Zn	2
14	100659	M8 Nylock Nut Blk Zn	2
15	100662	M6 x 25 FSHCS BLK ZC	2
16	100860	M6 X 35 Hhcs P/Thd Zc	1
17	101823	M6 X 20 Hhcs Blk Zn	1
18	102626	M6 X 30 LHCS BLK ZC	2
19	103551	BHCS, M8 x 1.25 x 30 BLZ	2
20	103552	SHCS, Low, M8 x 1.25 x 20, BLZ	1
21	103568	Retaining Ring, 21mm	1