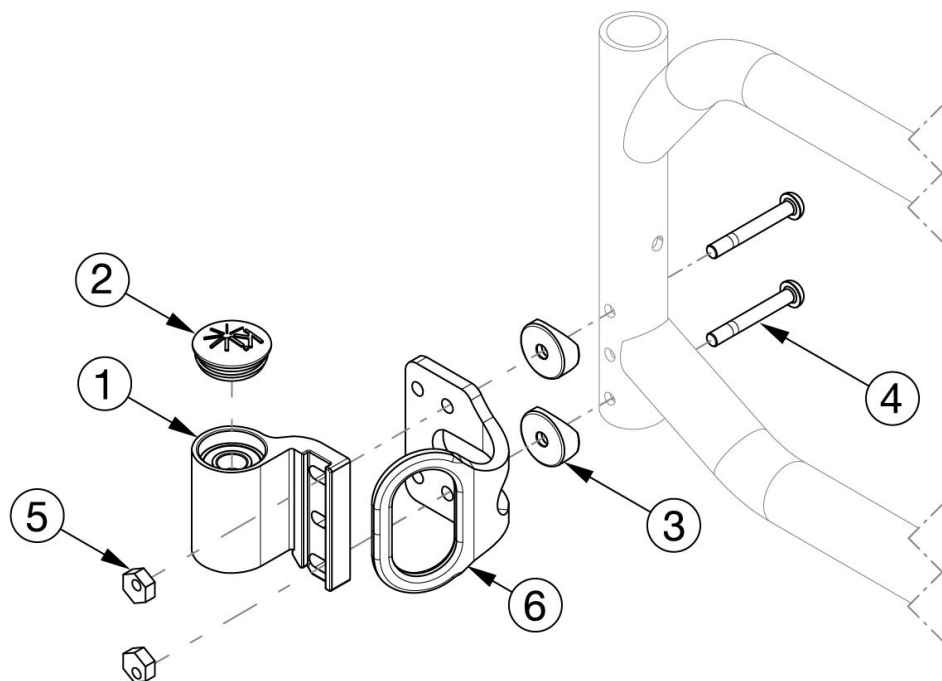
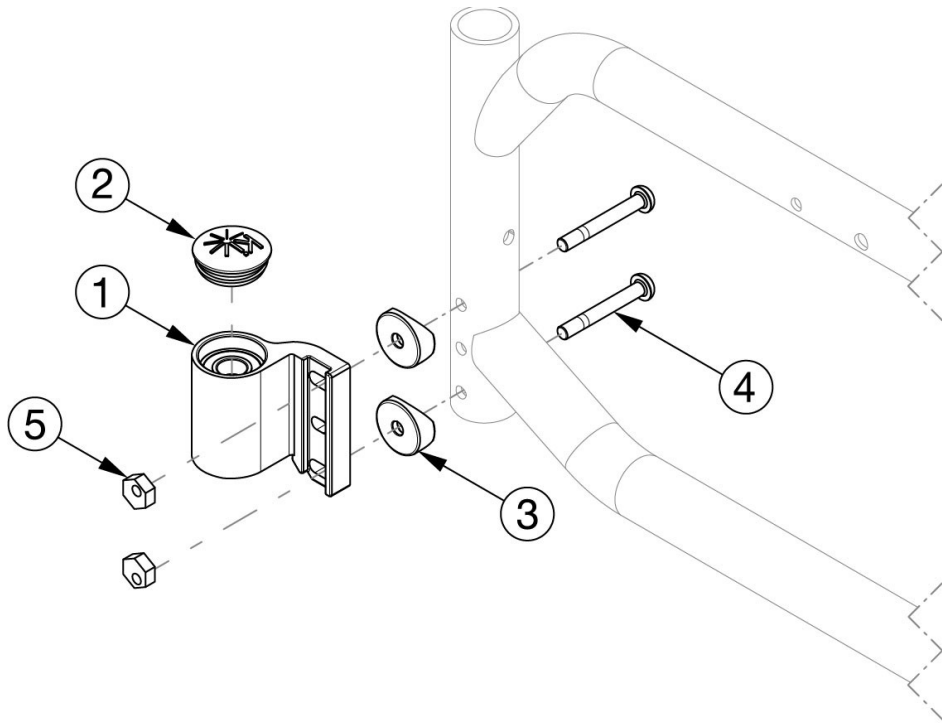


# Catalyst E Caster Housing - Super Low



Reference order form for detailed front seat height matrix.

<b>Item Number</b>	<b>Part Number</b>	<b>Description</b>	<b>Quantity</b>	<b>Retail</b>
2	102005	Ki Caster Housing Cap	1	\$1.17
3	000056	Saddle 1 1/8"	2	\$1.58
4	200367	M6 x 45 Custom Shouldered BHCS	2	\$1.64
5	100745	Eccentric nut (threaded)	2	\$1.33
6	000426	Front Transit Bracket CAT	1	\$62.08