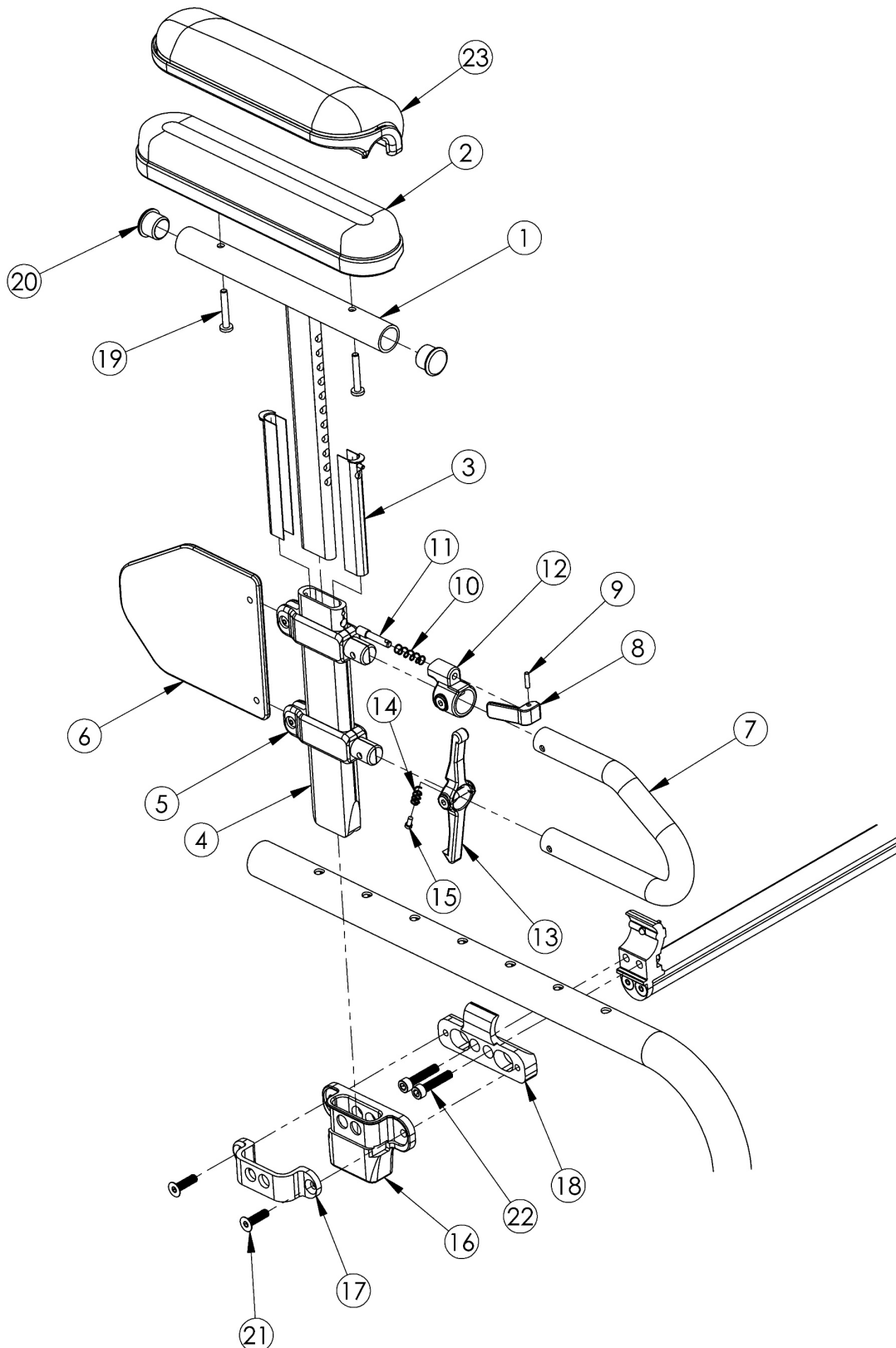


Discontinued Clik Height Adjustable T-Arm



Item Number	Part Number	Description	Quantity
1a, 3-5, 6, 7-15, 20	100238	Height Adj T Armrest Short Desk Right <i>Replaced with 003463</i>	1
1a, 3-5, 6, 7-15, 20	100242	Height Adj T Armrest Short Desk Left <i>Replaced with 003463</i>	1
1b, 3-5, 6, 7-15, 20	100239	Height Adj T Armrest Short Full Right <i>Replaced with 003464</i>	1
1b, 3-5, 6, 7-15, 20	100243	Height Adj T Armrest Short Full Left <i>Replaced with 003464</i>	1
1a, 2b, 3-5, 6, 7-15, 19, 20	501682	Height Adj T-Arm Assm Short Desk w/ Std Pad Left <i>Replaced with 505646</i>	1
1a, 2b, 3-5, 6, 7-15, 19, 20	501683	Height Adj T-Arm Assm Short Desk w/ Std Pad Right <i>Replaced with 505646</i>	1
1b, 2a, 3-5, 6, 7-15, 19, 20	501684	Height Adj T-Arm Assm Short Full w/ Std Pad Left <i>Replaced with 505644</i>	1
1b, 2a, 3-5, 6, 7-15, 19, 20	501685	Height Adj T-Arm Assm Short Full w/ Std Pad Right <i>Replaced with 505644</i>	1
1a, 2d, 3-5, 6, 7-15, 19, 20	501690	Height Adj T-Arm Assm Short Desk w/ Waterfall Pad Left <i>Replaced with 505650</i>	1
1a, 2d, 3-5, 6, 7-15, 19, 20	501691	Height Adj T-Arm Assm Short Desk w/ Waterfall Pad Right <i>Replaced with 505650</i>	1
1b, 2c, 3-5, 6, 7-15, 19, 20	501692	Height Adj T-Arm Assm Short Full w/ Waterfall Pad Left <i>Replaced with 505648</i>	1
1b, 2c, 3-5, 6, 7-15, 19, 20	501693	Height Adj T-Arm Assm Short Full w/ Waterfall Pad Right <i>Replaced with 505648</i>	1
16-18, 21, 22	502498	Height Adj T-Arm Receiver Assm CLIK	1
1a, 2b, 3-5, 6, 7-22	502499	Height Adj T-Arm Assm Short Desk w/ Std Pad and Receiver Left CLIK <i>Replaced with 506065</i>	1
1a, 2b, 3-5, 6, 7-22	502500	Height Adj T-Arm Assm Short Desk w/ Std Pad and Receiver Right CLIK <i>Replaced with 506065</i>	1
1b, 2a, 3-5, 6, 7-22	502501	Height Adj T-Arm Assm Short Full w/ Std Pad and Receiver Left CLIK <i>Replaced with 506067</i>	1
1b, 2a, 3-5, 6, 7-22	502502	Height Adj T-Arm Assm Short Full w/ Std Pad and Receiver Right CLIK <i>Replaced with 506067</i>	1
1a, 2d, 3-5, 6, 7-22	502507	Height Adj T-Arm Assm Short Desk w/ Waterfall Pad and Receiver Left CLIK <i>Replaced with 506069</i>	1

Item Number	Part Number	Description	Quantity
1a, 2d, 3-5, 6, 7-22	502508	Height Adj T-Arm Assm Short Desk w/ Waterfall Pad and Receiver Right CLIK <i>Replaced with 506069</i>	1
1b, 2c, 3-5, 6, 7-22	502509	Height Adj T-Arm Assm Short Full w/ Waterfall Pad and Receiver Left CLIK <i>Replaced with 506071</i>	1
1b, 2c, 3-5, 6, 7-22	502510	Height Adj T-Arm Assm Short Full w/ Waterfall Pad and Receiver Right CLIK <i>Replaced with 506071</i>	1
8-12	500541	Arm Height Adjustable T Upper Lever Assembly	1
1a, 20	000091	Height Adj T Armrest Upper Desk	1
1b, 20	000101	Height Adj T Armrest Upper Full	1
2a	100500	Arm Pad Full	1
2b	100501	Arm Pad Desk	1
3	000090	Height Adjustable T Armrest Shim	2
4	000089	Height Adjustable T Armrest Post	1
6	000097	Height Adj T Armrest Side Guard Short	1
7	000095	Height Adjustable T Armrest Transfer Tube	1
9	200257	Dowel Pin 1/8 x 1/2	1
10	000134	Height Adjustable Armrest Lever Spring	1
11	000099	Height Adjustable Armrest Lever Pin	1
12	000096	Height Adjustable T Armrest Pin Lock Housing	1
14	000135	Height Adjustable T Armrest Release Lever Spring	1
15	000152	Height Adjustable T Armrest Release Spring Button	1
16	002773	T-Arm Receiver Clik	1
17	002774	T-Arm Bracket Clik	1
18	002772	Standard T-Arm Mount Clik	1
19a	100696	M5 x 30mm PPH Capscrew <i>Used with Standard Arm Pads</i>	2
19b	100654	M5 x 40 DIN7985 PH Pan HD M/S ZC <i>Used with Waterfall Arm Pads</i>	2
20	100803	Tube End Plug 7/8"	2
21	102624	M6 X 22 FHCS BLK ZC	2

Item Number	Part Number	Description	Quantity
22	102627	M6 X 30 SHCS BLK ZC	2
23a	102452	Waterfall Arm Pad Full	1
23b	102521	Waterfall Arm Pad Desk	1