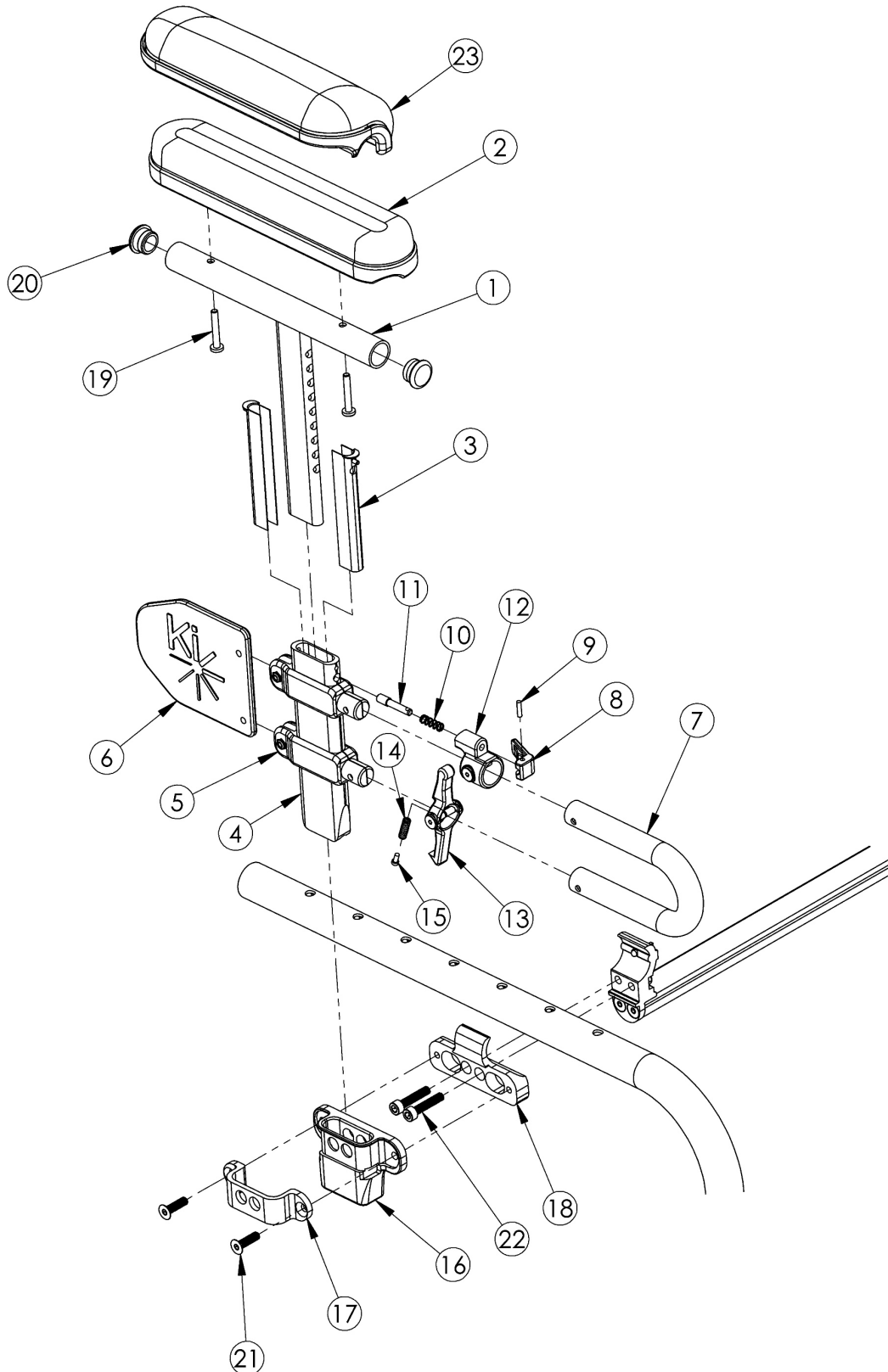


Clik Height Adjustable Low T-Arm



If retrofitting to Height Adjustable Low T-Arms and One Arm Drive is present, a new drive shaft may be required

Item Number	Part Number	Description	Quantity	Retail
1a, 2b, 3-18, 19a, 20-22	503245	Height Adj T-Arm Assm Low Desk w/ Receiver PAIR, Klik	1	\$640.65
1a, 2b, 3-18, 19a, 20-22	503242	Height Adj T-Arm Assm Low Desk w/ Receiver Right, Klik	1	\$320.33
1a, 2b, 3-18, 19a, 20-22	503241	Height Adj T-Arm Assm Low Desk w/ Receiver Left, Klik	1	\$320.33
1a, 2b, 3-15, 19a, 20	503167	Height Adj T-Arm Assm Low, Desk w/ Std Pad Right	1	\$160.81
1a, 2b, 3-15, 19a, 20	503168	Height Adj T-Arm Assm Low, Desk w/ Std Pad Left	1	\$160.81
1a, 2a, 3-18, 19a, 20-22	503246	Height Adj T-Arm Assm Low Full w/ Receiver PAIR, Klik	1	\$640.65
1a, 2a, 3-18, 19a, 20-22	503244	Height Adj T-Arm Assm Low Full w/ Receiver Right, Klik	1	\$320.33
1a, 2a, 3-18, 19a, 20-22	503243	Height Adj T-Arm Assm Low Full w/ Receiver Left, Klik	1	\$320.33
1b, 2a, 3-15, 19a, 20	503169	Height Adj T-Arm Assm Low, Full w/ Std Pad Right	1	\$160.81
1b, 2a, 3-15, 19a, 20	503170	Height Adj T-Arm Assm Low, Full w/ Std Pad Left	1	\$160.81
1a, 3-18, 19b, 20-22, 23b	503251	Height Adj T-Arm Assm Low Waterfall Desk w/ Receiver PAIR, Klik	1	\$659.16
1a, 3-18, 19b, 20-22, 23b	503248	Height Adj T-Arm Assm Low Waterfall Desk w/ Receiver Right, Klik	1	\$329.58
1a, 3-18, 19b, 20-22, 23b	503247	Height Adj T-Arm Assm Low Waterfall Desk w/ Receiver Left, Klik	1	\$329.58
1a, 3-15, 19b, 20, 23b	503183	Height Adj T-Arm Assm Low, Desk w/ Waterfall Pad Right	1	\$169.97
1a, 3-15, 19b, 20, 23b	503184	Height Adj T-Arm Assm Low, Desk w/ Waterfall Pad Left	1	\$169.97
1a, 3-18, 19b, 20-22, 23a	503252	Height Adj T-Arm Assm Low Waterfall Full w/ Receiver PAIR, Klik	1	\$659.16
1a, 3-18, 19b, 20-22, 23a	503250	Height Adj T-Arm Assm Low Waterfall Full w/ Receiver Right, Klik	1	\$329.58
1a, 3-18, 19b, 20-22, 23a	503249	Height Adj T-Arm Assm Low Waterfall Full w/ Receiver Left, Klik	1	\$329.58
1b, 3-15, 19b, 20, 23a	503185	Height Adj T-Arm Assm Low, Full w/ Waterfall Pad Right	1	\$169.97
1b, 3-15, 19b, 20, 23a	503186	Height Adj T-Arm Assm Low, Full w/ Waterfall Pad Left	1	\$169.97
1a, 3-15, 20	002681	Arm T Height Adj Low, Desk Right Assembly	1	\$134.01
1a, 3-15, 20	002682	Arm T Height Adj Low, Desk Left Assembly	1	\$134.01
1b, 3-15, 20	002683	Arm T Height Adj Low, Full Right Assembly	1	\$134.01
1b, 3-15, 20	002684	Arm T Height Adj Low, Full Left Assembly	1	\$134.01
16-18, 21, 22	502498	Height Adj T-Arm Receiver Assm CLIK	1	\$107.04
1a, 20	002648	Post Weldment, T-Arm, Low, Desk	1	\$67.08

Item Number	Part Number	Description	Quantity	Retail
1b, 20	002649	Post Weldment, T-Arm, Low, Full	1	\$69.35
2a	100500	Arm Pad Full	1	\$23.64
2b	100501	Arm Pad Desk	1	\$23.64
3	000090	Height Adj T Armrest Shim	2	\$2.55
4	002105	Tube, Outer, T-Arm, Low	1	\$29.62
5	000092	Height Adj T Armrest Clamp	2	\$8.97
6	002107	Sideguard, T-Arm, Low	1	\$8.10
7	002104	Transfer Tube, T-Arm, Low	1	\$16.81
8	000098	Height Adj Armrest Lever	1	\$3.58
9	200257	Dowel Pin 1/8 x 1/2	1	\$2.63
10	000134	Height Adj Armrest Lever Spring	1	\$1.11
11	000099	Height Adj Armrest Lever Pin	1	\$19.13
12	000096	Height Adj T Armrest Pin Lock Housing	1	\$14.71
13	002106	Lever, T-Arm, Low	1	\$3.47
14	000135	Height Adj T Armrest Release Lever Spring	1	\$1.09
15	000152	Height Adj T Armrest Release Spring Button	1	\$1.09
16	002773	T-Arm Receiver Klik	1	\$16.09
17	002774	T-Arm Bracket Klik	1	\$22.51
18	002772	Standard T-Arm Mount Klik	1	\$65.39
19a	100696	M5 x 30mm PPH Capscrew <i>Used with Standard Arm Pads</i>	2	\$1.58
19b	100654	M5 x 40 DIN7985 PH Pan HD M/S ZC <i>Used with Waterfall Arm Pads</i>	2	\$1.58
20	100803	Tube End Plug 7/8"	2	\$1.58
21	102624	M6 X 22 FHCS BLK ZC	2	\$1.05
22	102627	M6 X 30 SHCS BLK ZC	2	\$1.05
23a	102452	Waterfall Arm Pad Full	1	\$32.80
23b	102521	Waterfall Arm Pad Desk	1	\$32.80
8-12	500541	Arm Height Adj T Upper Lever Assembly	1	\$40.56

CLIK		REAR SEAT HEIGHT																	
		11.5	12	12.5	13	13.5	14	14.5	15	15.5	16	16.5	17	17.5	18	18.5	19	19.5	20
WHEEL DIAMETER	18			X	X	X	X	X	X	X	X	X	X	X					
	20							X	X	X	X	X	X	X	X	X	X	X	
	22											X	X	X	X	X	X	X	X
	24															X	X	X	X

X = Low T-Arms are Available

Low T-Arm availability may change depending on chair configuration

See Order Form for Additional No-Go's