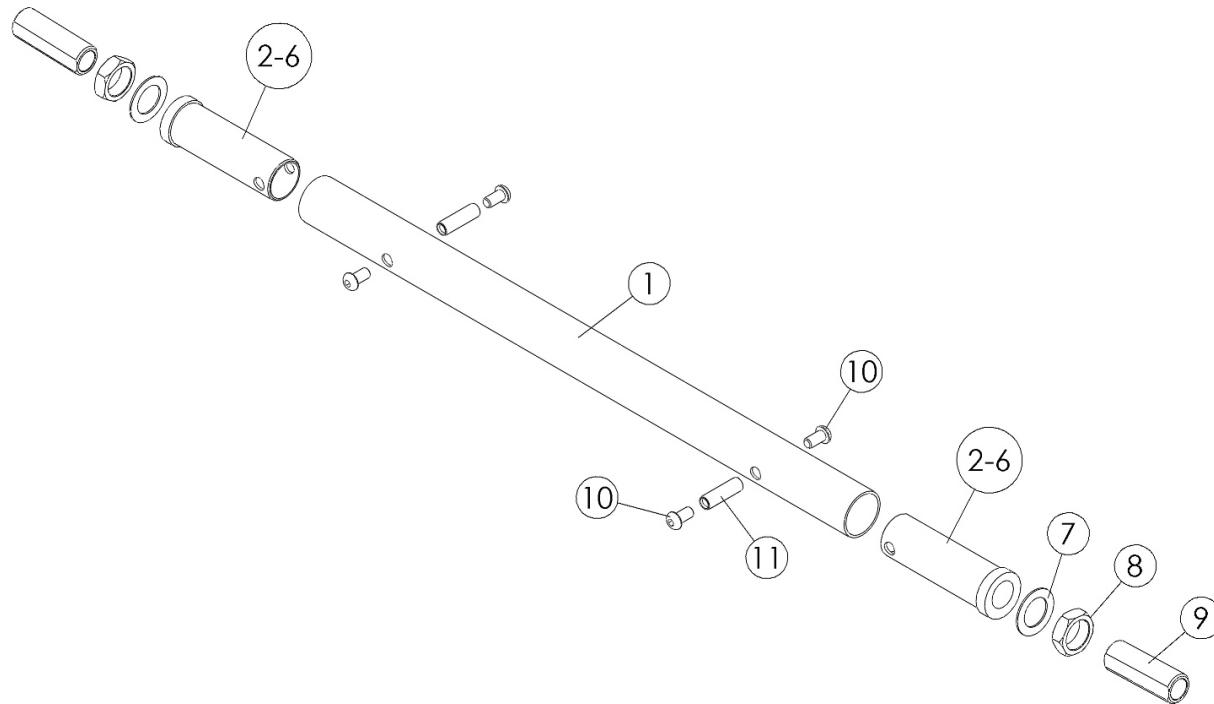


# Rogue XP Camber Tube and Adapters



*Black Camber Tube kits based on seat width. Color Anodized Camber Tube kits used on all chair widths. <p>*

*New camber tube required when changing the degree of camber by more than 2 degrees. <p>*

*If wheelchair drive ready option is present, replacement parts need to be processed through Alber USA.*

| Item Number | Part Number | Description                     | Quantity | Retail   |
|-------------|-------------|---------------------------------|----------|----------|
| 1a          | 500720      | Camber Tube Rigid 10" Kit Black | 1        | \$176.47 |
| 1b          | 500721      | Camber Tube Rigid 11" Kit Black | 1        | \$176.47 |
| 1c          | 500722      | Camber Tube Rigid 12" Kit Black | 1        | \$176.47 |
| 1d          | 500723      | Camber Tube Rigid 13" Kit Black | 1        | \$176.47 |
| 1e          | 500724      | Camber Tube Rigid 14" Kit Black | 1        | \$176.47 |
| 1f          | 500725      | Camber Tube Rigid 15" Kit Black | 1        | \$176.47 |
| 1g          | 500726      | Camber Tube Rigid 16" Kit Black | 1        | \$176.47 |
| 1h          | 500727      | Camber Tube Rigid 17" Kit Black | 1        | \$176.47 |
| 1i          | 500728      | Camber Tube Rigid 18" Kit Black | 1        | \$176.47 |

| Item Number | Part Number | Description  | Quantity | Retail   |
|-------------|-------------|--|----------|----------|
| 1j          | 501749      | Camber Tube Rigid Blue Anodized  | 1        | \$190.93 |
| 1k          | 501750      | Camber Tube Rigid Bright Green Anodized  | 1        | \$190.93 |
| 1l          | 501751      | Camber Tube Rigid Orange Anodized  | 1        | \$190.93 |
| 1m          | 501752      | Camber Tube Rigid Pink Anodized  | 1        | \$190.93 |
| 1n          | 501753      | Camber Tube Rigid Pewter Anodized  | 1        | \$190.93 |
| 1o          | 501754      | Camber Tube Rigid Purple Anodized  | 1        | \$190.93 |
| 1p          | 501755      | Camber Tube Rigid Red Anodized   | 1        | \$190.93 |
| 1q          | 501756      | Camber Tube Rigid Gold Anodized  | 1        | \$190.93 |
| 2a          | 000252      | 0° Camber Adapter Rigid  | 2        | \$65.12  |
| 3a          | 000253      | 2° Camber Adapter Rigid  | 2        | \$65.12  |
| 4a          | 000254      | 4° Camber Adapter Rigid  | 2        | \$65.12  |
| 5a          | 000255      | 6° Camber Adapter Rigid  | 2        | \$65.12  |
| 6a          | 000256      | 8° Camber Adapter Rigid  | 2        | \$65.12  |
| 2b, 10, 11  | 113209      | 0° Camber Adapter Kit, Drum Brake<br><i>For complete drum brake adapter set up, see Rogue XP / Clik / Little Wave XP Drum Brake page</i> | 2        | \$75.86  |
| 3b, 10, 11  | 113210      | 2° Camber Adapter Kit, Drum Brake<br><i>For complete drum brake adapter set up, see Rogue XP / Clik / Little Wave XP Drum Brake page</i> | 2        | \$76.09  |
| 4b, 10, 11  | 113211      | 4° Camber Adapter Kit, Drum Brake<br><i>For complete drum brake adapter set up, see Rogue XP / Clik / Little Wave XP Drum Brake page</i> | 2        | \$76.33  |
| 5b, 10, 11  | 113212      | 6° Camber Adapter Kit, Drum Brake<br><i>For complete drum brake adapter set up, see Rogue XP / Clik / Little Wave XP Drum Brake page</i> | 2        | \$76.80  |
| 6b, 10, 11  | 113213      | 8° Camber Adapter Kit, Drum Brake<br><i>For complete drum brake adapter set up, see Rogue XP / Clik / Little Wave XP Drum Brake page</i> | 2        | \$77.28  |
| 7           | 100583      | Axle Plate Washer 18mm   | 2        | \$1.05   |
| 8           | 100514      | Axle Receiver Nut M18 x D12 x 8mm  | 2        | \$1.54   |
| 9           | 000985      | Axle Receiver with Flats M18 x 1/2" ID   | 2        | \$17.68  |
| 10          | 100667      | M6 x 12 BTN SHCS BLKZC w/Patch   | 4        | \$1.58   |
| 11          | 000066      | M6 x 27 Threaded Barrel  | 2        | \$4.46   |

# Color Anodizing Samples

