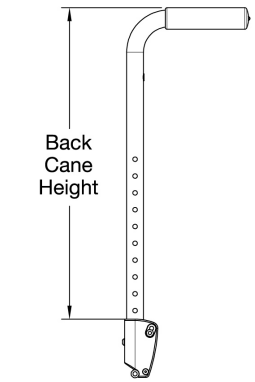
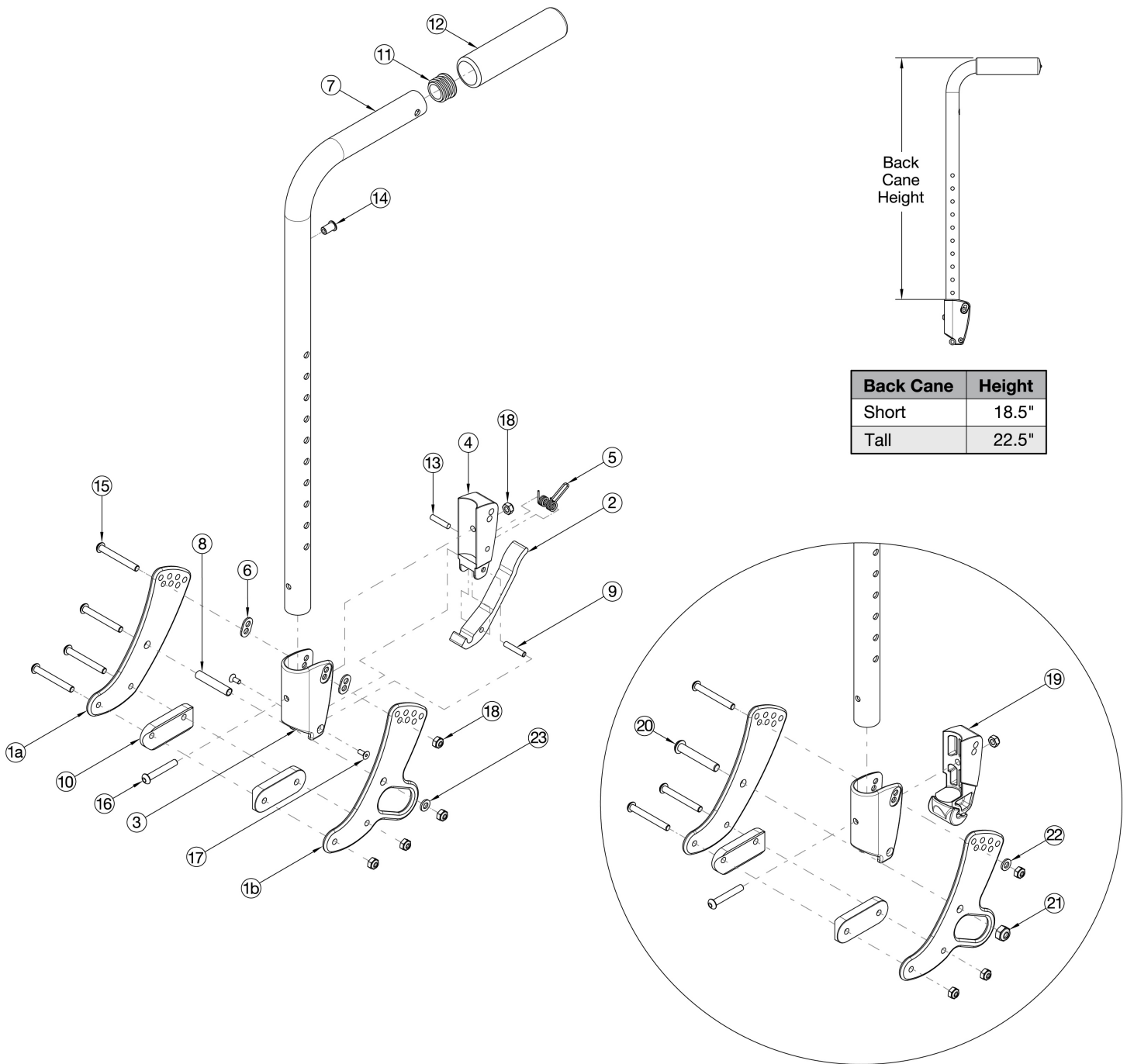


Focus CR Stroller Handle Backrest



Back Cane	Height
Short	18.5"
Tall	22.5"

Non-Folding

If changing from another style backrest or changing back cane height and the hand tilt is present, a new Hand Tilt Cable/Trigger Kit may be required. This design effective starting with serial numbers FCR0026599 and FCHD002333. If changing from another style and Drum Brake present, Brake Lever may be needed If serial number is prior to FCR0026599 and FCHD002333 and the hand tilt is present, a new hand tilt mechanism is required in addition to the back cane assemblies.

Item Number	Part Number	Description	Quantity
1a, 8, 10, 15, 18, 23	502675	Backrest Hardware Assembly, Single Side, Std Focus	1

Item Number	Part Number	Description	Quantity
1a, 1b, 8, 10, 15, 18, 23	502676	Backrest Hardware Assembly, Single Side, Transit Focus	1
1a, 10, 15, 18, 20-22	503102	Backrest Hardware Assembly, Single Side, Std Non-Folding Focus	1
1a, 1b, 10, 15, 18, 20-22	503103	Backrest Hardware Assembly, Single Side, Transit Non-Folding Focus	1
2-6, 7a, 9, 11, 12a, 13, 14, 16-18	506734	Back Cane Assembly w/ Latch Insert, Fixed Stroller, Short <i>Replaced assembly 503785</i>	2
2-6, 7b, 9, 11, 12a, 13, 14, 16-18	506735	Back Cane Assembly w/ Latch Insert, Fixed Stroller, Tall <i>Replaced assembly 503786</i>	2
2-6, 7a, 9, 12b, 13, 14, 16-18	506736	Back Cane Assembly w/ Latch Insert, Fixed Stroller, Short, Focus <i>Used with Stroller Handle Extensions; Replaced assembly 503792</i>	2
2-6, 7b, 9, 12b, 13, 14, 16-18	506737	Back Cane Assembly w/ Latch Insert, Fixed Stroller, Tall, Focus <i>Used with Stroller Handle Extensions; Replaced assembly 503793</i>	2
3, 7a, 11, 12a, 14, 16, 18, 19	506738	Back Cane Assembly w/ Latch Block, Fixed Stroller, Short, Non-Folding <i>Replaced assembly 503794</i>	2
3, 7b, 11, 12a, 14, 16, 18, 19	506739	Back Cane Assembly w/ Latch Block, Fixed Stroller, Tall, Non-Folding <i>Replaced assembly 503795</i>	2
3, 7a, 12b, 14, 16, 18, 19	506740	Back Cane Assembly w/ Latch Block, Fixed Stroller, Short, Non-Folding, Focus <i>Used with Stroller Handle Extensions; Replaced assembly 503796</i>	2
3, 7b, 12b, 14, 16, 18, 19	506741	Back Cane Assembly w/ Latch Block, Fixed Stroller, Tall, Non-Folding, Focus <i>Used with Stroller Handle Extensions; Replaced assembly 503797</i>	2
7a, 11, 12a, 14	506811	Stroller Handle Back Post with Grip Assembly, Short <i>If replacing a back cane from Discontinued 1 Stroller Handle Backrest, a Back Cane Assembly with Latch Insert or Back Cane Assembly with Latch Block must be ordered.</i>	1
7b, 11, 12a, 14	506812	Stroller Handle Back Post with Grip Assembly, Tall <i>If replacing a back cane from Discontinued 1 Stroller Handle Backrest, a Back Cane Assembly with Latch Insert or Back Cane Assembly with Latch Block must be ordered.</i>	1
7a, 12b, 14	506813	Backpost with Stroller Handle Extension Grip Assembly Short Fixed Height, Focus <i>Used with Stroller Handle Extensions. If replacing a back cane from Discontinued 1 Stroller Handle Backrest, a Back Cane Assembly with Latch Insert or Back Cane Assembly with Latch Block must be ordered.</i>	1
7b, 12b, 14	506814	Backpost with Stroller Handle Extension Grip Assembly Tall Fixed Height, Focus <i>Used with Stroller Handle Extensions. If replacing a back cane from Discontinued 1 Stroller Handle Backrest, a Back Cane Assembly with Latch Insert or Back Cane Assembly with Latch Block must be ordered.</i>	1

Item Number	Part Number	Description	Quantity
1a	001071	Back Plate Std TILT <i>Quantity of 4 used with non-transit. Quantity of 2 used with transit.</i>	2
1b	001421	Back Plate Transit Inner TILT <i>Quantity of 2 used with transit.</i>	1
2	001893	Latch Lever, Backrest	1
3, 6	503834	Cover Plate, Latch Insert Kit	1
4	001895	Latch Insert, Folding Backrest	1
5	001896	Spring, Backrest Latch	1
6	001897	Washer, Dual, PSA	2
8	002738	Spacer .313 OD x .243 ID x 1.68 long	1
9	002513	Threaded Barrel, 5mm OD x M4	1
10	002594	Saddle, Dual, 1" OD X 1.75 SP	2
11	100804	Tube End Plug 1"	1
13	102694	Dowel Pin, M5 X 24, Blk Zn	1
15	101781	M6 x 50mm Partial Thread BHCS Blk ZC	4
16	100797	M6 x 40 BHCS BLK ZC	1
17	101818	M4 x 10 FHCS BLKZC w/Patch	2
18	100658	M6 Nylock Nut Blk Zn	5
19	002035	Insert, Backrest, Non-Folding	1
20	101815	M8 x 50 BHCS Blk Zn	1
21	100659	M8 Nylock Nut Blk Zn	1
22	100746	M6 Flat Washer Blk Zn	1
23	101861	Nylon Washer 5/16 x 1/2 x .03	1