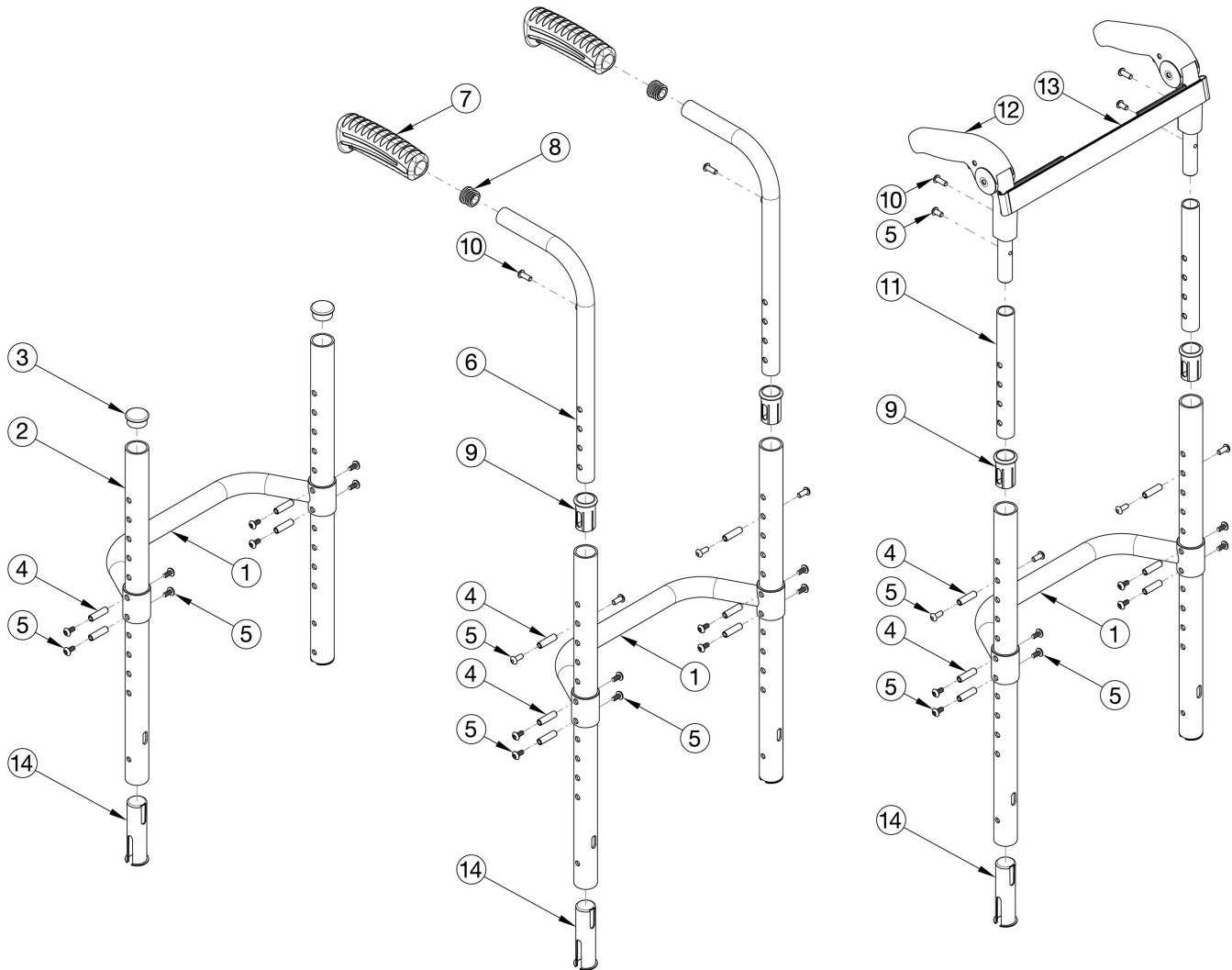


Rigid Fixed Height Back Post with Adjustable Height Rigidizer Bar



Utilize this page when retrofitting to the Rigid Locking Fold Down Back on a Rogue10, Rogue ALX or Ethos.

Item Number	Part Number	Description	Quantity
6a, 7a, 8	502602	Standard Push Handle Assembly, Short <i>Used for back height range of 11"-14"</i>	2
6b, 7a, 8	117064	Standard Push Handle Assembly, Medium <i>Used for back height 13"-17"</i>	2
6c, 7a, 8	117065	Standard Push Handle Assembly, Tall <i>Used for back height 17"-20"</i>	2
6d, 7b, 8	002758	Low Profile Push Handle Short Rigid <i>Used for back height range of 11"-14"</i>	2

Item Number	Part Number	Description	Quantity
6e, 7b, 8	117066	Low Profile Push Handle Assembly, Medium <i>Used for back height 13"-17"</i>	2
6f, 7b, 8	117067	Low Profile Push Handle Assembly, Tall <i>Used for back height 17'-20"</i>	2
5, 10, 11a, 12	117068	Fold Down Push Handle Assembly, Height Adjustable, Short <i>Comes with both 10a and 10b</i>	2
5, 10, 11b, 12	117069	Fold Down Push Handle Assembly, Height Adjustable, Medium <i>Comes with both 10a and 10b</i>	2
5, 10, 11c, 12	117070	Fold Down Push Handle Assembly, Height Adjustable, Tall <i>Comes with both 10a and 10b</i>	2
2c, 3 - 5, 14	117077	Fixed Height Back Post w/ Tube Sleeve and End Plug, 9" Back Height <i>Used with omit push handle</i>	1
2d, 3 - 5, 14	117078	Fixed Height Back Post w/ Tube Sleeve and End Plug, 10" Back Height <i>Used with omit push handle</i>	1
2e, 3 - 5, 14	117079	Fixed Height Back Post w/ Tube Sleeve and End Plug, 11" Back Height <i>Used with omit push handle</i>	1
2f, 3 - 5, 14	117080	Fixed Height Back Post w/ Tube Sleeve and End Plug, 12" Back Height <i>Used with omit push handle</i>	1
2g, 3 - 5, 14	117081	Fixed Height Back Post w/ Tube Sleeve and End Plug, 13" Back Height <i>Used with omit push handle</i>	1
2h, 3 - 5, 14	117082	Fixed Height Back Post w/ Tube Sleeve and End Plug, 14" Back Height <i>Used with omit push handle</i>	1
2i, 3 - 5, 14	117083	Fixed Height Back Post w/ Tube Sleeve and End Plug, 15" Back Height <i>Used with omit push handle</i>	1
2j, 3 - 5, 14	117084	Fixed Height Back Post w/ Tube Sleeve and End Plug, 16" Back Height <i>Used with omit push handle</i>	1
2k, 3 - 5, 14	117085	Fixed Height Back Post w/ Tube Sleeve and End Plug, 17" Back Height <i>Used with omit push handle</i>	1
2l, 3 - 5, 14	117086	Fixed Height Back Post w/ Tube Sleeve and End Plug, 18" Back Height <i>Used with omit push handle</i>	1
2a, 4 - 5, 9, 14	117087	Fixed Height Back Post w/ Sleeves, 6.1875" <i>Used with 9" back height and standard or low profile. Use with 12" back height and fold down push handle.</i>	1
2b, 4 - 5, 9, 14	117088	Fixed Height Back Post w/ Sleeves, 7.1875" <i>Used with 10" back height and standard or low profile. Use with 13" back height and fold down push handle.</i>	1
2c, 4 - 5, 9, 14	117089	Fixed Height Back Post w/ Sleeves, 8.1875"	1

Item Number	Part Number	Description	Quantity
		<i>Used with 11" back height and standard or low profile. Use with 14" back height and fold down push handle.</i>	
2d, 4 - 5, 9, 14	117090	Fixed Height Back Post w/ Sleeves, 9.1875" <i>Used with 12" back height and standard or low profile. Use with 15" back height and fold down push handle.</i>	1
2e, 4 - 5, 9, 14	117091	Fixed Height Back Post w/ Sleeves, 10.1875" <i>Used with 13" back height and standard or low profile. Use with 16" back height and fold down push handle.</i>	1
2f, 4 - 5, 9, 14	117092	Fixed Height Back Post w/ Sleeves, 11.1875" <i>Used with 14" back height and standard or low profile. Use with 17" back height and fold down push handle.</i>	1
2g, 4 - 5, 9, 14	117093	Fixed Height Back Post w/ Sleeves, 12.1875" <i>Used with 15" back height and standard or low profile. Use with 18" back height and fold down push handle.</i>	1
2h, 4 - 5, 9, 14	117094	Fixed Height Back Post w/ Sleeves, 13.1875" <i>Used with 16" back height and standard or low profile.</i>	1
2i, 4 - 5, 9, 14	117095	Fixed Height Back Post w/ Sleeves, 14.1875" <i>Used with 17" back height and standard or low profile.</i>	1
2j, 4 - 5, 9, 14	117096	Fixed Height Back Post w/ Sleeves, 15.1875" <i>Used with 18" back height and standard or low profile.</i>	1
1a	000527	Adjustable Height Rigidizer Bar 12" Wide	1
1b	000528	Adjustable Height Rigidizer Bar 13" Wide	1
1c	000185	Adjustable Height Rigidizer Bar 14" Wide	1
1d	000186	Adjustable Height Rigidizer Bar 15" Wide	1
1e	000187	Adjustable Height Rigidizer Bar 16" Wide	1
1f	000188	Adjustable Height Rigidizer Bar 17" Wide	1
1g	000189	Adjustable Height Rigidizer Bar 18" Wide	1
1h	000190	Adjustable Height Rigidizer Bar 19" Wide	1
1i	000191	Adjustable Height Rigidizer Bar 20" Wide	1
2l	115328	Fixed Height Backtube, 17.1875"	1
3	100804	Tube End Plug 1"	1
4	000073	M5 x 24 Threaded Barrel	2
5	103524	M5 x 10 BTN SHCS BLK ZN	8
7a	109432	Ergo Push Handle Grip 3/4" Standard with Instruction	1

Item Number	Part Number	Description	Quantity
7b	109430	Ergo Push Handle Grip 3/4" Low Profile with Instruction	1
9	000034	Sleeve 3/4" x 1 1/2"	2
10a	100734	M5 x 16 PHMS ZC <i>Used to attach Fold Down Push Handle</i>	1
10b	101843	M5 x 20 SHCS Blk Zn <i>Used to attach upholstery</i>	1
12	001735	Folding Handle Assembly Rigid <i>This is to replace an existing Fold Down Push Handle. Includes 100734 and 101843</i>	1
13a	001749	Tension Strap Folding Handle 12-13 Wide	1
13b	001750	Tension Strap Folding Handle 14-15 Wide	1
13c	001751	Tension Strap Folding Handle 16-17 Wide	1
13d	001752	Tension Strap Folding Handle 18-19 Wide	1
13e	001753	Tension Strap Folding Handle 20-22 Wide	1
14	115540	Tube Sleeve	2