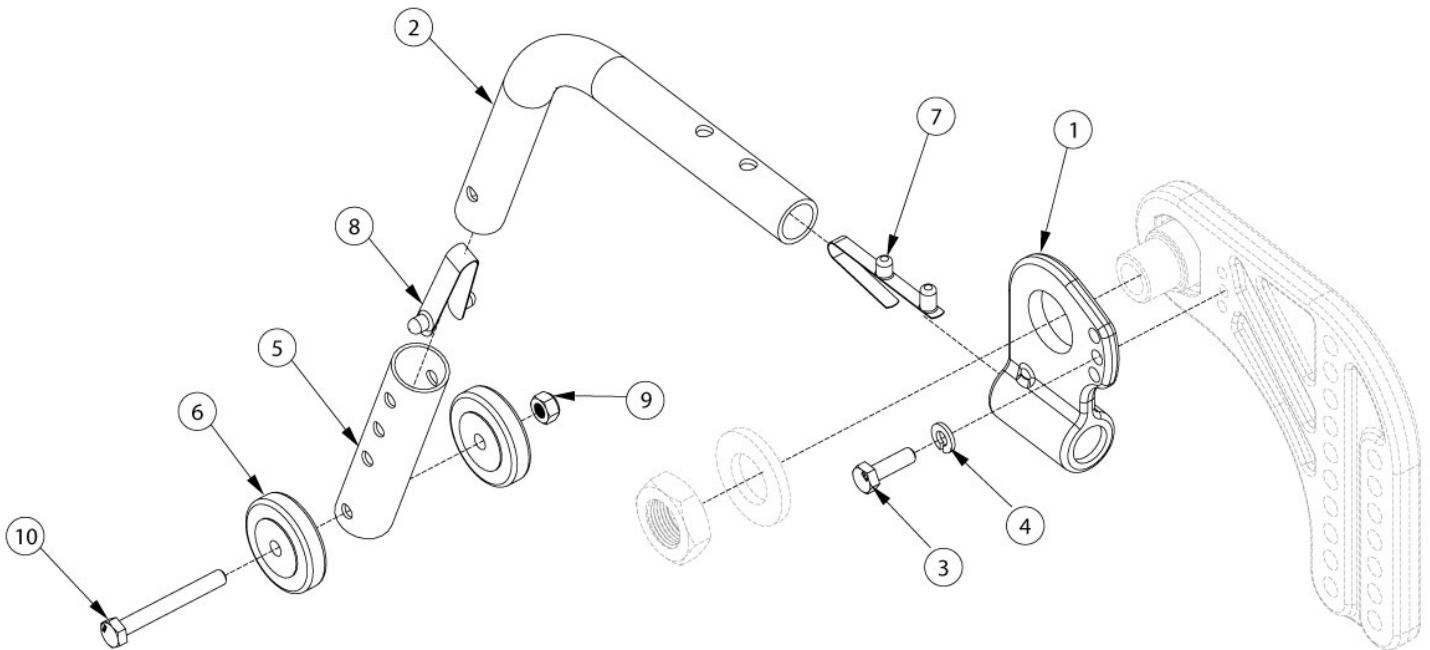


Liberty Rear Anti-Tip



If retrofitting, Anti-Tip Receivers will be needed.

Item Number	Part Number	Description	Quantity
2a, 5a, 6-10	004076	Anti-Tip Assembly, 12", Liberty / Arc	1
2a, 5b, 6-10	004077	Anti-Tip Assembly, 16", Liberty / Arc	1
2b, 5a, 6-10	004078	Anti-Tip Assembly, 20", Liberty / Arc	1
2b, 5b, 6-10	004079	Anti-Tip Assembly, 22-24" Liberty / 16" Arc	1
1	003332	Receiver, Anti-Tip	1
2a	003446	Anti-Tip Tube for 12-16" Wheels	1
2b	003447	Anti-Tip Tube for 20-24" Wheels	1
3	101823	M6 x 20 HHCS Blk Zn	1
4	101835	M6 Lock Washer Blk Zn	1
5a, 6, 9, 10	112366	Extension Assembly, Anti-Tip, Short <i>Commonly used with 12" and 20" wheels</i>	1
5b, 6, 9, 10	112365	Extension Assembly, Anti-Tip, Long <i>Commonly used with 16", 22" and 24" wheels</i>	1
7	100533	Detent Button	1

Item Number	Part Number	Description	Quantity
8	100534	Detent Button Lower	1