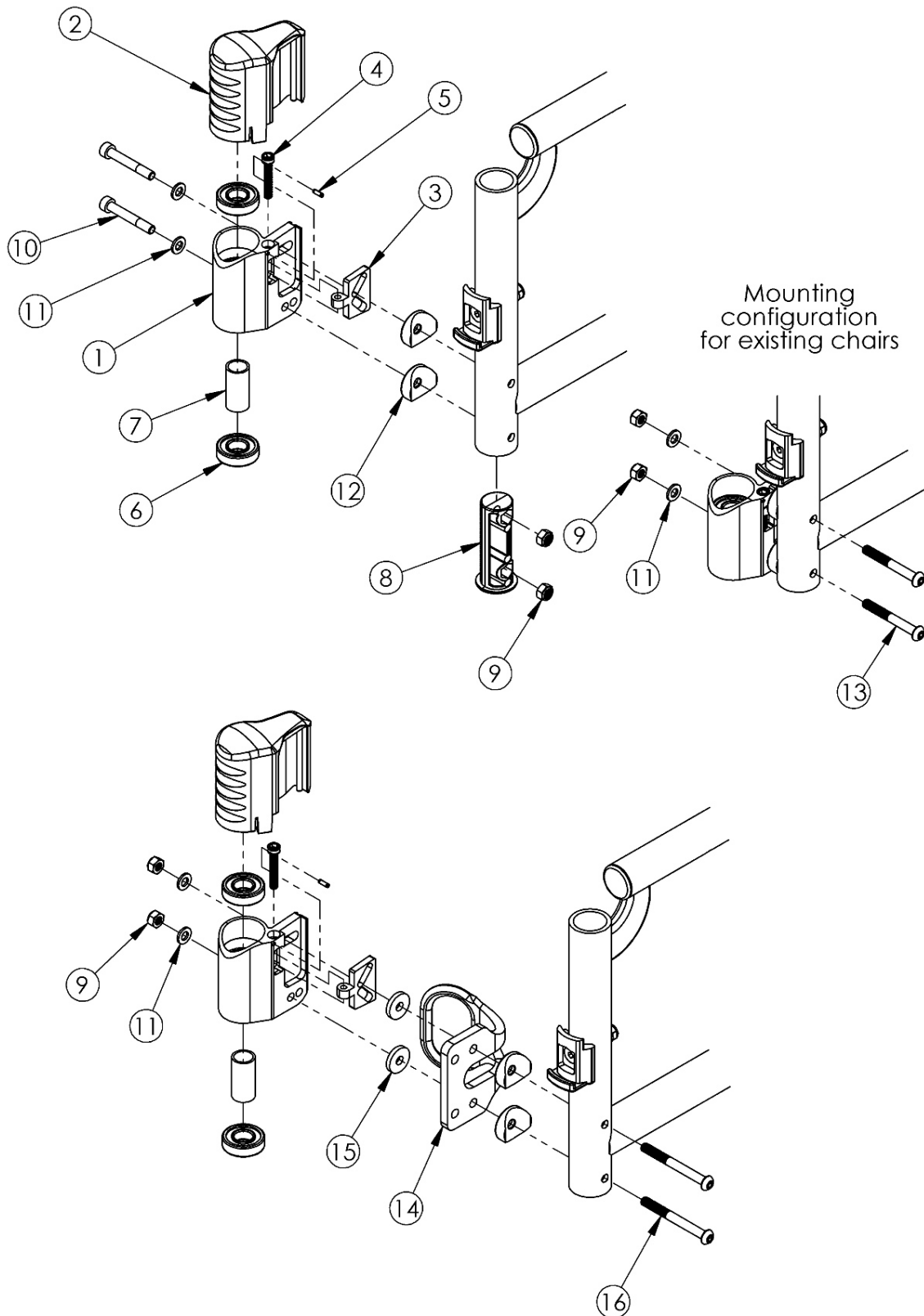


# Spark Performance Caster Housing for Swing Away Frame



Please Note: The shown orientation of the caster housing above is in the "Forward" position. If only 1 side caster housing is needed, customer must confirm the orientation of the caster housing.

Item Number	Part Number	Description	Quantity
1a, 2a, 3 - 12, 14	502426	Retro Fit Performance Caster Housing Kit Right	1
1b, 2b, 3 - 12, 14	502427	Retro Fit Performance Caster Housing Kit Left	1
1a, 1b, 2a, 2b, 3 - 12, 14	502428	Retro Fit Performance Caster Housing Kit PAIR	1
1a, 2a, 3-7, 9, 11, 12, 15-17	502429	Performance Caster Housing Kit for Transit Right	1
1b, 2b, 3-7, 9, 11, 12, 15-17	502430	Performance Caster Housing Kit for Transit Left	1
1a, 1b, 2a, 2b, 3-7, 9, 11, 12, 15-17	502431	Performance Caster Housing Kit for Transit PAIR	1
1a, 2a, 3 - 12	502414	Performance Caster Housing Kit Right	1
1b, 2b, 3 - 12	502415	Performance Caster Housing Kit Left	1
1a, 1b, 2a, 2b, 3 - 12	502416	Performance Caster Housing Kit PAIR	1
1a, 3, 4, 5	502522	Caster Barrel RP Right w/ Adjustment Plate CAT	1
1b, 3, 4, 5	502523	Caster Barrel RP Left w/ Adjustment Plate CAT	1
2a	002442	Cover Caster Barrel Right CAT	1
2b	002443	Cover Caster Barrel Left CAT	1
6	100902	Bearing 1 1/8" x 1/2" R8RS	2
7	002447	Spacer Caster Barrel	1
8	002478	Front Frame Plug CAT	1
9	100658	M6 Nylock Nut Blk Zn	2
10	002575	M6 X 1.0 X 40 MM SHCS Blk	2
11	100746	M6 Flat Washer Blk Zn	2
12	000056	Saddle 1 1/8"	2
14	101781	M6 x 50mm Partial Thread BHCS Blk ZC	2
16	102814	Washer Nylon 1/4 x 3/4 x 1/8	2
17	101126	M6 x 60 BTN SHCS BLKZC	2
1a, 6, 7	002888	RP Tuning Caster Barrel w/ Bearings Right	1
1b, 6, 7	002889	RP Tuning Caster Barrel w/ Bearings Left	1