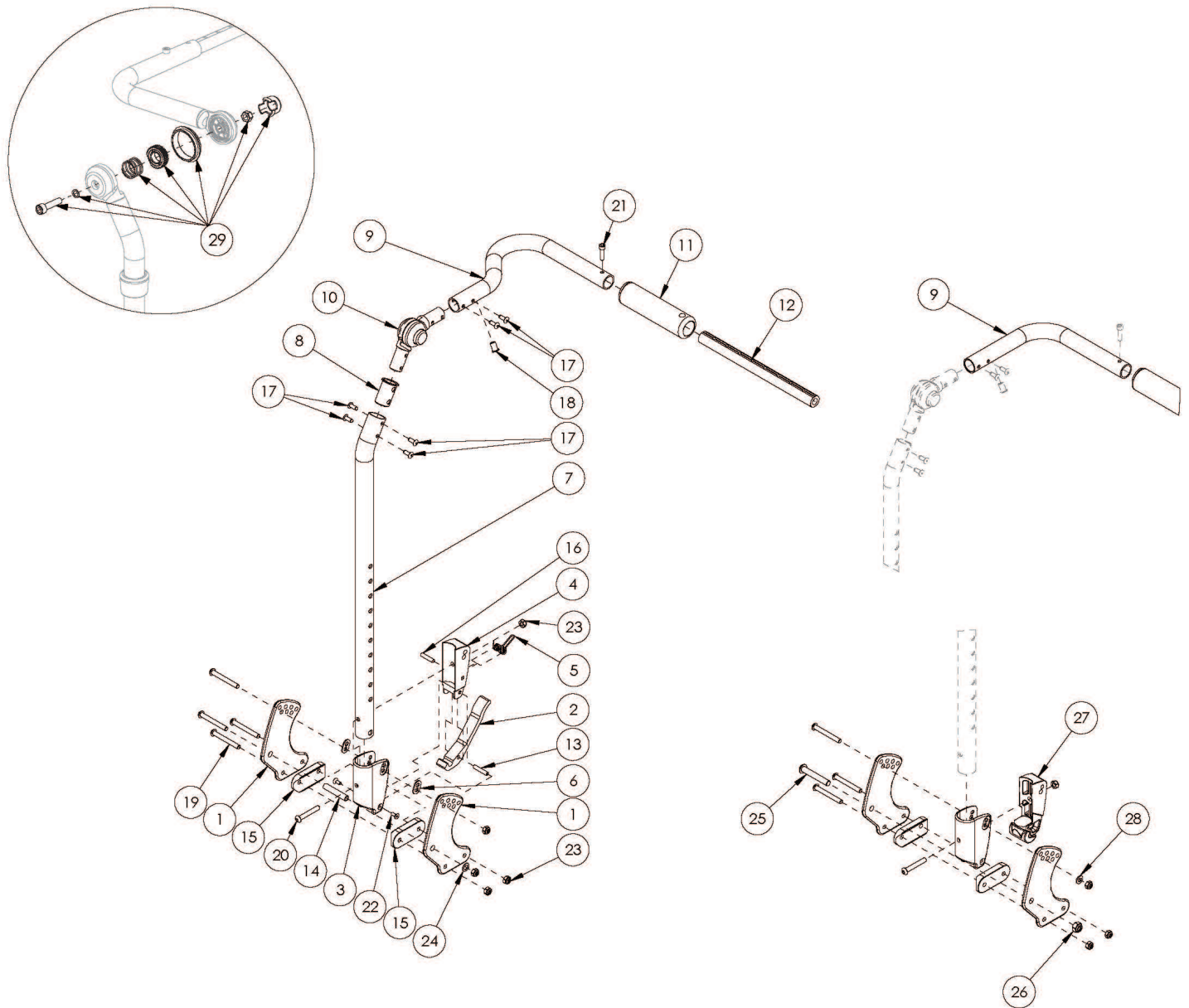


Flip Fixed Height with Adjustable Handle Backrest



If chair was invoiced prior to 12/18/23, an upper back tube assembly is required. If chair was invoiced after to 12/18/23, parts 7-10 and 17 shown in the diagram above can now be purchased individually See Flip for Lecky Fixed Height with Adjustable Handle Backrest page if replacing parts for this model If chair width is 14"-18" wide and has a serial number of FLP010784 through FLP011079, see the Discontinued Flip Fixed Height with Adjustable Handle Backrest page. Callout #9: 10"-13" widths receive the curved handle and 14"-18" widths receive the "L" shaped handle. Note: Tilt Mechanism parts may be required if changing to a different backrest style. Please see the applicable tilt mechanism parts manual page for verification.

Item Number	Part Number	Description	Quantity
1a, 6, 14, 15, 19, 23, 24	502819	Backrest Hardware Kit Std FLIP	1
1b, 6, 14, 15, 19, 23, 24	502820	Backrest Hardware Kit Std Transit (one side), FLIP	1

Item Number	Part Number	Description	Quantity
1a, 15, 19, 20, 23, 25, 26, 28	503027	Backrest Hardware Kit, Non Folding, Flip	1
1b, 15, 19, 20, 23, 25, 26, 28	503163	Backrest Hardware Kit Non-Folding (one side), Transit, Flip	1
1a, 2, 3-6, 7a, 8, 9a, 10, 11, 13-20, 22-24	505193	Back Assm w/ Latch Insert, Fixed Height w/ Adjustable Handle Short w/ Hardware, 10-13" wide, Left Flip	1
1a, 2, 3-6, 7a, 8, 9b, 10, 11, 13-20, 22-24	505194	Back Assm w/ Latch Insert, Fixed Height w/ Adjustable Handle Short w/ Hardware, 10-13" wide, Right Flip	1
1a, 2, 3-6, 7a, 8, 9c, 10, 11, 13-20, 22-24	506632	Back Assm w/ Latch Insert, Fixed Height w/ Adjustable Handle Short w/ Hardware, 14-18" wide, Left Flip <i>Used on 14-18 wide with serial numbers prior to FLP010784 and serial numbers starting with FLP011080</i>	1
1a, 2, 3-6, 7a, 8, 9d, 10, 11, 13-20, 22-24	506633	Back Assm w/ Latch Insert, Fixed Height w/ Adjustable Handle Short w/ Hardware, 14-18" wide, Right Flip <i>Used on 14-18 wide with serial numbers prior to FLP010784 and serial numbers starting with FLP011080</i>	1
1a, 2, 3-6, 7b, 8, 9a, 10, 11, 13-20, 22-24	505195	Back Assm w/ Latch Insert, Fixed Height w/ Adjustable Handle Tall w/ Hardware, 10-13" wide, Left Flip	1
1a, 2, 3-6, 7b, 8, 9b, 10, 11, 13-20, 22-24	505196	Back Assm w/ Latch Insert, Fixed Height w/ Adjustable Handle Tall w/ Hardware, 10-13" wide, Right Flip	1
1a, 2, 3-6, 7b, 8, 9c, 10, 11, 13-20, 22-24	506634	Back Assm w/ Latch Insert, Fixed Height w/ Adjustable Handle Tall w/ Hardware, 14-18" wide, Left Flip <i>Used on 14-18 wide with serial numbers prior to FLP010784 and serial numbers starting with FLP011080</i>	1
1a, 2, 3-6, 7b, 8, 9d, 10, 11, 13-20, 22-24	506635	Back Assm w/ Latch Insert, Fixed Height w/ Adjustable Handle Tall w/ Hardware, 14-18" wide, Right Flip <i>Used on 14-18 wide with serial numbers prior to FLP010784 and serial numbers starting with FLP011080</i>	1
1a, 3, 7a, 8, 9a, 10, 11, 14, 15, 17-20, 22, 24-28	505197	Back Assm w/ Latch Insert, Fixed Height w/ Adjustable Handle Short w/ Hardware, Non-Folding, 10-13" wide, Left Flip	1
1a, 3, 7a, 8, 9b, 10, 11, 14, 15, 17-20, 22, 24-28	505198	Back Assm w/ Latch Insert, Fixed Height w/ Adjustable Handle Short w/ Hardware, Non-Folding, 10-13" wide, Right Flip	1
1a, 3, 7a, 8, 9c, 10, 11, 14, 15, 17-20, 22, 24-28	506636	Back Assm w/ Latch Insert, Fixed Height w/ Adjustable Handle Short w/ Hardware, Non-Folding, 14-18" wide, Left Flip <i>Used on 14-18 wide with serial numbers prior to FLP010784 and serial numbers starting with FLP011080</i>	1
1a, 3, 7a, 8, 9d, 10, 11, 14, 15, 17-20, 22, 24-28	506637	Back Assm w/ Latch Insert, Fixed Height w/ Adjustable Handle Short w/ Hardware, Non-Folding, 14-18" wide, Right Flip <i>Used on 14-18 wide with serial numbers prior to FLP010784 and serial numbers starting with FLP011080</i>	1

Item Number	Part Number	Description	Quantity
1a, 3, 7b, 8, 9a, 10, 11, 14, 15, 17-20, 22, 24-28	505199	Back Assm w/ Latch Insert, Fixed Height w/ Adjustable Handle Tall w/ Hardware, Non-Folding, 10-13" wide, Left Flip	1
1a, 3, 7b, 8, 9b, 10, 11, 14, 15, 17-20, 22, 24-28	505200	Back Assm w/ Latch Insert, Fixed Height w/ Adjustable Handle Tall w/ Hardware, Non-Folding, 10-13" wide, Right Flip	1
1a, 3, 7b, 8, 9c, 10, 11, 14, 15, 17-20, 22, 24-28	506638	Back Assm w/ Latch Insert, Fixed Height w/ Adjustable Handle Tall w/ Hardware, Non-Folding, 14-18" wide, Left Flip <i>Used on 14-18 wide with serial numbers prior to FLP010784 and serial numbers starting with FLP011080</i>	1
1a, 3, 7b, 8, 9d, 10, 11, 14, 15, 17-20, 22, 24-28	506639	Back Assm w/ Latch Insert, Fixed Height w/ Adjustable Handle Tall w/ Hardware, Non-Folding, 14-18" wide, Right Flip <i>Used on 14-18 wide with serial numbers prior to FLP010784 and serial numbers starting with FLP011080</i>	1
2, 3-5, 7a, 8, 9a, 10, 11, 13, 16-18, 20, 22, 23	505201	Back Assm w/ Latch Insert, Fixed Height w/ Adjustable Handle Short, 10-13" wide, Left Flip	1
2, 3-5, 7a, 8, 9b, 10, 11, 13, 16-18, 20, 22, 23	505202	Back Assm w/ Latch Insert, Fixed Height w/ Adjustable Handle Short, 10-13" wide, Right Flip	1
2, 3-5, 7a, 8, 9c, 10, 11, 13, 16-18, 20, 22, 23	506640	Back Assm w/ Latch Insert, Fixed Height w/ Adjustable Handle Short, 14-18" wide, Left Flip <i>Used on 14-18 wide with serial numbers prior to FLP010784 and serial numbers starting with FLP011080</i>	1
2, 3-5, 7a, 8, 9d, 10, 11, 13, 16-18, 20, 22, 23	506641	Back Assm w/ Latch Insert, Fixed Height w/ Adjustable Handle Short, 14-18" wide, Right Flip <i>Used on 14-18 wide with serial numbers prior to FLP010784 and serial numbers starting with FLP011080</i>	1
2, 3-5, 7b, 8, 9a, 10, 11, 13, 16-18, 20, 22, 23	505203	Back Assm w/ Latch Insert, Fixed Height w/ Adjustable Handle Tall, 10-13" wide, Left Flip	1
2, 3-5, 7b, 8, 9b, 10, 11, 13, 16-18, 20, 22, 23	505204	Back Assm w/ Latch Insert, Fixed Height w/ Adjustable Handle Tall, 10-13" wide, Right Flip	1
2, 3-5, 7b, 8, 9c, 10, 11, 13, 16-18, 20, 22, 23	506642	Back Assm w/ Latch Insert, Fixed Height w/ Adjustable Handle Tall, 14-18" wide, Left Flip <i>Used on 14-18 wide with serial numbers prior to FLP010784 and serial numbers starting with FLP011080</i>	1
2, 3-5, 7b, 8, 9d, 10, 11, 13, 16-18, 20, 22, 23	506643	Back Assm w/ Latch Insert, Fixed Height w/ Adjustable Handle Tall, 14-18" wide, Right Flip <i>Used on 14-18 wide with serial numbers prior to FLP010784 and serial numbers starting with FLP011080</i>	1

Item Number	Part Number	Description	Quantity
3, 7a, 8, 9a, 10, 11, 17, 18, 20, 23, 27	505205	Back Assm w/ Latch Insert, Fixed Height w/ Adjustable Handle Short, Non-Folding, 10-13" wide, Left Flip	1
3, 7a, 8, 9b, 10, 11, 17, 18, 20, 23, 27	505206	Back Assm w/ Latch Insert, Fixed Height w/ Adjustable Handle Short, Non-Folding, 10-13" wide, Right Flip	1
3, 7a, 8, 9c, 10, 11, 17, 18, 20, 23, 27	506644	Back Assm w/ Latch Insert, Fixed Height w/ Adjustable Handle Short, Non-Folding, 14-18" wide, Left Flip <i>Used on 14-18 wide with serial numbers prior to FLP010784 and serial numbers starting with FLP011080</i>	1
3, 7a, 8, 9d, 10, 11, 17, 18, 20, 23, 27	506645	Back Assm w/ Latch Insert, Fixed Height w/ Adjustable Handle Short, Non-Folding, 14-18" wide, Right Flip <i>Used on 14-18 wide with serial numbers prior to FLP010784 and serial numbers starting with FLP011080</i>	1
3, 7b, 8, 9a, 10, 11, 17, 18, 20, 23, 27	505207	Back Assm w/ Latch Insert, Fixed Height w/ Adjustable Handle Tall, Non-Folding, 10-13" wide, Left Flip	1
3, 7b, 8, 9b, 10, 11, 17, 18, 20, 23, 27	505208	Back Assm w/ Latch Insert, Fixed Height w/ Adjustable Handle Tall, Non-Folding, 10-13" wide, Right Flip	1
3, 7b, 8, 9c, 10, 11, 17, 18, 20, 23, 27	506646	Back Assm w/ Latch Insert, Fixed Height w/ Adjustable Handle Tall, Non-Folding, 14-18" wide, Left Flip <i>Used on 14-18 wide with serial numbers prior to FLP010784 and serial numbers starting with FLP011080</i>	1
3, 7b, 8, 9d, 10, 11, 17, 18, 20, 23, 27	506647	Back Assm w/ Latch Insert, Fixed Height w/ Adjustable Handle Tall, Non-Folding, 14-18" wide, Right Flip <i>Used on 14-18 wide with serial numbers prior to FLP010784 and serial numbers starting with FLP011080</i>	1
9c, 11, 17, 18, 21	122918	Push Handle Tube w/ Grip and Hardware, Left	1
9d, 11, 17, 18, 21	122920	Push Handle Tube w/ Grip and Hardware, Right	1
1a	001890	Back Plate, Std	2
1b	001891	Back Plate, Transit	1
2	001893	Latch Lever, Backrest	1
3, 6	503834	Cover Plate, Latch Insert Kit	1
4	001895	Latch Insert, Folding Backrest	1
5	001896	Spring, Backrest Latch	1
6	001897	Washer, Dual, PSA	1
7a	003495	Fixed Height Back Post for Adjustable Handle Short <i>Used on chairs starting 12/18/23</i>	1
7b	003496	Fixed Height Back Post for Adjustable Handle Tall <i>Used on chairs starting 12/18/23</i>	1
8	001266	Bushing .832 OD x .720 ID	1

Item Number	Part Number	Description	Quantity
		<i>Used on chairs starting 12/18/23</i>	
10	116066	Locking Hinge Assembly <i>Used on chairs starting 12/18/23</i>	1
12a	002578	Growth Strut, Stroller, Short	1
12a, 21	503107	Growth Strut Assembly Short, Focus/Flip	1
12b	002579	Growth Strut, Stroller, Long <i>Used only if growing chair from 13" wide or less to 14" wide or greater</i>	1
13	002513	Threaded Barrel, 5mm OD x M4	1
14	002738	Spacer .313 OD x .243 ID x 1.68 long	1
15	002595	Saddle, Dual, 1" OD X 1.5 SP	2
16	102694	Dowel Pin, M5 X 24, Blk Zn	1
17	100669	M5 x 10 BTN SHCS BLKZC w/Patch <i>Used on chairs starting 12/18/23</i>	6
19	101781	M6 x 50mm Partial Thread BHCS Blk ZC	4
20	100797	M6 x 40 BHCS BLK ZC	1
21	101843	M5 x 20 SHCS Blk Zn	1
22	101818	M4 x 10 FHCS BLKZC w/Patch	2
23	100658	M6 Nylock Nut Blk Zn	5
24	101861	Nylon Washer 5/16 x 1/2 x .03	1
25	101815	M8 x 50 BHCS Blk Zn	1
26	100659	M8 Nylock Nut Blk Zn	1
27	002035	Insert, Backrest, Non-Folding	1
28	100746	M6 Flat Washer Blk Zn	1
29	110524	Locking Hinge Button Assembly with Instruction <i>This kit contains the contents inside callout # 10. This assembly may not be compatible if chair was invoiced prior to 6/22/16</i>	1