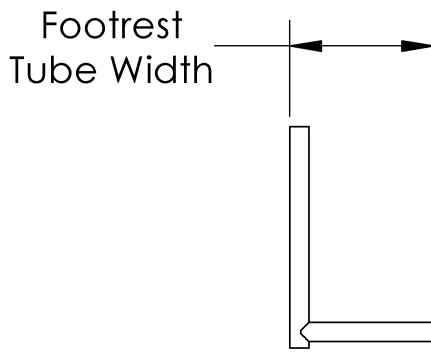
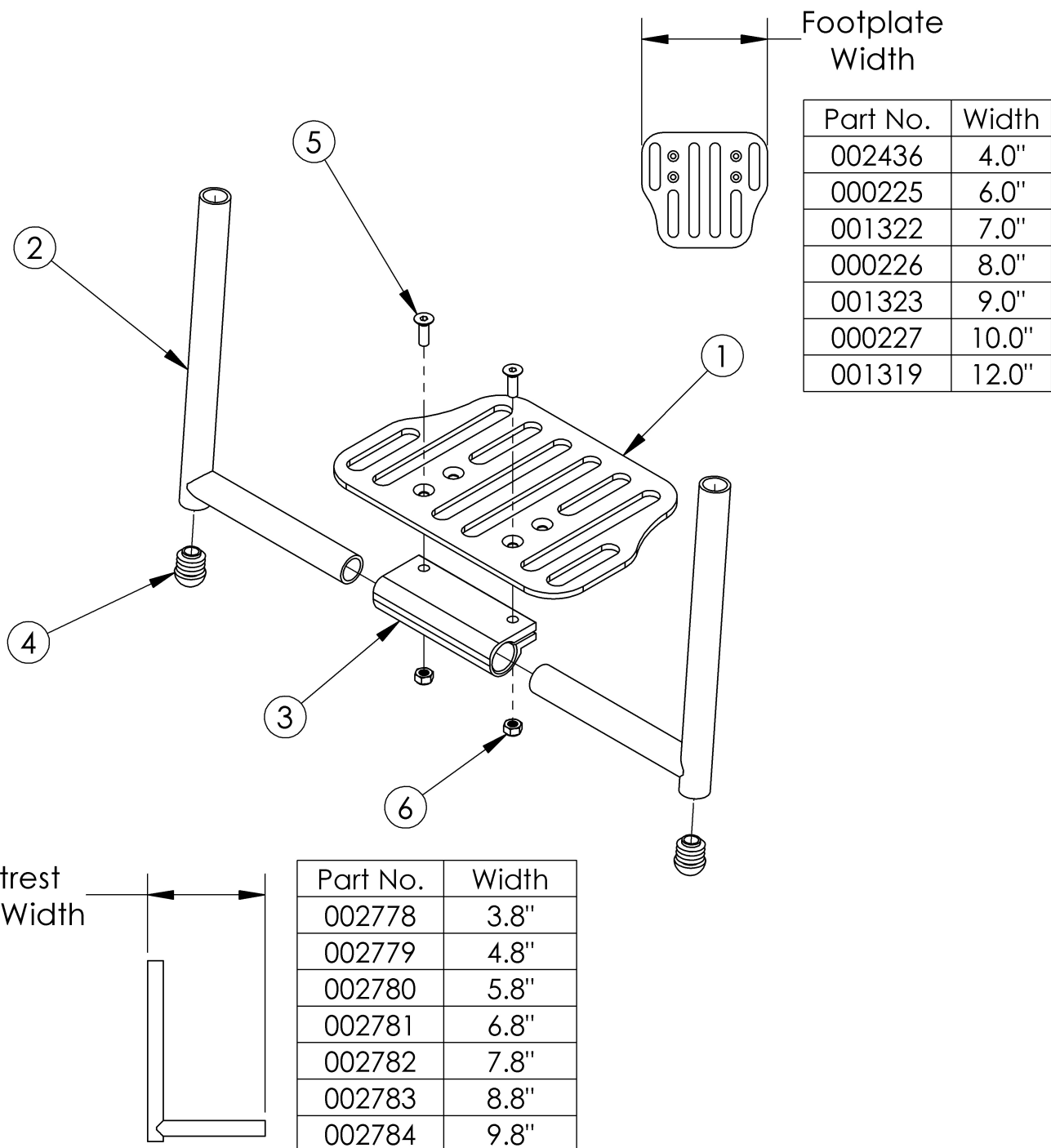


# Clik Aluminum Angle Adjustable Footrest



For attaching footrest hardware, reference the Clik Side Frame pages (serial numbers CLK005270 and after) or Discontinued Side Frame pages (serial numbers prior to CLK005270).

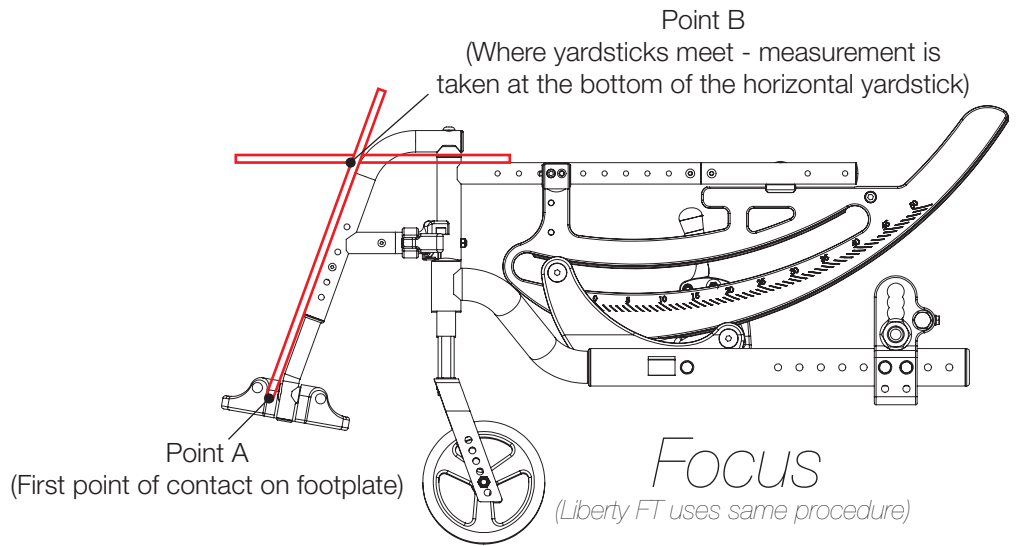
Item Number	Part Number	Description	Quantity
1a, 2a, 3-6	502533	Footrest Assembly Angle Adjustable 8" Wide Clik	1

Item Number	Part Number	Description	Quantity
1b, 2a, 3-6	502534	Footrest Assembly Angle Adjustable 9" Wide Klik	1
1c, 2b, 3-6	502535	Footrest Assembly Angle Adjustable 10" Wide Klik	1
1d, 2b, 3-6	502536	Footrest Assembly Angle Adjustable 11" Wide / 8" Offset Klik	1
1e, 2b, 3-6	503090	Footrest Assembly Angle Adjustable 9" Wide Offset Klik	1
1e, 2c, 3-6	502537	Footrest Assembly Angle Adjustable 12" Wide Klik	1
1f, 2c, 3-6	502538	Footrest Assembly Angle Adjustable 13" Wide / 10" Offset Klik	1
1g, 2c, 3-6	503091	Footrest Assembly Angle Adjustable 11" Wide Offset Klik	1
1g, 2d, 3-6	502539	Footrest Assembly Angle Adjustable 14", 15" Wide / 12", 13" Offset Klik	1
1g, 2e, 3-6	502540	Footrest Assembly Angle Adjustable 16" Wide / 14", 15" Offset Klik	1
1g, 2f, 3-6	502592	Footrest Assembly Angle Adjustable 17", 18" Wide / 16", 17" Offset Klik	1
1g, 2g, 3-6	503092	Footrest Assembly Angle Adjustable 18" Wide Offset Klik	1
1a	002436	Footrest Platform Angle Adjustable 4" Rigid	1
1b	000225	Footrest Platform Angle Adjustable 6"	1
1c	001322	Footrest Platform Angle Adjustable 7"	1
1d	000226	Footrest Platform Angle Adjustable 8"	1
1e	001323	Footrest Platform Angle Adjustable 9"	1
1f	000227	Footrest Platform Angle Adjustable 10"	1
1g	001319	Footrest Platform Angle Adjustable 12"	1
2a	002778	Footrest Extension Welded 3.8"	2
2b	002779	Footrest Extension Welded 4.8"	2
2c	002780	Footrest Extension Welded 5.8"	2
2d	002781	Footrest Extension Welded 6.8"	2
2e	002782	Footrest Extension Welded 7.8"	2
2f	002783	Footrest Extension Welded 8.8"	2
2g	002784	Footrest Extension Welded 9.8"	2
3	100789	Footrest Adjustable Clamp 5"	1
4	002834	Dome Top Tube End, 3/4"	2

<b>Item Number</b>	<b>Part Number</b>	<b>Description</b>	<b>Quantity</b>
5	100662	M6 x 25 FSHCS BLK ZC	2
6	100658	M6 Nylock Nut Blk Zn	2

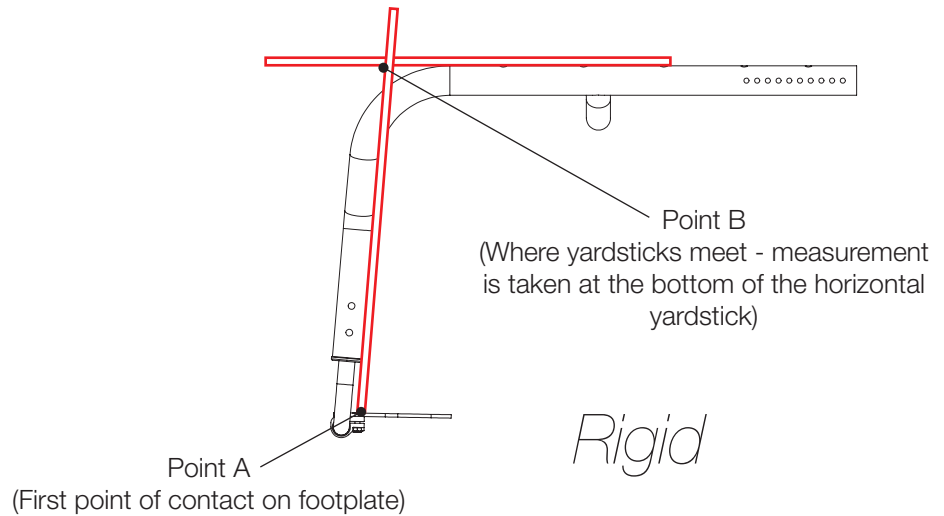
Distance between Point A and Point B = Footplate Length

**NOTE:** The yardstick on the top plane of the seat frame must lie flat against frame. The yardstick going from the footplate to the second yardstick must be square against the hanger tube.



Distance between Point A and Point B = Footplate Length

**NOTE:** The yardstick on the top plane of the seat frame must lie flat against frame. The yardstick going from the footplate to the second yardstick must be square against the front tube.



Distance between Point A and Point B = Footplate Length

**NOTE:** The yardstick on the top plane of the hanger must lie flat against hanger. The yardstick going from the footplate to the second yardstick must be square against the hanger tube.

