

INSTRUCTION SHEET

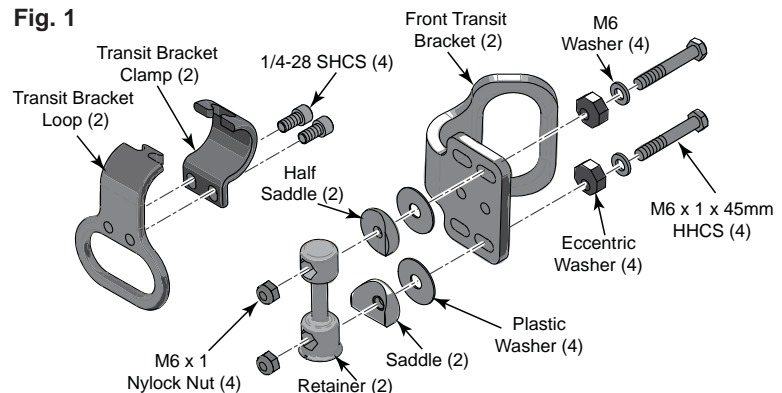
QUICKIE QXi TRANSIT KIT



• **Please read and understand these instructions before beginning the installation.**

- **Before beginning the installation, make sure that all the parts are included (Fig1).**
- **Failure to carefully read, understand and follow these instructions could result in severe injuries or death.**

Fig. 1



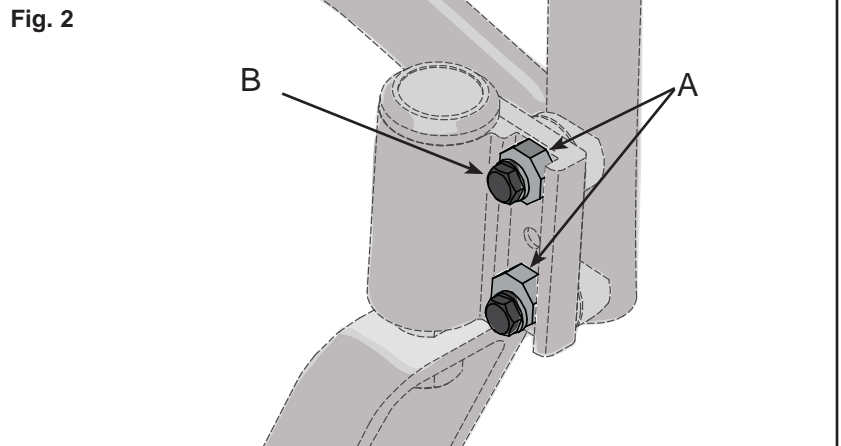
Tools Required:

10mm socket 3/16 hex key
Torque Wrench

Parts Required:

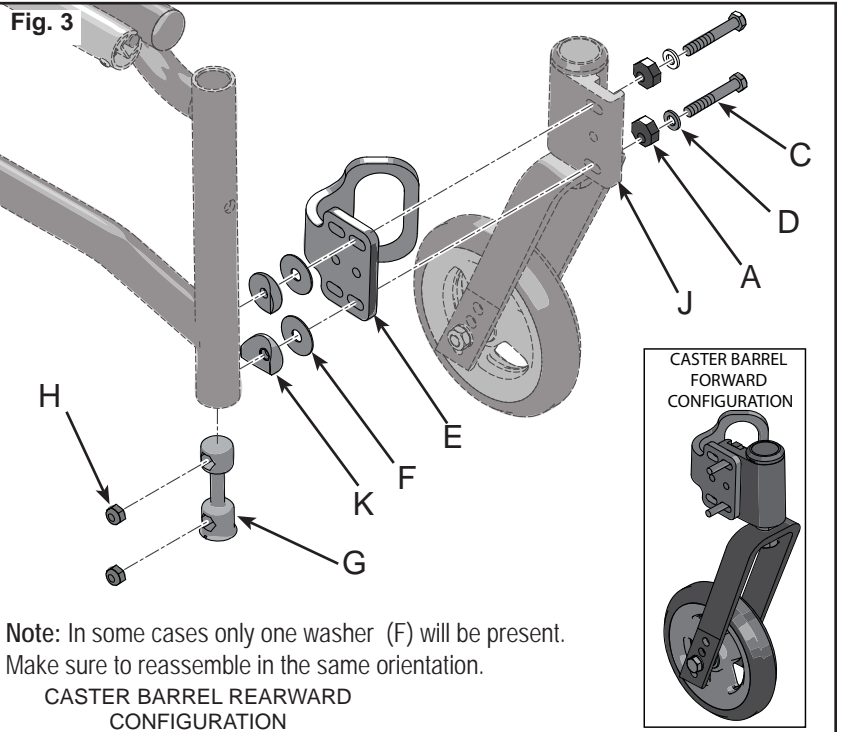
TRANSIT KIT QXi
Sunrise Part Number 120751

Fig. 2



1. Note the position of both eccentric washers (A) prior to disassembly, reinstall them in the same positions to ensure casters remain square.
2. Remove the two hex head cap screws (B) and discard. They will not be used on re-assembly as they will be too short when adding the transit bracket. Once hex head screws are removed the retainer will drop out of the frame. Discard and replace with the new components.

Fig. 3

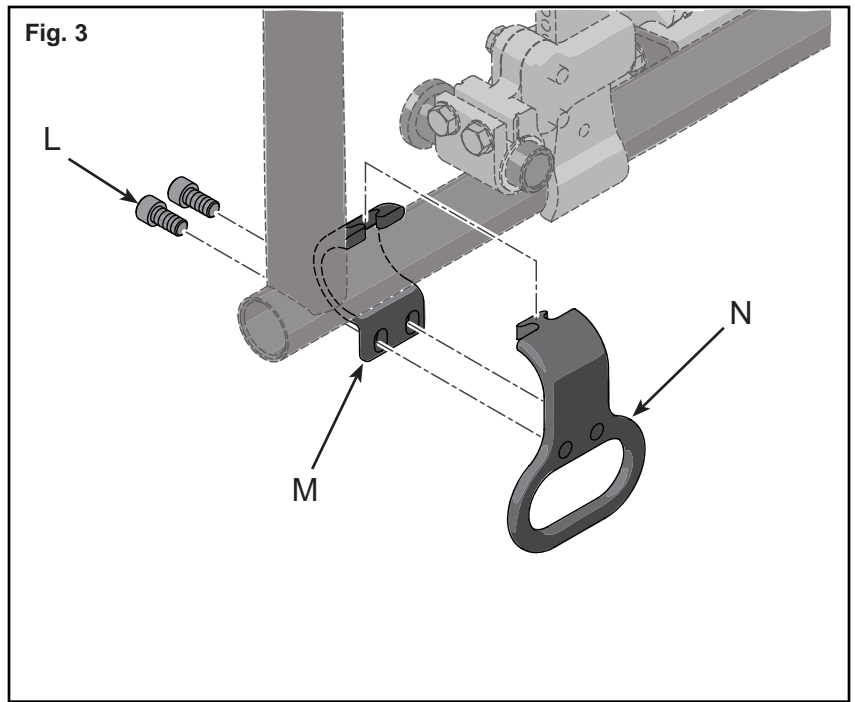
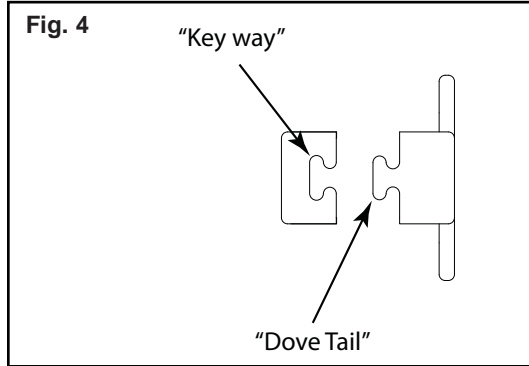


Note: In some cases only one washer (F) will be present. Make sure to reassemble in the same orientation.

CASTER BARREL REARWARD CONFIGURATION

7. Assemble the rear transit bracket by first slipping the transit bracket clamp (M) onto the bottom side frame from the outside at the rear most position.

8. From the inside of the chair, slide the Transit Bracket Loop (N) down on to the Transit Clamp so that the dove tail fits into the keyway (Fig.4).



9. Rotate the Transit Clamp (N) to the inside of the chair to an angle of 45 degrees from vertical and use the 3/16 hex key to install the two socket head cap screws (L). Tighten the two cap screws to 120 in-lbs maintaining the 45 degree angle.

10. Repeat steps 7 - 9 for the opposite side
11. Affix the transit decals as shown in Fig. 6 & 7.

