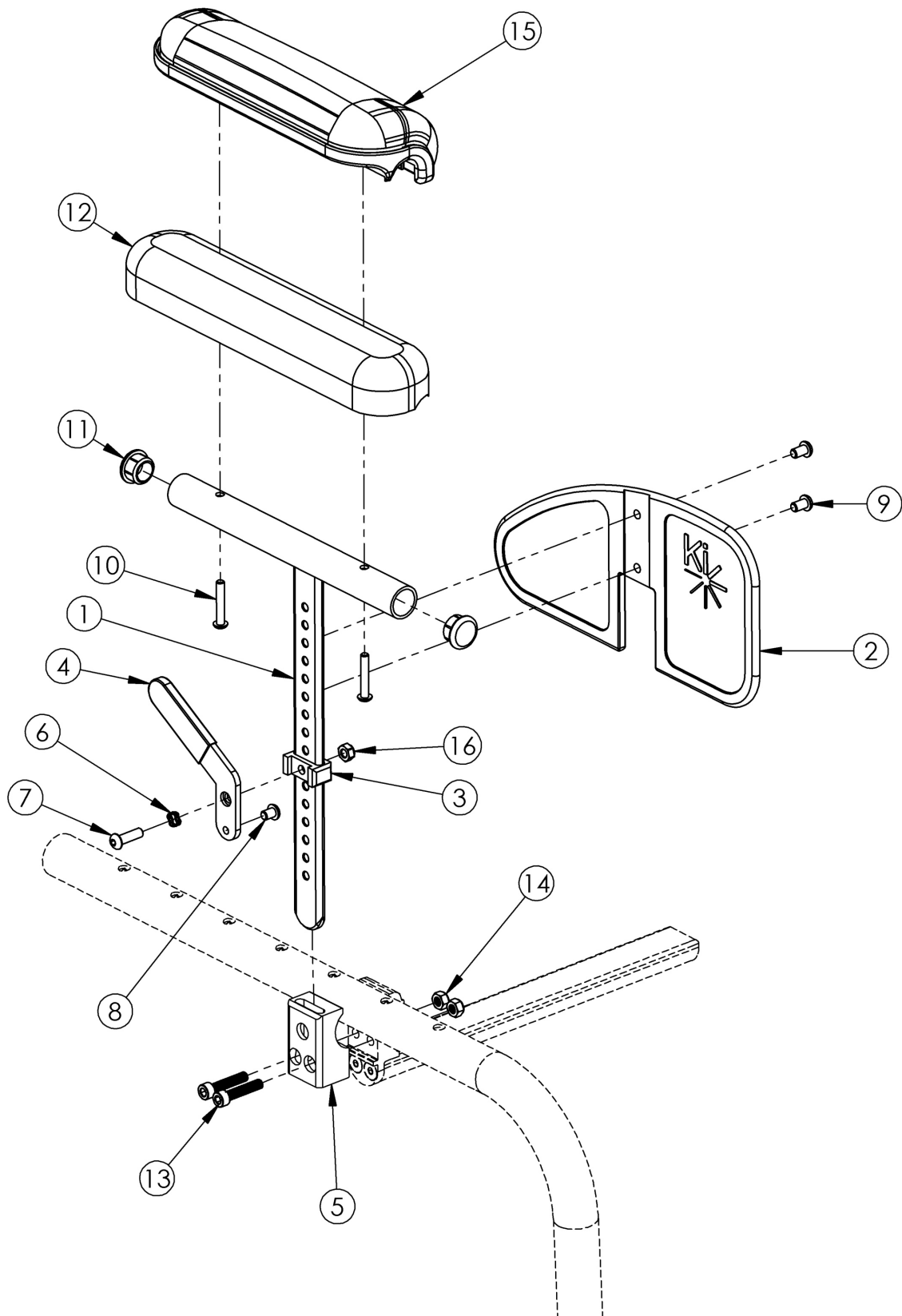


Clik Pediatric Height Adjustable T-Arm



If retrofitting, Receivers are needed.

Item Number	Part Number	Description	Quantity
1-3, 4a, 6-9, 10a, 11, 12, 16	500605	Armrest Pediatric T-Arm Assembly Left Standard Desk Arm Pad LW, Klik, Spark	1
1-3, 4b, 6-9, 10a, 11, 12, 16	500606	Armrest Pediatric T-Arm Assembly Right Standard Desk Arm Pad LW, Klik, Spark	1
1-3, 4a, 4b, 6-9, 10a, 11, 12, 16	500992	Armrest Pediatric T-Arm Assembly Standard Desk Arm Pad Pair LW, Klik, Spark	1
1-3, 4a, 6-9, 10b, 11, 15, 16	112607	Armrest Pediatric T-Arm Assembly Left Waterfall Desk Arm Pad LW, Klik, Spark	1
1-3, 4b, 6-9, 10b, 11, 15, 16	112608	Armrest Pediatric T-Arm Assembly Right Waterfall Desk Arm Pad LW, Klik, Spark	1
1-3, 4a, 4b, 6-9, 10b, 11, 15, 16	112609	Armrest Pediatric T-Arm Assembly Waterfall Desk Arm Pad Pair LW, Klik, Spark	1
1-3, 4a, 5a, 6-9, 10a, 11-14, 16	120043	Armrest Pediatric T-Arm Assembly Left Standard Desk Arm Pad with Black Anodized Receiver Klik	1
1-3, 4a, 5b, 6-9, 10a, 11-14, 16	120043_ _ _	Armrest Pediatric T-Arm Assembly Left Standard Desk Arm Pad with Color Anodized Receiver Klik	1
1-3, 4b, 5a, 6-9, 10a, 11-14, 16	120044	Armrest Pediatric T-Arm Assembly Right Standard Desk Arm Pad with Black Anodized Receiver Klik	1
1-3, 4b, 5b, 6-9, 10a, 11-14, 16	120044_ _ _	Armrest Pediatric T-Arm Assembly Right Standard Desk Arm Pad with Color Anodized Receiver Klik	1
1-3, 4a, 4b, 5a, 6-9, 10a, 11-14, 16	120045	Armrest Pediatric T-Arm Assembly Standard Desk Arm Pad Pair with Black Anodized Receiver Klik	1
1-3, 4a, 4b, 5b, 6-9, 10a, 11-14, 16	120045_ _ _	Armrest Pediatric T-Arm Assembly Standard Desk Arm Pad Pair with Color Anodized Receiver Klik	1
1-3, 4a, 5a, 6-9, 10b, 11, 13-16	120046	Armrest Pediatric T-Arm Assembly Left Waterfall Desk Arm Pad with Black Anodized Receiver Klik	1
1-3, 4a, 5b, 6-9, 10b, 11, 13-16	120046_ _ _	Armrest Pediatric T-Arm Assembly Left Waterfall Desk Arm Pad with Color Anodized Receiver Klik	1
1-3, 4b, 5a, 6-9, 10b, 11, 13-16	120047	Armrest Pediatric T-Arm Assembly Right Waterfall Desk Arm Pad with Black Anodized Receiver Klik	1
1-3, 4b, 5b, 6-9, 10b, 11, 13-16	120047_ _ _	Armrest Pediatric T-Arm Assembly Right Waterfall Desk Arm Pad with Color Anodized Receiver Klik	1
1-3, 4a, 4b, 5a, 6-9, 10b, 11, 13-16	120048	Armrest Pediatric T-Arm Assembly Waterfall Desk Arm Pad Pair with Black Anodized Receiver Klik	1
1-3, 4a, 4b, 5b, 6-9, 10b, 11, 13-16	120048_ _ _	Armrest Pediatric T-Arm Assembly Waterfall Desk Arm Pad Pair with Color Anodized Receiver Klik	1
5a, 13, 14	120060	Pediatric T Arm Clamp Kit Black Anodized Klik <i>Contains parts for one side</i>	1

Item Number	Part Number	Description	Quantity
5b, 13, 14	120061_ _ _	Pediatric T Arm Clamp Kit Color Anodized Clik <i>Contains parts for one side</i>	1
1, 11	501392	Pediatric T Arm Post	1
2	503881	Pediatric T Arm Panel w/Ki Logo	1
3	501395	Pediatric T Arm Bracket	1
4a	501396	Pediatric T Arm Lever Left	1
4b	501397	Pediatric T Arm Lever Right	1
5a	001778	Side Guard and Ped T-Arm Clamp Black Anodized, Clik	1
5b	001778_ _ _	Side Guard Clamp and Ped T-Arm Color Anodized LW	1
6	101088	Wave Spring - 1/4 id x 3/8 od	1
7	101593	M6 x 25 BTN SHCS BLKZC	1
8	101702	M6 x 6 BTN SHCS ZC	1
9	101184	M6 x 10 BTN SHCS BLKZC w/Patch	2
10a	100696	M5 x 30mm PPH Capscrew <i>Used with Standard Arm Pad</i>	2
10b	100654	M5 x 40 DIN7985 PH Pan HD M/S ZC <i>Used with Waterfall Arm Pad</i>	2
11	100803	Tube End Plug 7/8"	2
12	100501	Arm Pad Desk	1
13	102627	M6 X 30 SHCS BLK ZC	2
14	100658	M6 Nylock Nut Blk Zn	2
15	102521	Waterfall Arm Pad Desk	1
16	101456	M6 Ovl Top L/N ZC	1

Color Anodizing Samples

