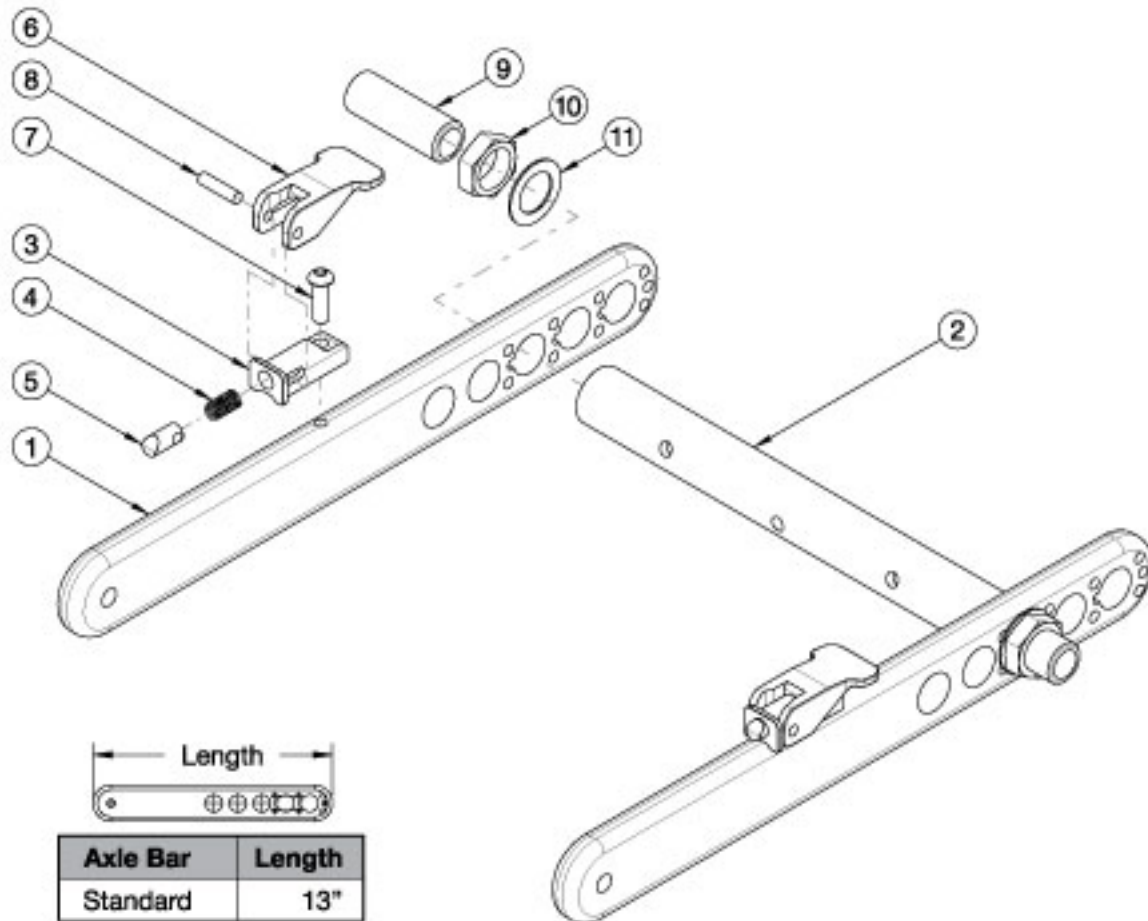


## Flip for x:panda Rear Frame



Item Number	Part Number	Description	Quantity
3-8	502795	Base Kit, Folding, FLIP <i>This kit is for one side; order quantity 2 for both sides</i>	1
1	001838	Axle Bar, Standard	1
2	001846	Axle Tube, 16W	1
3	001849	Plunger Housing, Fold Release	2
4	001850	Spring, Fold Release	2
5	001851	Locking Pin, Axle Bar	2
6	002646	Lever, Fold Release	2
7	101721	M6 x 16 Btn SHCS w/ Patch	2
8	102782	Dowel Pin, M5 x 20, SS	2

<b>Item Number</b>	<b>Part Number</b>	<b>Description</b>	<b>Quantity</b>
9	114480	Axle Receiver, 2.5" Length	2
10	100514	Axle Receiver Nut M18 x D12 x 8mm	2
11	100583	Axle Plate Washer 18mm	2