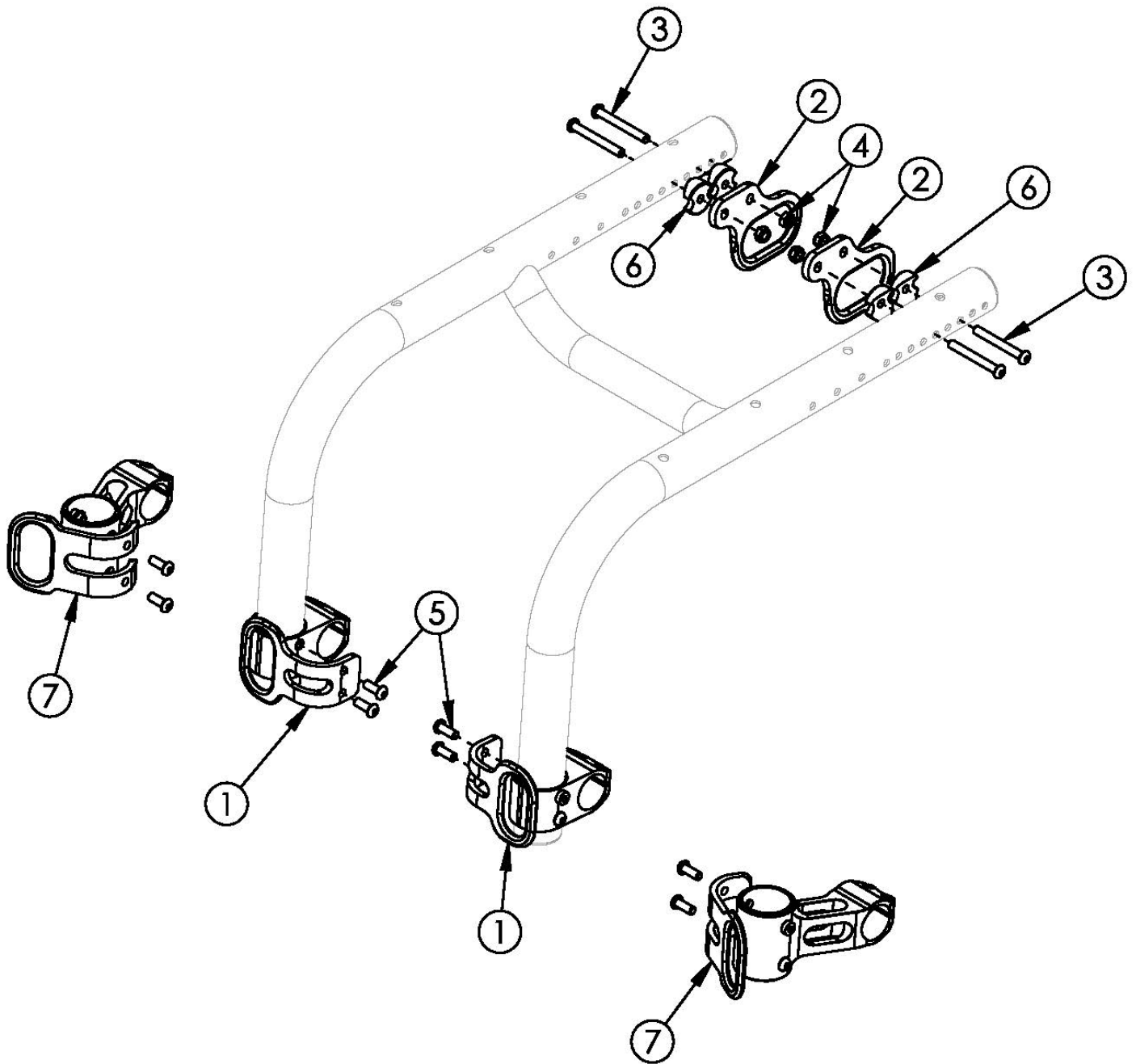


Little Wave XP Transit



Notice: Chair configuration review required prior to parts being quoted or ordered. <p>

125 pound maximum weight capacity with transit system. <p>

If transit is present and changing from pediatric to standard caster mounts, new front transit brackets are required

Item Number	Part Number	Description	Quantity	Retail
1 - 6	506839	Tsunami Transit Bracket Retrofit Kit for Pediatric Caster Mounts <i>This kit is a complete retrofit, containing a pair of front and rear transit brackets and hardware.</i>	1	\$278.67

Item Number	Part Number	Description	Quantity	Retail
2 - 7	506838	Tsunami Transit Bracket Retrofit Kit for Standard Caster Mounts <i>This kit is a complete retrofit, containing a pair of front and rear transit brackets and hardware.</i>	1	\$390.16
3	003232	M6 x 55 BHCS Blk Zc	4	\$9.39
4	100658	M6 Nylock Nut Blk Zn	4	\$1.10
5	101708	M6 x 14 BTN SHCS BLKZC w/Patch	4	\$1.66
6	000248	Saddle 1.375"	4	\$1.66