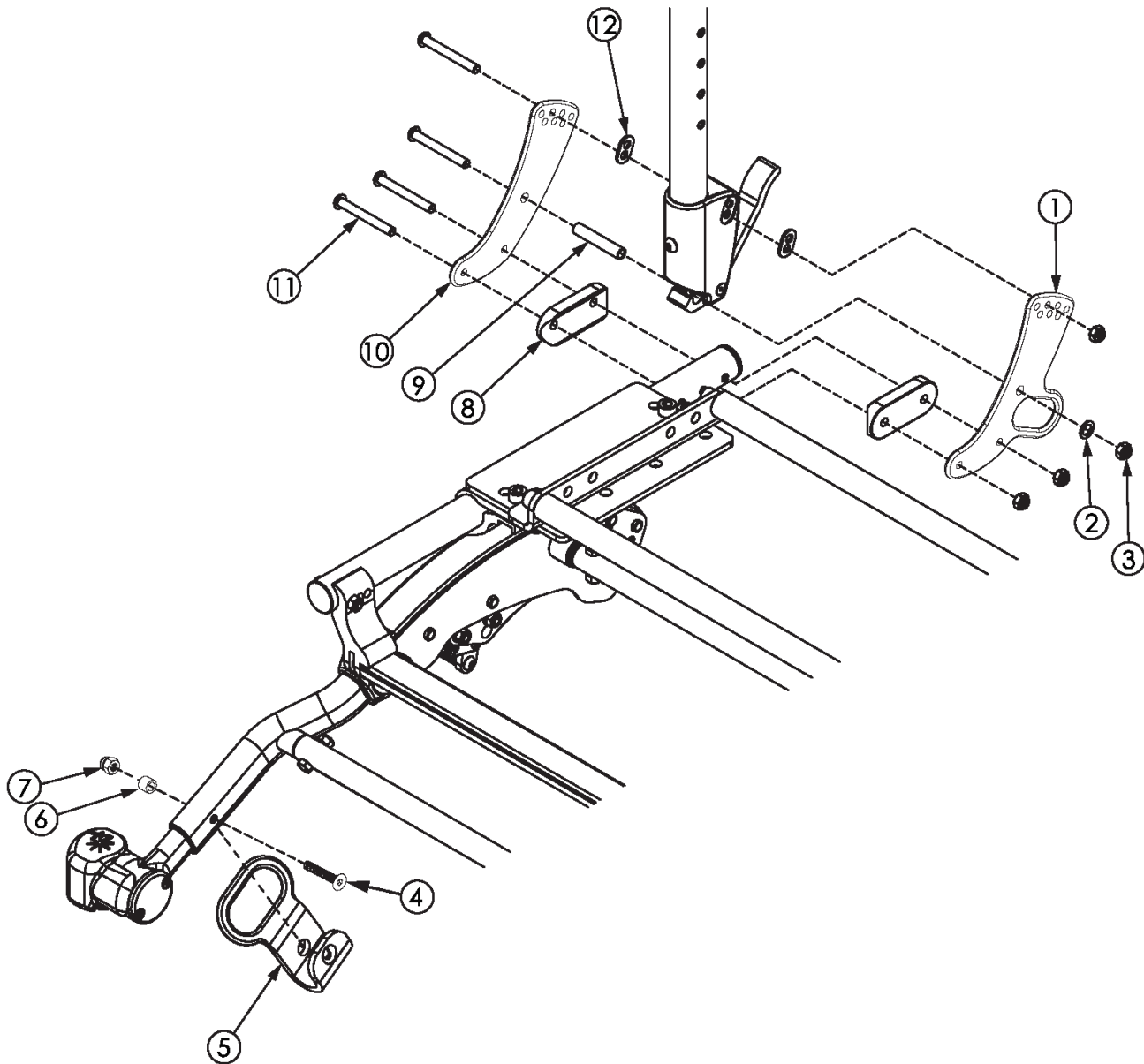


Flip for Leckey Transit



Notice: Chair configuration review required prior to parts being quoted or ordered.

| Item Number | Part Number | Description | Quantity |
|---------------|-------------|--|----------|
| 1 - 3, 8 - 12 | 111271 | Transit Backrest Hardware Kit, Flip for Leckey | 2 |
| 1 - 12 | 111272 | Transit Retrofit Kit, Flip for Leckey <i>This is a complete retrofit, containing a pair of front transit brackets, transit backplates and attaching hardware.</i> | 1 |
| 1 | 111269 | Inner Back Plate Transit, Flip for Leckey | 2 |

| Item Number | Part Number | Description | Quantity |
|-------------|-------------|--------------------------------------|----------|
| 2 | 101861 | Nylon Washer 5/16 x 1/2 x .03 | 2 |
| 3 | 100658 | M6 Nylock Nut Blk Zn | 8 |
| 4 | 101733 | M6 x 35 CLS10.9 DIN7991 FSHCS BLKZC | 2 |
| 6 | 002086 | Spacer, .38ODx.24IDx.31LG | 2 |
| 7 | 100558 | M6 Nyl Ins Domed Cap L/N Zc | 2 |
| 8 | 002594 | Saddle, Dual, 1" OD X 1.75 SP | 4 |
| 9 | 002738 | Spacer .313 OD x .243 ID x 1.68 long | 2 |
| 10 | 001071 | Back Plate Std TILT | 2 |
| 11 | 101781 | M6 x 50mm Partial Thread BHCS Blk ZC | 8 |
| 12 | 001897 | Washer, Dual, PSA | 4 |