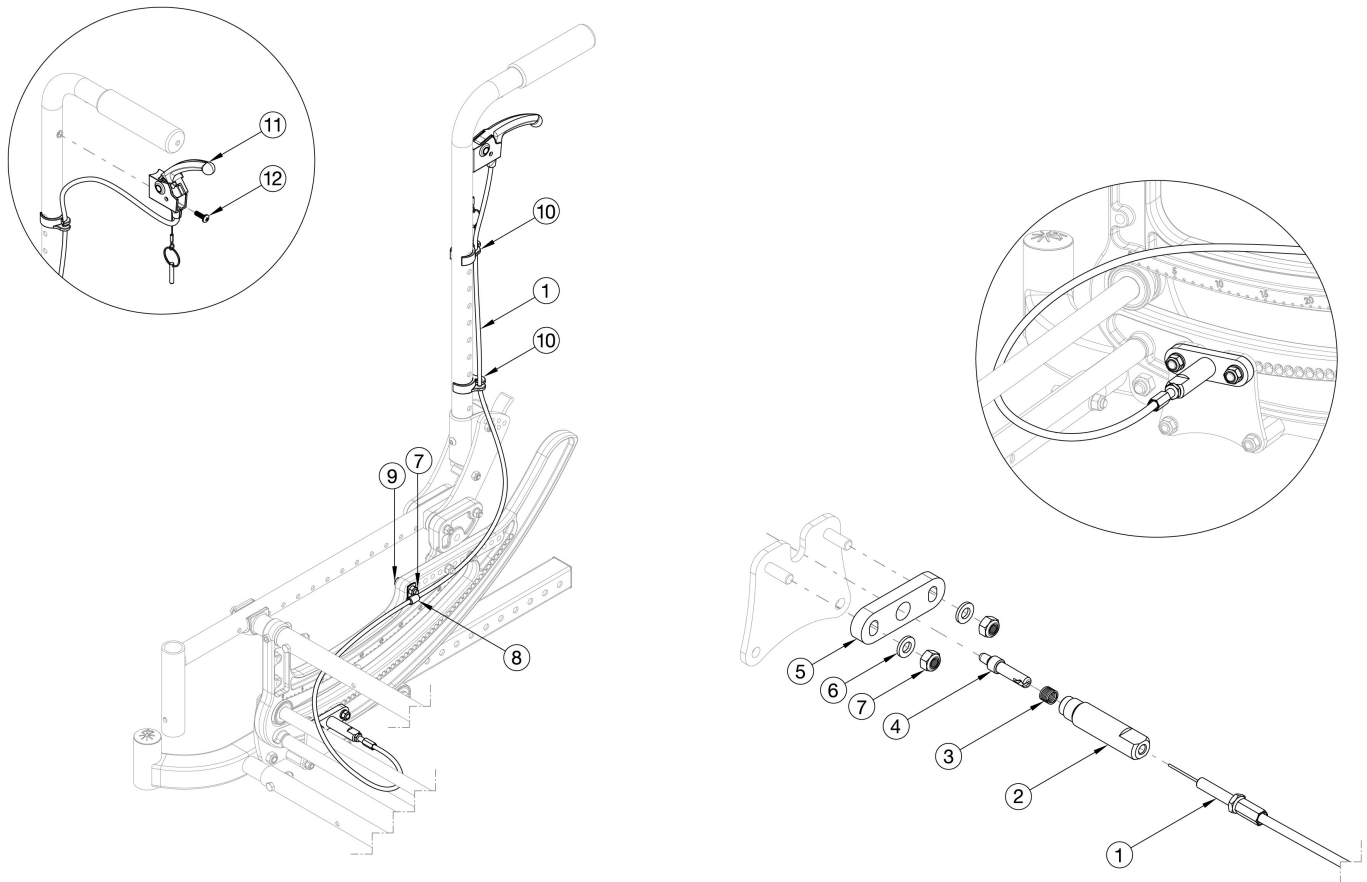


# CR45 Dual Hand Tilt with Stroller Backrest



If retrofitting from Foot Tilt, complete Hand Tilt kits are recommended.

Item Number	Part Number	Description	Quantity
1a, 2-7, 10-12	116288	Cable Assembly Hand Tilt Short <i>Used with Stroller Handle Back Post Short 20"</i>	1
1b, 2-7, 10-12	116289	Cable Assembly Hand Tilt Medium <i>Used with Stroller Handle Back Post Tall 24"</i>	1
1a	112470	Hand Tilt Cable Short, CR45	2
1b	112471	Hand Tilt Cable Medium, CR45	2
2	112478	Plunger Housing	2
3	112480	Spring, Comp, .312ODx.81LGx.032W	2
4	112479	Plunger Pin	2
5	112477	Tilt Lock Plunger Adapter	2
6	100746	M6 Flat Washer Blk Zn	4

<b>Item Number</b>	<b>Part Number</b>	<b>Description</b>	<b>Quantity</b>
7	100658	M6 Nylock Nut Blk Zn	6
8	001239	P-Clip 3/16"	1
9	101824	M6 x 30 HHCS Blk Zn	2
10	001117	Cable Clip 1"	2
11	002800	Lever Assembly Vertical Tilt	2
12	100734	M5 x 16 PHMS ZC	2