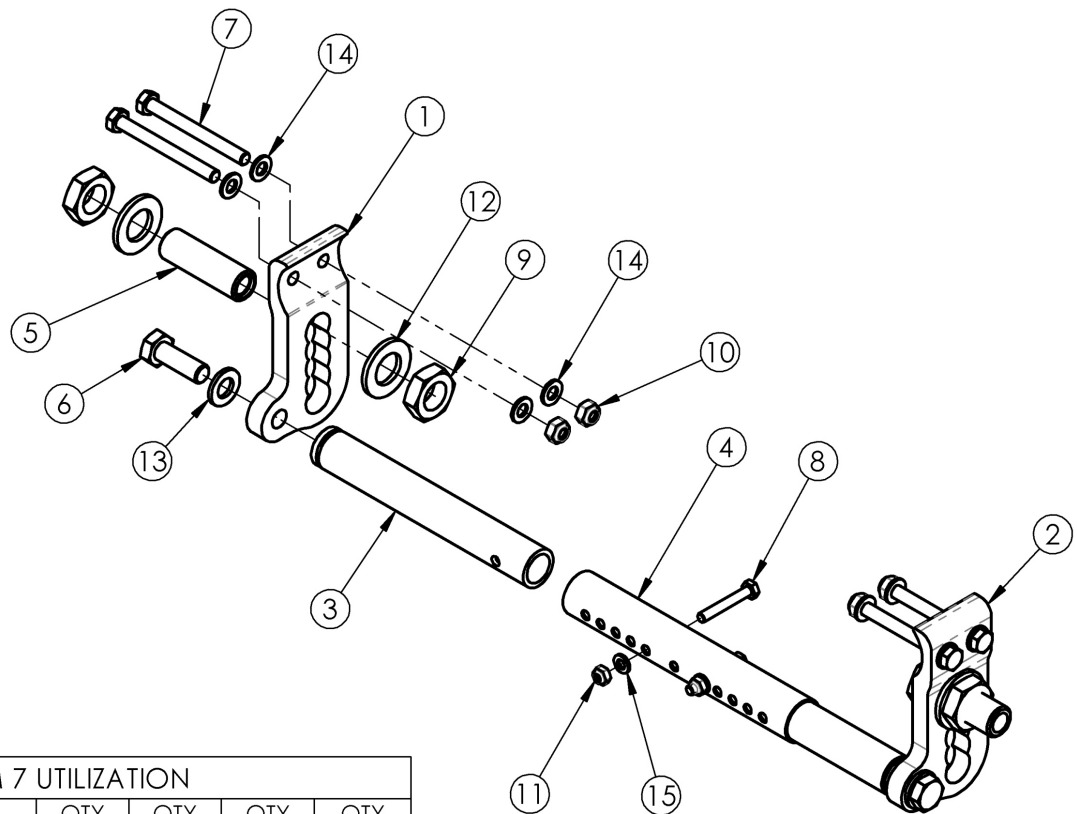


# Focus CR Inverted Axle Plate



ITEM 7 UTILIZATION

CONFIGURATION	QTY 101830	QTY 101831	QTY 101832	QTY 102384
VENT TRAY	4	-	-	-
CABLE TILT	-	4	-	-
FOOT TILT	-	2	2	-
CABLE TILT W/FOOT LOCK	-	-	4	-
FOOT TILT W/FOOT LOCK	-	-	2	2

If changing from a standard axle plate, new wheel locks may be required <p>

For axle plates used with the Drum Brake, see Focus CR Drum Brake page

Item Number	Part Number	Description	Quantity	Retail
1, 3, 5-7d, 9, 10, 12-14	506499	Inverted Axle Plate Kit, Right, Focus <i>Replacement for kit# 502643</i>	1	\$173.64
2, 3, 5-7d, 9, 10, 12-14	506500	Inverted Axle Plate Kit, Left, Focus <i>Replacement for kit# 502644</i>	1	\$173.64
1-3, 5-7d, 9, 10, 12-14	506501	Inverted Axle Plate Kit, Focus PAIR <i>Replacement for kit# 501425</i>	1	\$347.29
1	003772	Inverted Axle Plate Right - Tilt <i>Replacement for part# 001394 which was used on serial numbers prior to FCR0025346 and FCHD002317</i>	1	\$76.55

Item Number	Part Number	Description	Quantity	Retail
2	003773	Inverted Axle Plate Left - Tilt <i>Replacement for part# 001395 which was used on serial numbers prior to FCR0025346 and FCHD002317</i>	1	\$76.55
3	001067	Axle Strut Tilt	2	\$41.27
4a	001011	Growth Strut, Base, Small Tilt	1	\$18.91
4b	001012	Growth Strut, Base, Medium Tilt	1	\$18.91
4c	001013	Growth Strut, Base, Large Tilt	1	\$18.91
4d	112005	Growth Strut, Base, X-Large Tilt	1	\$21.00
5	001419	HD Axle Receiver Tilt	2	\$20.07
6	101833	HHCS M12 X 1.75 X 35 ENVRBLK W/PRE5, DIN933	2	\$8.40
7a	101830	M8 x 70 HHCS Blk Zn	4	\$2.63
7b	101831	M8 x 80 HHCS Blk Zn	4	\$3.07
7c	101832	M8 x 90 HHCS Blk Zn	4	\$3.68
7d	102384	M8 x 100 HHCS Blk Zc Part THD	2	\$3.68
8	101825	M6 x 40 HHCS Blk Zn	2	\$1.05
9	101836	Nut M20 x 1.5 Thin Blk Zn	4	\$3.68
10	100659	M8 Nylock Nut Blk Zn	4	\$1.05
11	100658	M6 Nylock Nut Blk Zn	2	\$1.05
12	101855	Washer 3/4 SAE G8 Blk Zn	4	\$2.10
13	101860	Washer Flat M12 Blk Zn	2	\$1.05
14	101858	Washer Flat M8 Blk Zn	8	\$0.53
15	100746	M6 Flat Washer Blk Zn	2	\$1.58

Inverted axle plates are not used with wheels 20" or larger.

Wheel	Tire	Caster	Standard Axle Plate Seat Heights	Inverted Axle Plate Seat Heights
12" Mag	Pneumatic	5"	13.5" - 14.5"	17.5" - 19.5"
12" Mag	Pneumatic	6"	14.5"	17.5" - 19.5"
12" Mag	Pneumatic	6x2"	14.5"	17.5" - 19.5"
12" Mag	Pneumatic	7"	n/a	17.5" - 19.5"
12" Mag	Pneumatic	8"	n/a	17" - 19.5"
12" Mag	Pneumatic	8"x1.5"	n/a	17.5" - 19.5"
12" Mag	Pneumatic	8x2"	n/a	17.5" - 19.5"
12" Mag	Full Poly	5"	n/a	16.5" - 19"
12" Mag	Full Poly	6"	n/a	16.5" - 19"
12" Mag	Full Poly	6x2"	n/a	16.5" - 19"
12" Mag	Full Poly	7"	n/a	16.5" - 19"
12" Mag	Full Poly	8"	n/a	16." - 18.5"
12" Mag	Full Poly	8"x1.5"	n/a	16.5" - 19"
12" Mag	Full Poly	8x2"	n/a	17" - 18.5"
12" Mag w/ Drum Brake	Pneumatic	5"	13" - 14.5"	17.5" - 20"
12" Mag w/ Drum Brake	Pneumatic	6"	14" - 14.5"	17.5" - 19.5"
12" Mag w/ Drum Brake	Pneumatic	6x2"	14" - 14.5"	17.5" - 20"
12" Mag w/ Drum Brake	Pneumatic	7"	n/a	17.5" - 20"
12" Mag w/ Drum Brake	Pneumatic	8"	n/a	17.5" - 20"
12" Mag w/ Drum Brake	Pneumatic	8"x1.5"	n/a	17.5" - 19.5"
12" Mag w/ Drum Brake	Pneumatic	8x2"	n/a	17.5" - 19.5"
12" Mag w/ Drum Brake	Full Poly	5"	13" - 14.5"	17.5" - 19.5"
12" Mag w/ Drum Brake	Full Poly	6"	14" - 14.5"	17.5" - 19.5"
12" Mag w/ Drum Brake	Full Poly	6x2"	14" - 14.5"	17.5" - 19.5"
12" Mag w/ Drum Brake	Full Poly	7"	n/a	17.5" - 19.5"
12" Mag w/ Drum Brake	Full Poly	8"	n/a	17.5" - 19.5"
12" Mag w/ Drum Brake	Full Poly	8"x1.5"	n/a	17.5" - 19.5"
12" Mag w/ Drum Brake	Full Poly	8x2"	n/a	17.5" - 19.5"

Inverted axle plates are not used with wheels 20" or larger.

Wheel	Tire	Caster	Standard Axle Plate Seat Heights	Inverted Axle Plate Seat Heights
16" Mag	Pneumatic	5"	13" - 16"	19" - 20.5"
16" Mag	Pneumatic	6"	14" - 16"	19" - 20.5"
16" Mag	Pneumatic	6x2"	14" - 16"	19" - 20.5"
16" Mag	Pneumatic	7"	15" - 16"	19" - 20.5"
16" Mag	Pneumatic	8"	16"	19" - 20.5"
16" Mag	Pneumatic	8"x1.5"	15.5" - 16"	19" - 20.5"
16" Mag	Pneumatic	8x2"	16"	19" - 20.5"
16" Mag	Full Poly	5"	13" - 16.5"	19" - 20.5"
16" Mag	Full Poly	6"	14" - 16.5"	19" - 20.5"
16" Mag	Full Poly	6x2"	14" - 16.5"	19" - 20.5"
16" Mag	Full Poly	7"	15" - 16.5"	19.5" - 20.5"
16" Mag	Full Poly	8"	16"	19" - 20.5"
16" Mag	Full Poly	8"x1.5"	15.5" - 16.5"	19" - 20.5"
16" Mag	Full Poly	8x2"	16" - 16.5"	19" - 20.5"
16" Mag	Low Poly	5"	13" - 15"	18" - 20"
16" Mag	Low Poly	6"	14" - 15"	18" - 20"
16" Mag	Low Poly	6x2"	14" - 15"	18" - 20.5"
16" Mag	Low Poly	7"	n/a	18" - 20.5"
16" Mag	Low Poly	8"	n/a	18" - 20.5"
16" Mag	Low Poly	8"x1.5"	n/a	18" - 20"
16" Mag	Low Poly	8x2"	n/a	18" - 20"
16" Mag w/ Drum Brake	All	5"	13.5" - 16"	19" - 20.5"
16" Mag w/ Drum Brake	All	6"	14" - 16"	18.5" - 20.5"
16" Mag w/ Drum Brake	All	6x2"	14" - 16"	18.5" - 20.5"
16" Mag w/ Drum Brake	All	7"	15" - 15.5"	18.5" - 20.5"
16" Mag w/ Drum Brake	All	8"	n/a	18.5" - 20.5"
16" Mag w/ Drum Brake	All	8"x1.5"	15.5" - 16"	18.5" - 20.5"
16" Mag w/ Drum Brake	All	8x2"	16"	18.5" - 20.5"