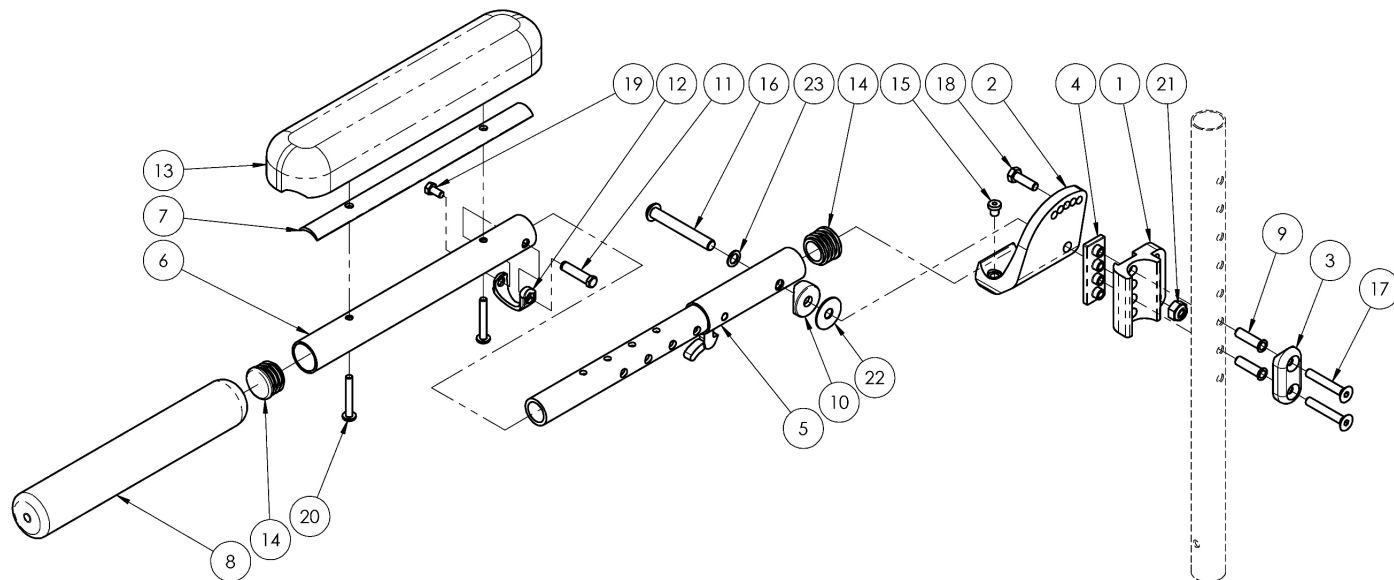


# Pediatric Angle Adjustable Locking Flip Up Armrest



*Pediatric Angle Adjustable Locking Flip Up Armrest is used on Spark, Little Wave Klik, Little Wave Flip, and Little Wave Arc. Armrest is not retrofittable on Little Wave XP. Armrest effective 12/22/16 starting with serial numbers C5LW003950, C5S0005196, FLP006342, CLK002966, TSLW003620, LW0004958, and TSTR004023. Changing from foam grip to arm pad new #6 needed.*

Item Number	Part Number	Description	Quantity
1a, 2a, 3-5, 6a, 7a, 9-12, 13b, 14-23	504325	Pediatric Angle Adjustable Locking Flip Up Armrest Assembly Desk Pad w/ Mounting Hardware, Right	1
1b, 2b, 3-5, 6a, 7a, 9-12, 13b, 14-23	504326	Pediatric Angle Adjustable Locking Flip Up Armrest Assembly Desk Pad w/ Mounting Hardware, Left	1
1-5, 6a, 7a, 9-12, 13b, 14-23	504327	Pediatric Angle Adjustable Locking Flip Up Armrest Assembly Desk Pad w/ Mounting Hardware, PAIR	1
1a, 2a, 3-5, 6b, 7b, 9-12, 13a, 14-23	504328	Pediatric Angle Adjustable Locking Flip Up Armrest Assembly Full Pad w/ Mounting Hardware, Right	1
1b, 2b, 3-5, 6b, 7b, 9-12, 13a, 14-23	504329	Pediatric Angle Adjustable Locking Flip Up Armrest Assembly Full Pad w/ Mounting Hardware, Left	1
1-5, 6b, 7b, 9-12, 13a, 14-23	504330	Pediatric Angle Adjustable Locking Flip Up Armrest Assembly Full Pad w/ Mounting Hardware, PAIR	1
1a, 2a, 3-5, 6a, 8a, 9-12, 14-19, 21-23	504331	Pediatric Angle Adjustable Locking Flip Up Armrest Assembly Desk Foam Grip w/ Mounting Hardware, Right	1
1b, 2b, 3-5, 6a, 8a, 9-12, 14-19, 21-23	504332	Pediatric Angle Adjustable Locking Flip Up Armrest Assembly Desk Foam Grip w/ Mounting Hardware, Left	1

Item Number	Part Number	Description	Quantity
1-5, 6a, 8a, 9-12, 14-19, 21-23	504333	Pediatric Angle Adjustable Locking Flip Up Armrest Assembly Desk Foam Grip w/ Mounting Hardware, PAIR	1
1a, 2a, 3-5, 6b, 8b, 9-12, 14-19, 21-23	504334	Pediatric Angle Adjustable Locking Flip Up Armrest Assembly Full Foam Grip w/ Mounting Hardware, Right	1
1b, 2b, 3-5, 6b, 8b, 9-12, 14-19, 21-23	504335	Pediatric Angle Adjustable Locking Flip Up Armrest Assembly Full Foam Grip w/ Mounting Hardware, Left	1
1-5, 6b, 8b, 9-12, 14-19, 21-23	504336	Pediatric Angle Adjustable Locking Flip Up Armrest Assembly Full Foam Grip w/ Mounting Hardware, PAIR	1
5, 6a, 7a, 10-12, 13b, 14, 16, 19, 20, 22, 23	506114	Pediatric Angle Adjustable Locking Flip Up Armrest Assembly Desk Pad, Right	1
5, 6a, 7a, 10-12, 13b, 14, 16, 19, 20, 22, 23	506115	Pediatric Angle Adjustable Locking Flip Up Armrest Assembly Desk Pad, Left	1
5, 6a, 7a, 10-12, 13b, 14, 16, 19, 20, 22, 23	506116	Pediatric Angle Adjustable Locking Flip Up Armrest Assembly Desk Pad, PAIR	1
5, 6b, 7b, 10-12, 13a, 14, 16, 19, 20, 22, 23	506117	Pediatric Angle Adjustable Locking Flip Up Armrest Assembly Full Pad, Right	1
5, 6b, 7b, 10-12, 13a, 14, 16, 19, 20, 22, 23	506118	Pediatric Angle Adjustable Locking Flip Up Armrest Assembly Full Pad, Left	1
5, 6b, 7b, 10-12, 13a, 14, 16, 19, 20, 22, 23	506119	Pediatric Angle Adjustable Locking Flip Up Armrest Assembly Full Pad, PAIR	1
5, 6a, 8a, 10-12, 14, 16, 19, 22, 23	506120	Pediatric Angle Adjustable Locking Flip Up Armrest Assembly Desk Foam Grip, Right	1
5, 6a, 8a, 10-12, 14, 16, 19, 22, 23	506121	Pediatric Angle Adjustable Locking Flip Up Armrest Assembly Desk Foam Grip, Left	1
5, 6a, 8a, 10-12, 14, 16, 19, 22, 23	506122	Pediatric Angle Adjustable Locking Flip Up Armrest Assembly Desk Foam Grip, PAIR	1
5, 6b, 8b, 10-12, 14, 16, 19, 22, 23	506123	Pediatric Angle Adjustable Locking Flip Up Armrest Assembly Full Foam Grip, Right	1
5, 6b, 8b, 10-12, 14, 16, 19, 22, 23	506124	Pediatric Angle Adjustable Locking Flip Up Armrest Assembly Full Foam Grip, Left	1
5, 6b, 8b, 10-12, 14, 16, 19, 22, 23	506125	Pediatric Angle Adjustable Locking Flip Up Armrest Assembly Full Foam Grip, PAIR	1
1a, 2a, 3, 4, 9, 15, 17, 18, 21	504310	Angle Adjustable Locking Flip Up Arm Mounting Hardware Assembly, Right	1

Item Number	Part Number	Description	Quantity
1b, 2b, 3, 4, 9, 15, 17, 18, 21	504311	Angle Adjustable Locking Flip Up Arm Mounting Hardware Assembly, Left	1
1-4, 9, 15, 17, 18, 21	504312	Angle Adjustable Locking Flip Up Arm Mounting Hardware Assembly, PAIR	1
6a, 8a, 14	504337	Locking Flip Up Arm Extension and Foam Grip Kit, Desk	1
6b, 8b, 14	504338	Locking Flip Up Arm Extension and Foam Grip Kit, Full	1
1a	002836	Locking Flip Up Arm Mount Bracket Right	1
1b	002837	Locking Flip Up Arm Mount Bracket Left	1
2a	002838	Locking Flip Up Arm Index Bracket Right	1
2b	002839	Locking Flip Up Arm Index Bracket Left	1
3	002840	Locking Flip Up Arm Dual Saddle 1"OD x 1"SP	1
4	002841	Locking Flip Up Arm Nut Plate	1
5	003192	Locking Flip Up Arm Aluminum Tube Assembly	1
6a	002844	Locking Flip Up Arm Extension Tube Desk	1
6b	002845	Locking Flip Up Arm Extension Tube Full	1
7a	002849	Locking Flip Up Arm Pad Adapter Desk	1
7b	002850	Locking Flip Up Arm Pad Adapter Full	1
9	002914	Sleeve .266 OD x .236 ID x .97 LG <i>Only used on Little Wave Flip and Little Wave Arc models</i>	2
10	001271	1" Saddle, .323 Hole	1
11	000987	Threaded Fastener	1
12	000988	Fastener Retainer	1
13a	100500	Arm Pad Full	1
13b	100501	Arm Pad Desk	1
14	100804	Tube End Plug 1"	2
15	102870	Bumper, .375 HD x .25 Stem	1
16	102865	M8 X 60, BHCS, 28mm THD, BZ	1
17	101819	M6 x 40 FHCS Blk Zn	2
18	101823	M6 X 20 Hhcs Blk Zn	1
19	200427	M5 x 10 CLS8.8 HHCS ZC w/Patch DIN933	1

Item Number	Part Number	Description	Quantity
20	102867	M5 X 35 PAN HD PHP, BLK ZN <i>Used with arm pads</i>	2
21	100659	M8 Nylock Nut Blk Zn	1
22	102866	Washer, Nylon, 1"OD x.318ID x.04	1
23	101861	Nylon Washer 5/16 x 1/2 x .03	1