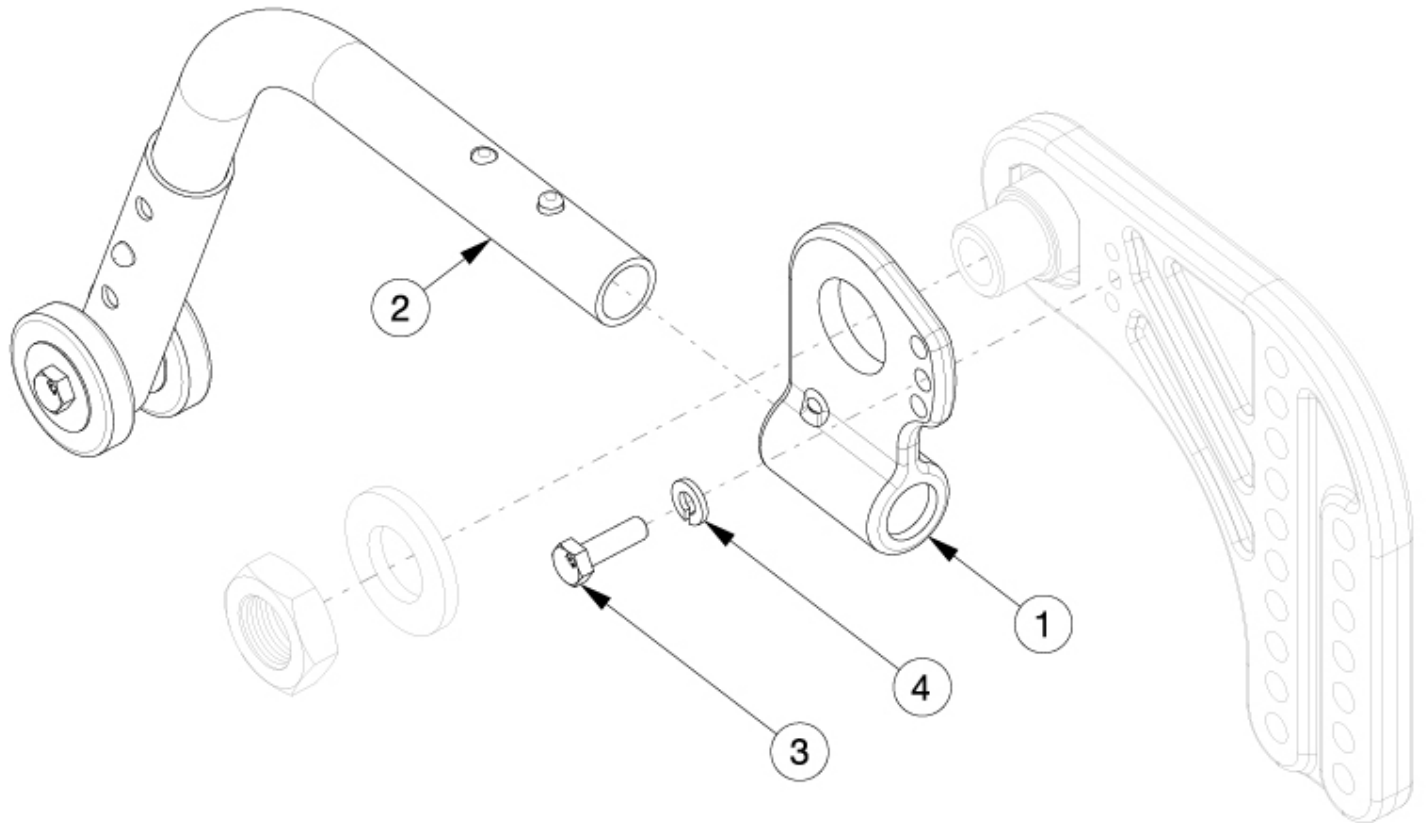


# Liberty Rear Anti-Tip



If retrofitting, Anti-Tip Receivers will be needed.

| Item Number | Part Number | Description  | Quantity |
|-------------|-------------|--|----------|
| 1           | 003332      | Receiver, Anti-Tip   | 1        |
| 2a          | 119676      | Anti-Tip Assembly, 12", Liberty / Arc<br><i>Replaces 004076</i>                              | 1        |
| 2b          | 119677      | Anti-Tip Assembly, 16", Liberty / Arc<br><i>Replaces 004077</i>                              | 1        |
| 2c          | 119678      | Anti-Tip Assembly, 20", Liberty / Arc<br><i>Replaces 004078</i>                              | 1        |
| 2d          | 119679      | Anti-Tip Assembly, 22-24", Liberty, Arc, Cr45<br><i>Comes pre-assembled as entire lower.</i> | 1        |
| 3           | 101823      | M6 X 20 Hhcs Blk Zn  | 1        |
| 4           | 101835      | M6 Lock Washer Blk Zn  | 1        |