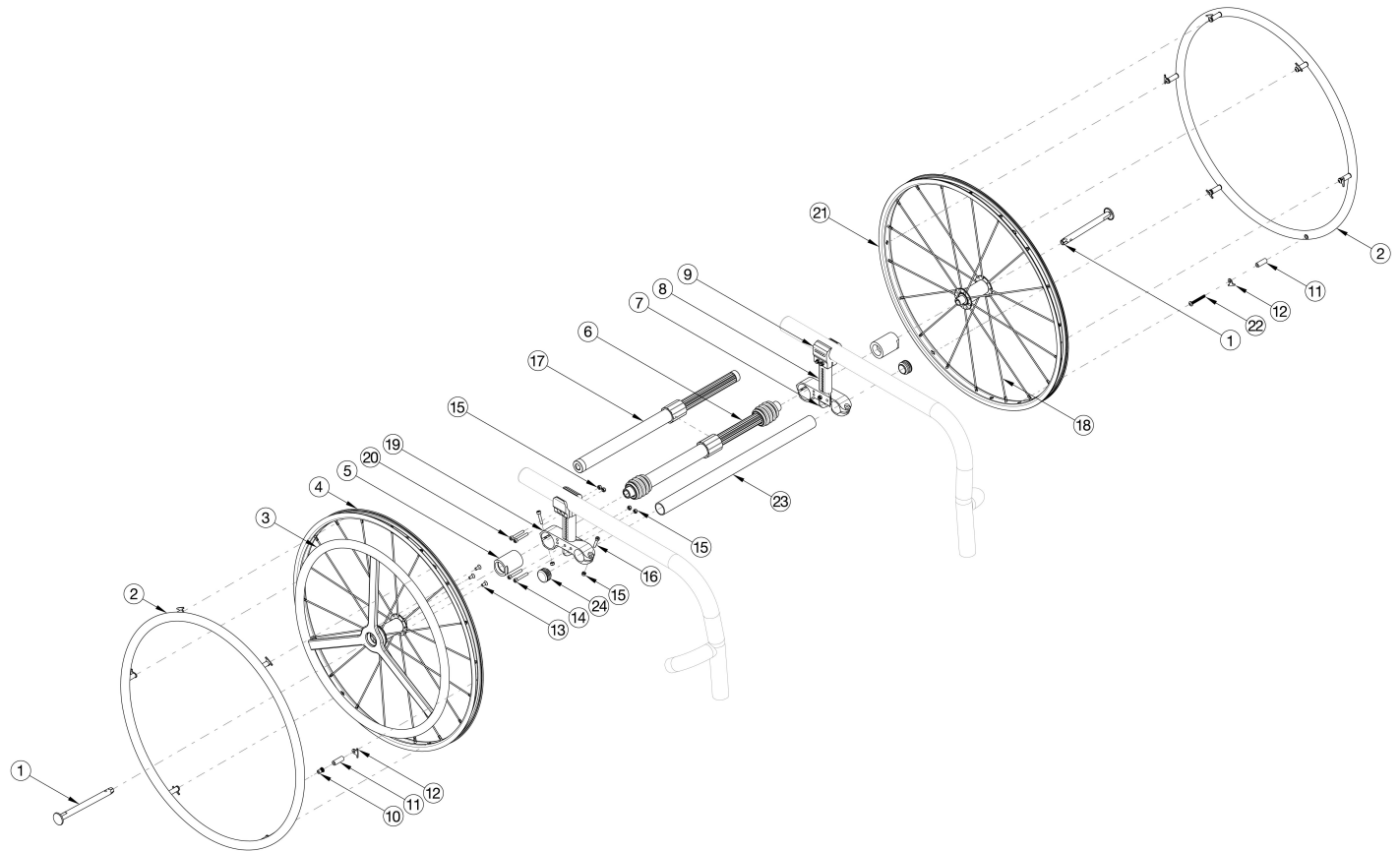


Rogue / Rogue2 / Rogue XP 24" One Arm Drive Quick Release - Aluminum Drive Handrim



If retrofitting to add the One Arm Drive, new rear towers are required in addition to the complete One Arm Drive system and camber tube kit. Effective 5/13/2022, all One Arm Drives will be shipped with a close mounted handrim on the non-drive wheel. Most One Arm Drive kits do not include rear tires. Tires need to be quoted separately.

Item Number	Part Number	Description	Quantity
1, 2, 3a, 4, 5a, 10-16, 17a, 19, 21	112699	Rogue Quick Release One Arm Drive Retrofit Kit, 0° Camber, 24" Spoke with Aluminum Drive Handrim, Aluminum Non Drive Handrim, 177-255mm Drive Shaft	1
1, 2, 3a, 4, 5a, 10-16, 17b, 19, 21	112700	Rogue Quick Release One Arm Drive Retrofit Kit, 0° Camber, 24" Spoke with Aluminum Drive Handrim, Aluminum Non Drive Handrim, 225-295mm Drive Shaft	1
1, 2, 3a, 4, 5a, 10-16, 17c, 19, 21	112701	Rogue Quick Release One Arm Drive Retrofit Kit, 0° Camber, 24" Spoke with Aluminum Drive Handrim, Aluminum Non Drive Handrim, 260-370mm Drive Shaft	1
1, 2, 3a, 4, 5a, 10-16, 17d, 19, 21	112702	Rogue Quick Release One Arm Drive Retrofit Kit, 0° Camber, 24" Spoke with Aluminum Drive Handrim, Aluminum Non Drive Handrim, 330-440mm Drive Shaft	1

Item Number	Part Number	Description	Quantity
1, 2, 3a, 4, 5a, 10-16, 17e, 19, 21	112703	Rogue Quick Release One Arm Drive Retrofit Kit, 0° Camber, 24" Spoke with Aluminum Drive Handrim, Aluminum Non Drive Handrim, 421-491mm Drive Shaft	1
1, 2, 3a, 4, 5b, 6a, 10-16, 19, 21	112704	Rogue Quick Release One Arm Drive Retrofit Kit, 2° Camber, 24" Spoke with Aluminum Drive Handrim, Aluminum Non Drive Handrim, 170-195mm Drive Shaft	1
1, 2, 3a, 4, 5b, 6b, 10-16, 19, 21	112705	Rogue Quick Release One Arm Drive Retrofit Kit, 2° Camber, 24" Spoke with Aluminum Drive Handrim, Aluminum Non Drive Handrim, 180-210mm Drive Shaft	1
1, 2, 3a, 4, 5b, 6c, 10-16, 19, 21	112706	Rogue Quick Release One Arm Drive Retrofit Kit, 2° Camber, 24" Spoke with Aluminum Drive Handrim, Aluminum Non Drive Handrim, 195-235mm Drive Shaft	1
1, 2, 3a, 4, 5b, 6d, 10-16, 19, 21	112707	Rogue Quick Release One Arm Drive Retrofit Kit, 2° Camber, 24" Spoke with Aluminum Drive Handrim, Aluminum Non Drive Handrim, 220-280mm Drive Shaft	1
1, 2, 3a, 4, 5b, 6e, 10-16, 19, 21	112708	Rogue Quick Release One Arm Drive Retrofit Kit, 2° Camber, 24" Spoke with Aluminum Drive Handrim, Aluminum Non Drive Handrim, 270-330mm Drive Shaft	1
1, 2, 3a, 4, 5b, 6f, 10-16, 19, 21	112709	Rogue Quick Release One Arm Drive Retrofit Kit, 2° Camber, 24" Spoke with Aluminum Drive Handrim, Aluminum Non Drive Handrim, 295-370mm Drive Shaft	1
1, 2, 3a, 4, 5b, 6g, 10-16, 19, 21	112710	Rogue Quick Release One Arm Drive Retrofit Kit, 2° Camber, 24" Spoke with Aluminum Drive Handrim, Aluminum Non Drive Handrim, 350-460mm Drive Shaft	1
1, 2, 3a, 4, 5b, 6h, 10-16, 19, 21	112711	Rogue Quick Release One Arm Drive Retrofit Kit, 2° Camber, 24" Spoke with Aluminum Drive Handrim, Aluminum Non Drive Handrim, 420-530mm Drive Shaft	1
1, 2, 3a, 4, 5c, 6c, 10-16, 19, 21	112712	Rogue Quick Release One Arm Drive Retrofit Kit, 4° Camber, 24" Spoke with Aluminum Drive Handrim, Aluminum Non Drive Handrim, 195-235mm Drive Shaft	1
1, 2, 3a, 4, 5c, 6d, 10-16, 19, 21	112713	Rogue Quick Release One Arm Drive Retrofit Kit, 4° Camber, 24" Spoke with Aluminum Drive Handrim, Aluminum Non Drive Handrim, 220-280mm Drive Shaft	1
1, 2, 3a, 4, 5c, 6e, 10-16, 19, 21	112714	Rogue Quick Release One Arm Drive Retrofit Kit, 4° Camber, 24" Spoke with Aluminum Drive Handrim, Aluminum Non Drive Handrim, 270-330mm Drive Shaft	1
1, 2, 3a, 4, 5c, 6f, 10-16, 19, 21	112715	Rogue Quick Release One Arm Drive Retrofit Kit, 4° Camber, 24" Spoke with Aluminum Drive Handrim, Aluminum Non Drive Handrim, 295-370mm Drive Shaft	1
1, 2, 3a, 4, 5c, 6g, 10-16, 19, 21	112716	Rogue Quick Release One Arm Drive Retrofit Kit, 4° Camber, 24" Spoke with Aluminum Drive Handrim, Aluminum Non Drive Handrim, 350-460mm Drive Shaft	1

Item Number	Part Number	Description	Quantity
1, 2, 3a, 4, 5a, 10-16, 17a, 19, 21	121464	Rogue Quick Release One Arm Drive Retrofit Kit, 0° Camber, 24" Spoke with Aluminum Drive Handrim, Plastic Coated Non Drive Handrim, 177-255mm Drive Shaft	1
1, 2, 3a, 4, 5a, 10-16, 17b, 19, 21	121465	Rogue Quick Release One Arm Drive Retrofit Kit, 0° Camber, 24" Spoke with Aluminum Drive Handrim, Plastic Coated Non Drive Handrim, 225-295mm Drive Shaft	1
1, 2, 3a, 4, 5a, 10-16, 17c, 19, 21	121466	Rogue Quick Release One Arm Drive Retrofit Kit, 0° Camber, 24" Spoke with Aluminum Drive Handrim, Plastic Coated Non Drive Handrim, 260-370mm Drive Shaft	1
1, 2, 3a, 4, 5a, 10-16, 17d, 19, 21	121467	Rogue Quick Release One Arm Drive Retrofit Kit, 0° Camber, 24" Spoke with Aluminum Drive Handrim, Plastic Coated Non Drive Handrim, 330-440mm Drive Shaft	1
1, 2, 3a, 4, 5a, 10-16, 17e, 19, 21	121468	Rogue Quick Release One Arm Drive Retrofit Kit, 0° Camber, 24" Spoke with Aluminum Drive Handrim, Plastic Coated Non Drive Handrim, 421-491mm Drive Shaft	1
1, 2, 3a, 4, 5b, 6a, 10-16, 19, 21	121469	Rogue Quick Release One Arm Drive Retrofit Kit, 2° Camber, 24" Spoke with Aluminum Drive Handrim, Plastic Coated Non Drive Handrim, 170-195mm Drive Shaft	1
1, 2, 3a, 4, 5b, 6b, 10-16, 19, 21	121470	Rogue Quick Release One Arm Drive Retrofit Kit, 2° Camber, 24" Spoke with Aluminum Drive Handrim, Plastic Coated Non Drive Handrim, 180-210mm Drive Shaft	1
1, 2, 3a, 4, 5b, 6c, 10-16, 19, 21	121471	Rogue Quick Release One Arm Drive Retrofit Kit, 2° Camber, 24" Spoke with Aluminum Drive Handrim, Plastic Coated Non Drive Handrim, 195-235mm Drive Shaft	1
1, 2, 3a, 4, 5b, 6d, 10-16, 19, 21	121472	Rogue Quick Release One Arm Drive Retrofit Kit, 2° Camber, 24" Spoke with Aluminum Drive Handrim, Plastic Coated Non Drive Handrim, 220-280mm Drive Shaft	1
1, 2, 3a, 4, 5b, 6e, 10-16, 19, 21	121473	Rogue Quick Release One Arm Drive Retrofit Kit, 2° Camber, 24" Spoke with Aluminum Drive Handrim, Plastic Coated Non Drive Handrim, 270-330mm Drive Shaft	1
1, 2, 3a, 4, 5b, 6f, 10-16, 19, 21	121474	Rogue Quick Release One Arm Drive Retrofit Kit, 2° Camber, 24" Spoke with Aluminum Drive Handrim, Plastic Coated Non Drive Handrim, 295-370mm Drive Shaft	1
1, 2, 3a, 4, 5b, 6g, 10-16, 19, 21	121475	Rogue Quick Release One Arm Drive Retrofit Kit, 2° Camber, 24" Spoke with Aluminum Drive Handrim, Plastic Coated Non Drive Handrim, 350-460mm Drive Shaft	1
1, 2, 3a, 4, 5b, 6h, 10-16, 19, 21	121476	Rogue Quick Release One Arm Drive Retrofit Kit, 2° Camber, 24" Spoke with Aluminum Drive Handrim, Plastic Coated Non Drive Handrim, 420-530mm Drive Shaft	1
1, 2, 3a, 4, 5c, 6c, 10-16, 19, 21	121477	Rogue Quick Release One Arm Drive Retrofit Kit, 4° Camber, 24" Spoke with Aluminum Drive Handrim, Plastic Coated Non Drive Handrim, 195-235mm Drive Shaft	1

Item Number	Part Number	Description	Quantity
1, 2, 3a, 4, 5c, 6d, 10-16, 19, 21	121478	Rogue Quick Release One Arm Drive Retrofit Kit, 4° Camber, 24" Spoke with Aluminum Drive Handrim, Plastic Coated Non Drive Handrim, 220-280mm Drive Shaft	1
1, 2, 3a, 4, 5c, 6e, 10-16, 19, 21	121479	Rogue Quick Release One Arm Drive Retrofit Kit, 4° Camber, 24" Spoke with Aluminum Drive Handrim, Plastic Coated Non Drive Handrim, 270-330mm Drive Shaft	1
1, 2, 3a, 4, 5c, 6f, 10-16, 19, 21	121480	Rogue Quick Release One Arm Drive Retrofit Kit, 4° Camber, 24" Spoke with Aluminum Drive Handrim, Plastic Coated Non Drive Handrim, 295-370mm Drive Shaft	1
1, 2, 3a, 4, 5c, 6g, 10-16, 19, 21	121481	Rogue Quick Release One Arm Drive Retrofit Kit, 4° Camber, 24" Spoke with Aluminum Drive Handrim, Plastic Coated Non Drive Handrim, 350-460mm Drive Shaft	1
1, 2, 11b, 12, 21, 22	119589	Quick Release One Arm Drive, 24" Spoke Wheel with Axle (Driven Side) and Close Mounted Aluminum Handrim	1
1, 3a, 4, 13	112901	Quick Release One Arm Drive Drive, 24" Spoke Wheel with Axle and Aluminum Drive Handrim	1
10, 11a, 12	502168	Handrim Hardware Kit, 6 Rivet Nut, EACH	1
2a	200349	Handrim Hard Anodized 6 Rivet Nut 24" <i>Does not include mounting hardware</i>	1
2b	112821	Handrim Plastic Coated 6 Rivet Nut 24" <i>Does not include mounting hardware</i>	1
2a, 11b, 12, 22	116449	Aluminum Anodized Handrim 6 Rivet Nut 24" with Close Mount Hardware, Non-Drive Side	1
2b, 11b, 12, 22	121852	Plastic Coated Handrim 6 Rivet Nut 24" with Close Mount Hardware, Non-Drive Side	1
3a	111520	Quick Release One Arm Drive, Aluminum Drive Side Handrim for 24" Wheel <i>Does not include mounting hardware</i>	1
3b	118248	Quick Release One Arm Drive, Aluminum Drive Side Handrim for 24" Wheel with Micro Grip <i>Does not include mounting hardware</i>	1
5a	107031	One Arm Drive Blade/Quick Release Camber Plug w/Bearings - 0° Camber	2
5a, 19	108074	One Arm Drive Rogue/Clik Axle Mount 0 Degree Camber PAIR	1
5b, 19	003209	One Arm Drive Rogue/Clik Axle Mount 2 Degree Camber, PAIR	1
5c, 19	003210	One Arm Drive Rogue/Clik Axle Mount 4 Degree Camber Each	2
6a	111858	One Arm Drive - Quick Release Camber Drive Shaft 170-195mm	1
6b	111627	One Arm Drive - Quick Release Camber Drive Shaft 180-210mm	1
6c	111628	One Arm Drive - Quick Release Camber Drive Shaft 195-235mm	1
6d	111498	One Arm Drive - Quick Release Camber Drive Shaft 220-280mm	1

Item Number	Part Number	Description	Quantity
6e	111499	One Arm Drive - Quick Release Camber Drive Shaft 270-330mm	1
6f	111500	One Arm Drive - Quick Release Camber Drive Shaft 295-370mm	1
6g	111501	One Arm Drive - Quick Release Camber Drive Shaft 350-460mm	1
6h	111502	One Arm Drive - Quick Release Camber Drive Shaft 420-530mm	1
7	000920	Camber Mount Cap Rigid	2
8a	000924	Camber Mount Tower Medium Black Anodized Rigid	1
8b	000924_ _ _	Color Anodized/Color Accent Camber Mount Tower Medium Rigid	2
8c	000925	Camber Mount Tower Long Black Anodized Rigid	2
8d	000925_ _ _	Color Anodized/Color Accent Camber Mount Tower Long Rigid	2
8e	000926	Camber Mount Tower Extra Long Black Anodized Rigid	2
8f	000926_ _ _	Color Anodized/Color Accent Camber Mount Tower Extra Long Rigid	2
9a, 15, 20	503289	Camber Tower Clamp Black Anodized w/ Hardware Assembly, One Side RG/LW <i>If negative CG, see Rogue and Little Wave Camber Mount page</i>	1
9b, 15, 20	503289_ _ _	Color Anodized/Color Accent Camber Tower Clamp w/ Hardware Assembly, One Side RG/LW <i>If negative CG, see Rogue and Little Wave Camber Mount page</i>	1
10	122063	PHMS, M5x0.8x40, CLS4.8, PHL, BLZ, NYL, DIN7985, Custom	6
11a	100653	Handrim Spacer Spoke	6
12	100698	Handrim Tab	6
13	103522	M5 x 0.8 x 12 FHCS CLS 10.9 Nyl Blk Zn DIN7991	3
14	101734	M5 x 35 SHCS BLK ZC	2
15	100657	M5 Nylock Nut Blk Zn	4
16	101717	M5 x 25 SHCS BLK ZC	2
17a	111503	One Arm Drive - Quick Release Zero Camber Drive Shaft 177-255mm	1
17b	111504	One Arm Drive - Quick Release Zero Camber Drive Shaft 225-295mm	1
17c	111505	One Arm Drive - Quick Release Zero Camber Drive Shaft 260-370mm	1
17d	111506	One Arm Drive - Quick Release Zero Camber Drive Shaft 330-440mm	1
17e	111507	One Arm Drive - Quick Release Zero Camber Drive Shaft 421-491mm	1

Item Number	Part Number	Description	Quantity
18c	111515	Replacement Spoke, Quick Release One Arm Drive, 24"	1
20	101186	M5 X 45 CLS12.9 DIN912 SHCS P/THD BLZ <i>Used with positive CG. If negative CG, see Rogue and Little Wave Camber Mount page</i>	4
21	111512	Quick Release One Arm Drive, 24" Spoke Wheel with Axle (Driven Side)	1
22	122065	BHCS, M5x0.8x25, CLS12.9, BLZ, NYL, ISO7380, Custom	1
23a	003369	One Arm Drive Camber Tube 11" Kit, Klik / Rogue XP <i>Does not include tube end plugs</i>	1
23b	003370	One Arm Drive Camber Tube 12" Kit, Klik / Rogue / Rogue XP <i>Does not include tube end plugs</i>	1
23c	003371	One Arm Drive Camber Tube 13" Kit, Klik / Rogue / Rogue XP <i>Does not include tube end plugs</i>	1
23d	003372	One Arm Drive Camber Tube 14" Kit, Klik / Rogue / Rogue XP <i>Does not include tube end plugs</i>	1
23e	003373	One Arm Drive Camber Tube 15" Kit, Klik / Rogue / Rogue XP <i>Does not include tube end plugs</i>	1
23f	003374	One Arm Drive Camber Tube 16" Kit, Klik / Rogue / Rogue XP <i>Does not include tube end plugs</i>	1
23g	003708	One Arm Drive Camber Tube 17" Kit, Klik / Rogue / Rogue XP <i>Does not include tube end plugs</i>	1
23h	003709	One Arm Drive Camber Tube 18" Kit, Klik / Rogue / Rogue XP <i>Does not include tube end plugs</i>	1
23i	116857	One Arm Drive Camber Tube 19" Kit, Rogue <i>Does not include tube end plugs</i>	1
23j	116858	One Arm Drive Camber Tube 20" Kit, Rogue <i>Does not include tube end plugs</i>	1
24	100532	Tube End Plug 1 1/8"	1

DRIVE SHAFT LENGTH BY CONFIGURATION				
ROGUE SEAT WIDTH	WHEEL SPACING	CAMBER	DESCRIPTION	PART NUMBER
SEAT WIDTH 11"	1.75	0	QUICK RELEASE OAD ZERO CAMBER DRIVE SHAFT 177-255MM	~111503
	.75, 1	2	QUICK RELEASE OAD CAMBER DRIVE SHAFT 170-195MM	#111858
	1.25	2	QUICK RELEASE OAD CAMBER DRIVE SHAFT 180-210MM	#111627
	1.5	2	QUICK RELEASE OAD CAMBER DRIVE SHAFT 195-235MM	#111628
	1.75	2	QUICK RELEASE OAD CAMBER DRIVE SHAFT 195-235MM	~111628
	1	4	QUICK RELEASE OAD CAMBER DRIVE SHAFT 195-235MM	#111628
	1.25	4	QUICK RELEASE OAD CAMBER DRIVE SHAFT 220-280MM	~111498
SEAT WIDTH 12"	1.5	0	QUICK RELEASE OAD ZERO CAMBER DRIVE SHAFT 177-255MM	111503
	1.75	0	QUICK RELEASE OAD ZERO CAMBER DRIVE SHAFT 177-255MM	~111503
	.75, 1	2	QUICK RELEASE OAD CAMBER DRIVE SHAFT 180-210MM	#111627
	1.25, 1.5	2	QUICK RELEASE OAD CAMBER DRIVE SHAFT 195-235MM	111628
	1.75	2	QUICK RELEASE OAD CAMBER DRIVE SHAFT 220-280MM	~111498
	0.75	4	QUICK RELEASE OAD CAMBER DRIVE SHAFT 195-235MM	111628
	1	4	QUICK RELEASE OAD CAMBER DRIVE SHAFT 220-280MM	~111498
1.25	4	QUICK RELEASE OAD CAMBER DRIVE SHAFT 220-280MM	~111498	
SEAT WIDTH 13"	1, 1.25, 1.5	0	QUICK RELEASE OAD ZERO CAMBER DRIVE SHAFT 177-255MM	111503
	1.75	0	QUICK RELEASE OAD ZERO CAMBER DRIVE SHAFT 225-295MM	~111504
	.75, 1	2	QUICK RELEASE OAD CAMBER DRIVE SHAFT 195-235MM	111628
	1.25, 1.5	2	QUICK RELEASE OAD CAMBER DRIVE SHAFT 220-280MM	111498
	1.75	2	QUICK RELEASE OAD CAMBER DRIVE SHAFT 220-280MM	~111498
	0.75	4	QUICK RELEASE OAD CAMBER DRIVE SHAFT 220-280MM	111498
	1	4	QUICK RELEASE OAD CAMBER DRIVE SHAFT 220-280MM	~111498
1.25	4	QUICK RELEASE OAD CAMBER DRIVE SHAFT 270-330MM	~111499	
SEAT WIDTH 14"	1, 1.25	0	QUICK RELEASE OAD ZERO CAMBER DRIVE SHAFT 177-255MM	111503
	1.5	0	QUICK RELEASE OAD ZERO CAMBER DRIVE SHAFT 225-295MM	111504
	1.75	0	QUICK RELEASE OAD ZERO CAMBER DRIVE SHAFT 225-295MM	~111504
	.75, 1, 1.25	2	QUICK RELEASE OAD CAMBER DRIVE SHAFT 220-280MM	111498
	1.5	2	QUICK RELEASE OAD CAMBER DRIVE SHAFT 270-330MM	#111499
	1.75	2	QUICK RELEASE OAD CAMBER DRIVE SHAFT 270-330MM	~111499
	0.75	4	QUICK RELEASE OAD CAMBER DRIVE SHAFT 270-330MM	#111499
1	4	QUICK RELEASE OAD CAMBER DRIVE SHAFT 270-330MM	~111499	
1.25	4	QUICK RELEASE OAD CAMBER DRIVE SHAFT 270-330MM	~111499	
SEAT WIDTH 15"	1, 1.25, 1.5	0	QUICK RELEASE OAD ZERO CAMBER DRIVE SHAFT 225-295MM	111504
	1.75	0	QUICK RELEASE OAD ZERO CAMBER DRIVE SHAFT 260-370MM	~111505
	0.75	2	QUICK RELEASE OAD CAMBER DRIVE SHAFT 220-280MM	111498
	1	2	QUICK RELEASE OAD CAMBER DRIVE SHAFT 270-330MM	#111499
	1.25, 1.5	2	QUICK RELEASE OAD CAMBER DRIVE SHAFT 270-330MM	111499
	1.75	2	QUICK RELEASE OAD CAMBER DRIVE SHAFT 295-370MM	~111500
	0.75	4	QUICK RELEASE OAD CAMBER DRIVE SHAFT 270-330MM	111499
	1	4	QUICK RELEASE OAD CAMBER DRIVE SHAFT 295-370MM	~111500
1.25	4	QUICK RELEASE OAD CAMBER DRIVE SHAFT 295-370MM	~111500	

Rogue No-Go Configurations			
Wheel Size	Camber	Wheel Spacing	Rear Seat Height
24	0	1	14.5
24	0	1	15
24	0	1	15.5
22	0	1	14.5
22	0	1	15
22	0	1	15.5
20	0	1	12.5
20	0	1	13

Seat width less than 16" + any rear wheel camber + any 5th wheel = N/A with QR OAD

#For this configuration, one wheel must be removed before the driveshaft can be installed. The second wheel can be installed
 ~For this configuration, tower assemblies are to be mounted outboard of the frame.
 NOTE: Tower assemblies must be mounted outboard of the frame when offset frames are used.
 NOTE: 1.25" minimum wheel spacing is required when side guards are used.

DRIVE SHAFT LENGTH BY CONFIGURATION				
ROGUE SEAT WIDTH	WHEEL SPACING	CAMBER	DESCRIPTION	PART NUMBER
SEAT WIDTH 16"	1	0	QUICK RELEASE OAD ZERO CAMBER DRIVE SHAFT 225-295MM	111504
	1.25, 1.5	0	QUICK RELEASE OAD ZERO CAMBER DRIVE SHAFT 260-370MM	111505
	1.75	0	QUICK RELEASE OAD ZERO CAMBER DRIVE SHAFT 260-370MM	~111505
	.75, 1	2	QUICK RELEASE OAD CAMBER DRIVE SHAFT 270-330MM	111499
	1.25, 1.5	2	QUICK RELEASE OAD CAMBER DRIVE SHAFT 295-370MM	111500
	1.75	2	QUICK RELEASE OAD CAMBER DRIVE SHAFT 295-370MM	~111500
	0.75	4	QUICK RELEASE OAD CAMBER DRIVE SHAFT 295-370MM	111500
	1	4	QUICK RELEASE OAD CAMBER DRIVE SHAFT 295-370MM	~111500
	1.25	4	QUICK RELEASE OAD CAMBER DRIVE SHAFT 295-370MM	~111500
SEAT WIDTH 17"	1, 1.25, 1.5	0	QUICK RELEASE OAD ZERO CAMBER DRIVE SHAFT 260-370MM	111505
	1.75	0	QUICK RELEASE OAD ZERO CAMBER DRIVE SHAFT 330-440MM	~111506
	.75, 1, 1.25, 1.5	2	QUICK RELEASE OAD CAMBER DRIVE SHAFT 295-370MM	111500
	1.75	2	QUICK RELEASE OAD CAMBER DRIVE SHAFT 350-460MM	~111501
	0.75	4	QUICK RELEASE OAD CAMBER DRIVE SHAFT 295-370MM	111500
	1	4	QUICK RELEASE OAD CAMBER DRIVE SHAFT 350-460MM	~111501
	1.25	4	QUICK RELEASE OAD CAMBER DRIVE SHAFT 350-460MM	~111501
SEAT WIDTH 18"	1, 1.25	0	QUICK RELEASE OAD ZERO CAMBER DRIVE SHAFT 260-370MM	111505
	1.5	0	QUICK RELEASE OAD ZERO CAMBER DRIVE SHAFT 330-440MM	111506
	1.75	0	QUICK RELEASE OAD ZERO CAMBER DRIVE SHAFT 330-440MM	~111506
	.75, 1	2	QUICK RELEASE OAD CAMBER DRIVE SHAFT 295-370MM	111500
	1.25, 1.5	2	QUICK RELEASE OAD CAMBER DRIVE SHAFT 350-460MM	111501
	1.75	2	QUICK RELEASE OAD CAMBER DRIVE SHAFT 350-460MM	~111501
	0.75	4	QUICK RELEASE OAD CAMBER DRIVE SHAFT 295-370MM	111500
	1	4	QUICK RELEASE OAD CAMBER DRIVE SHAFT 350-460MM	~111501
	1.25	4	QUICK RELEASE OAD CAMBER DRIVE SHAFT 350-460MM	~111501
SEAT WIDTH 19"	1, 1.25, 1.5	0	QUICK RELEASE OAD ZERO CAMBER DRIVE SHAFT 330-440MM	111506
	1.75	0	QUICK RELEASE OAD ZERO CAMBER DRIVE SHAFT 330-440MM	~111506
	0.75	2	QUICK RELEASE OAD CAMBER DRIVE SHAFT 220-280MM	111498
	1	2	QUICK RELEASE OAD CAMBER DRIVE SHAFT 270-330MM	111499
	1.25	2	QUICK RELEASE OAD CAMBER DRIVE SHAFT 295-370MM	111500
	1.5	2	QUICK RELEASE OAD CAMBER DRIVE SHAFT 350-460MM	111501
	1.75	2	QUICK RELEASE OAD CAMBER DRIVE SHAFT 350-460MM	~111501
	0.75	4	QUICK RELEASE OAD CAMBER DRIVE SHAFT 350-460MM	111501
	1	4	QUICK RELEASE OAD CAMBER DRIVE SHAFT 350-460MM	~111501
	1.25	4	QUICK RELEASE OAD CAMBER DRIVE SHAFT 350-460MM	~111501
SEAT WIDTH 20"	1, 1.25, 1.5	0	QUICK RELEASE OAD ZERO CAMBER DRIVE SHAFT 330-440MM	111506
	1.75	0	QUICK RELEASE OAD ZERO CAMBER DRIVE SHAFT 421-491MM	~111507
	0.75, 1, 1.25, 1.5	2	QUICK RELEASE OAD CAMBER DRIVE SHAFT 350-460MM	111501
	1.75	2	QUICK RELEASE OAD CAMBER DRIVE SHAFT 420-530MM	~111502
	0.75	4	QUICK RELEASE OAD CAMBER DRIVE SHAFT 350-460MM	111501
	1	4	QUICK RELEASE OAD CAMBER DRIVE SHAFT 420-530MM	~111502
	1.25	4	QUICK RELEASE OAD CAMBER DRIVE SHAFT 420-530MM	~111502

#For this configuration, one wheel must be removed before the driveshaft can be installed. The second wheel can be installed once

~For this configuration, tower assemblies are to be mounted outboard of the frame.

NOTE: Tower assemblies must be mounted outboard of the frame when offset frames are used.

NOTE: 1.25" minimum wheel spacing is required when side guards are used.

DRIVE SHAFT CONFIGURATIONS FOR ROGUE WITH T-ARMS				
ROGUE SEAT WIDTH	WHEEL SPACING	CAMBER	DESCRIPTION	PART NUMBER
SEAT WIDTH 11"	1.75	0	QUICK RELEASE OAD ZERO CAMBER DRIVE SHAFT 177-255MM	111503
	1.75	2	QUICK RELEASE OAD CAMBER DRIVE SHAFT 195-235MM	111628
SEAT WIDTH 12"	1.75	0	QUICK RELEASE OAD ZERO CAMBER DRIVE SHAFT 177-255MM	111503
	1.75	2	QUICK RELEASE OAD CAMBER DRIVE SHAFT 220-280MM	111498
SEAT WIDTH 13"	1.75	0	QUICK RELEASE OAD ZERO CAMBER DRIVE SHAFT 225-295MM	111504
	1.75	2	QUICK RELEASE OAD CAMBER DRIVE SHAFT 220-280MM	111498
SEAT WIDTH 14"	1.75	0	QUICK RELEASE OAD ZERO CAMBER DRIVE SHAFT 225-295MM	111504
	1.75	2	QUICK RELEASE OAD CAMBER DRIVE SHAFT 270-330MM	111499
SEAT WIDTH 15"	1.75	0	QUICK RELEASE OAD ZERO CAMBER DRIVE SHAFT 260-370MM	111505
	1.75	2	QUICK RELEASE OAD CAMBER DRIVE SHAFT 295-370MM	111500
SEAT WIDTH 16"	1.75	0	QUICK RELEASE OAD ZERO CAMBER DRIVE SHAFT 260-370MM	111505
	1.75	2	QUICK RELEASE OAD CAMBER DRIVE SHAFT 295-370MM	111500
SEAT WIDTH 17"	1.75	0	QUICK RELEASE OAD ZERO CAMBER DRIVE SHAFT 330-440MM	111506
	1.75	2	QUICK RELEASE OAD CAMBER DRIVE SHAFT 350-460MM	111501
SEAT WIDTH 18"	1.75	0	QUICK RELEASE OAD ZERO CAMBER DRIVE SHAFT 330-440MM	111506
	1.75	2	QUICK RELEASE OAD CAMBER DRIVE SHAFT 350-460MM	111501
SEAT WIDTH 19"	1.75	0	QUICK RELEASE OAD ZERO CAMBER DRIVE SHAFT 330-440MM	111506
	1.75	2	QUICK RELEASE OAD CAMBER DRIVE SHAFT 350-460MM	111501
SEAT WIDTH 20"	1.75	0	QUICK RELEASE OAD ZERO CAMBER DRIVE SHAFT 421-491MM	111507
	1.75	2	QUICK RELEASE OAD CAMBER DRIVE SHAFT 420-530MM	111502

NOTE: TOWER ASSEMBLIES ARE TO BE MOUNTED OUTBOARD OF THE FRAME WHEN T-ARMS ARE USED.

Color Anodizing Samples

