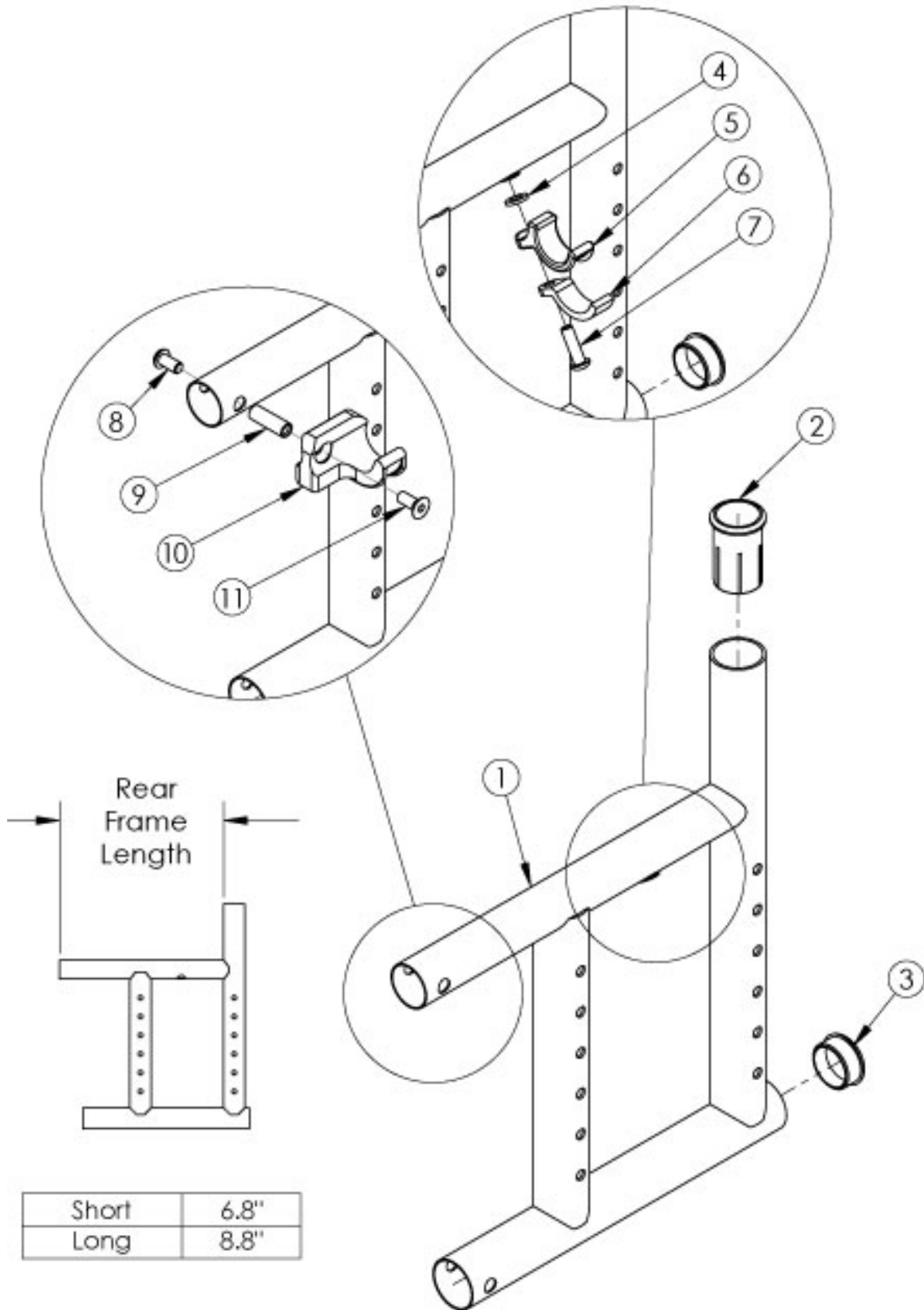


# Catalyst 5Ti Rear Frame



If chair has any type of direct mount side guards, select a frame assembly with Side Guard Mount Modification. Use the short frame for 14-17" Seat Depths. Use long the frame for 18-20" Seat Depths. If switching to a new Seat Depth, new Height Adjustable Flip Back T-Arms may be required.

| Item Number | Part Number | Description  | Quantity |
|-------------|-------------|--|----------|
| 4, 5, 6, 7a | 501005      | Seat Hook and Support Hardware Kit, Standard, Catalyst<br><i>Used with Standard Weight Capacity. This kit contains quantity of 1 each</i>                            | 1        |
| 4, 5, 6, 7b | 114528      | Seat Hook and Support Hardware Kit, Standard, for Heavy Duty Catalyst<br><i>Used with Heavy Duty / 350 lbs Weight Capacity. This kit contains quantity of 1 each</i> | 1        |
| 1c, 2, 3    | 100277      | Frame Assm Cat TI Rear Left Short  | 1        |
| 1a, 2, 3    | 100275      | Frame Assm Cat TI Rear Right Short   | 1        |
| 1d, 2, 3    | 100278      | Frame Assm Cat TI Rear Left Long   | 1        |
| 1b, 2, 3    | 100276      | Frame Assm Cat TI Rear Right Long  | 1        |
| 1c, 2, 3    | 114424      | Frame Assm Cat TI Rear with Side Guard Mount Modification Left Short   | 1        |
| 1a, 2, 3    | 114422      | Frame Assm Cat TI Rear with Side Guard Mount Modification Right Short  | 1        |
| 1d, 2, 3    | 114425      | Frame Assm Cat TI Rear with Side Guard Mount Modification Left Long  | 1        |
| 1b, 2, 3    | 114423      | Frame Assm Cat TI Rear with Side Guard Mount Modification Right Long   | 1        |
| 2           | 000030      | Backrest Sleeve Cat  | 1        |
| 3           | 100532      | Tube End Plug 1 1/8"   | 1        |
| 4           | 100831      | 1/2" Washer OD .040" Thick   | 1        |
| 5           | 000003      | Seat Hook, Catalyst  | 1        |
| 6           | 000004      | Seat Hook Support, Catalyst  | 1        |
| 7a          | 100668      | M6 x 20 CLS10.9 BTN SHCS ZC w/Patch<br><i>Used with Standard Weight Capacity</i>   | 1        |
| 7b          | 101180      | M6 x 20 SHCS BLK ZC<br><i>Used with Heavy Duty / 350 lbs Weight Capacity</i>   | 1        |
| 8           | 100667      | M6 x 12 BTN SHCS BLKZC w/Patch   | 1        |
| 9           | 000065      | M6 x 23.68 Threaded Barrel   | 1        |
| 10a         | 000960R     | Seat Hook Open Frame Right Front Frame / Left Rear Frame, Catalyst   | 1        |
| 10b         | 000960L     | Seat Hook Open Frame Left Front Frame / Right Rear Frame, Catalyst   | 1        |
| 11          | 101594      | M6 x 14 CLS10.9 DIN7991 FSHCS BLKZC w/Patch  | 1        |