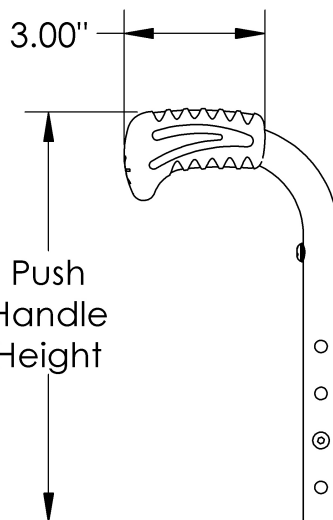
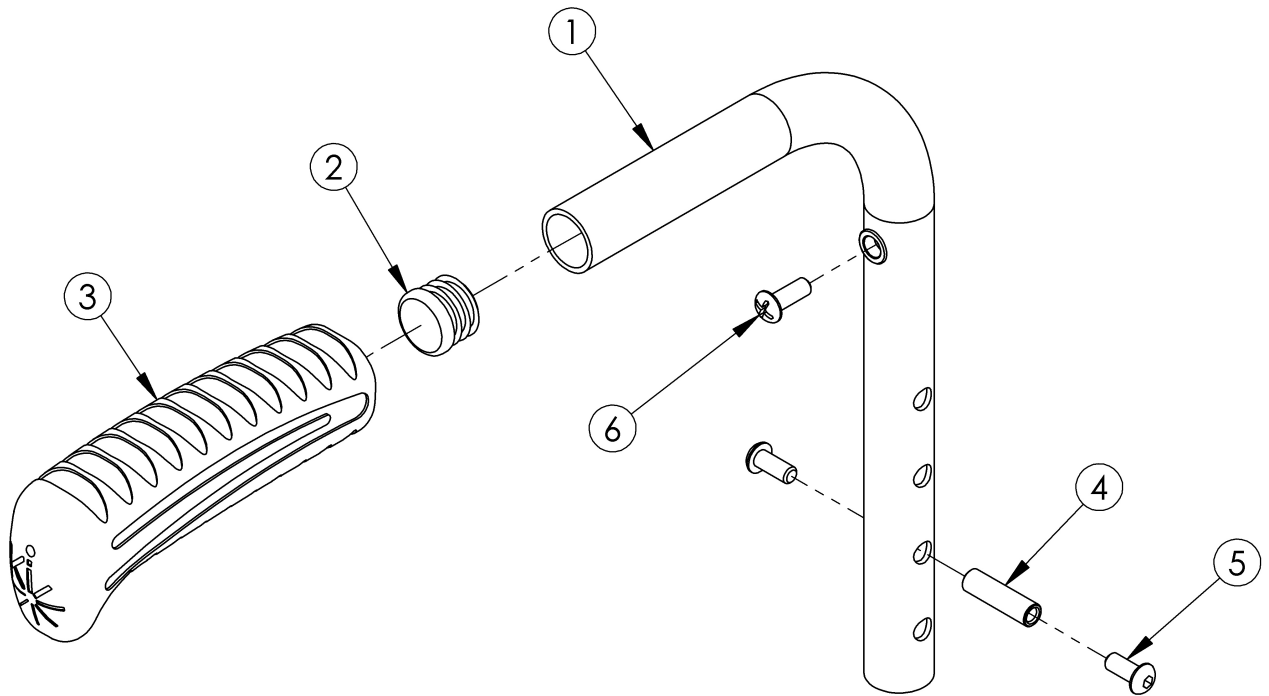
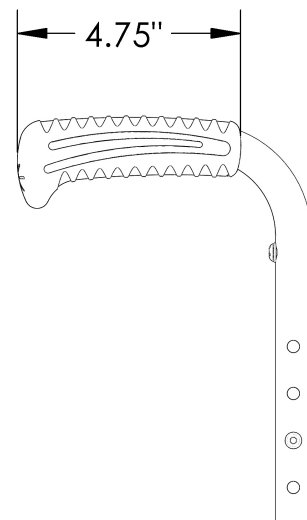


(Discontinued 1) Rogue Push Handle



Low Profile Push Handle



Standard Push Handle

Size	Height Range	Length
Short	11"-14"	8.5"
Medium	13"-17"	11.5"
Tall	17"-20"	15.5"

This Rogue Push Handle is discontinued and was used on serial numbers prior to RG0016612.

Item Number	Part Number	Description	Quantity
1a, 2, 3a, 4 - 6	500779	Standard Push Handle w/Hardware Assembly Short Rigid <i>Use for all fixed heights w/standard push handle and short height adjustable w/standard push handle</i>	1
1b, 2, 3a, 4 - 6	506730	Standard Push Handle w/Hardware Assembly Medium Rigid	1

Item Number	Part Number	Description	Quantity
1c, 2, 3a, 4 - 6	506731	Standard Push Handle w/Hardware Assembly Tall Rigid	1
1a, 2, 3b	002758	Back Post Assembly Short with Low Profile Push Handle Rigid <i>Use for all fixed heights w/low profile push handle and short height adjustable w/low profile push handle</i>	1
1b, 2, 3b	506732	Back Post Assembly Medium with Low Profile Push Handle Rigid	1
1c, 2, 3b	506733	Back Post Assembly Tall with Low Profile Push Handle Rigid	1
2	100638	Tube End Plug 3/4"	1
3a	109432	Ergo Push Handle Grip 3/4" Standard with Instruction	1
4	000073	M5 x 24 Threaded Barrel	1
5	100669	M5 x 10 BTN SHCS BLKZC w/Patch	2
6	100734	M5 x 16 PHMS ZC <i>Used to mount back upholstery</i>	1