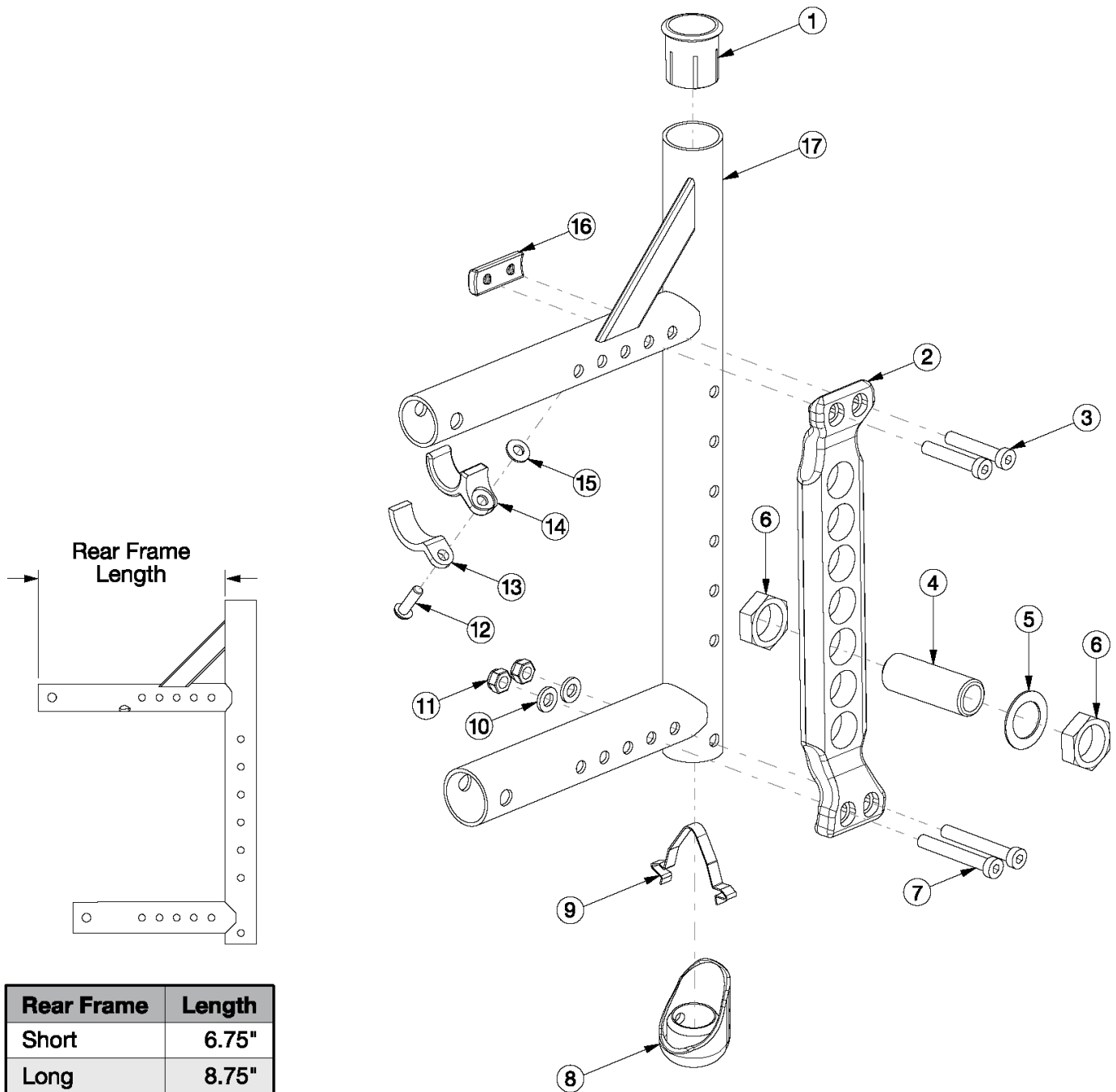


Canada / AADL Adjustable Axle Plate Rear Frame



Retrofitting to this axle plate and rear frame requires 300lb or 350lb Weight Capacity<p>
 Use short frame for 14-17" Seat Depths and long frame for 18-20" Seat Depths<p>
 If switching to a new Seat Depth, new Height Adjustable Flip Back T-Arms may be needed

Item Number	Part Number	Description	Quantity	Retail
12a, 13 - 15	501005	Seat Hook and Support Hardware Kit, Standard, Catalyst	1	\$18.27

Item Number	Part Number	Description	Quantity	Retail
		<i>Used with Standard or 300 lbs Weight Capacity. This kit contains quantity of 1 each</i>		
12b, 13 - 15	114528	Seat Hook and Support Hardware Kit, Standard, for Heavy Duty Catalyst <i>Used with Heavy Duty / 350 lbs Weight Capacity. This kit contains quantity of 1 each</i>	1	\$18.83
1	000030	Backrest Sleeve Cat	1	\$3.70
3	103370	M6 x 35 Low SHCS BLK ZC w/Patch	2	\$4.41
4	100756	Axle Receiver 1/2"	1	\$18.56
5	100583	Axle Plate Washer 18mm	1	\$1.10
6	100514	Axle Receiver Nut M18 x D12 x 8mm	2	\$1.62
7	101123	M6 x 45 Low SHCS BLK ZC	2	\$1.66
9	112180	Double Ramp Detent	1	\$4.73
10	100746	M6 Flat Washer Blk Zn	2	\$1.66
11	100658	M6 Nylock Nut Blk Zn	2	\$1.10
12a	100668	M6 x 20 CLS10.9 BTN SHCS ZC w/Patch <i>Used with Standard or 300 lbs Weight Capacity</i>	1	\$1.66
12b	101180	M6 x 20 SHCS BLK ZC <i>Used with Heavy Duty / 350 lbs Weight Capacity</i>	1	\$2.21
13	000004	Seat Hook Support, Catalyst	1	\$6.88
14	000003	Seat Hook, Catalyst	1	\$8.09
15	100831	1/2" Washer OD .040" Thick	1	\$1.66