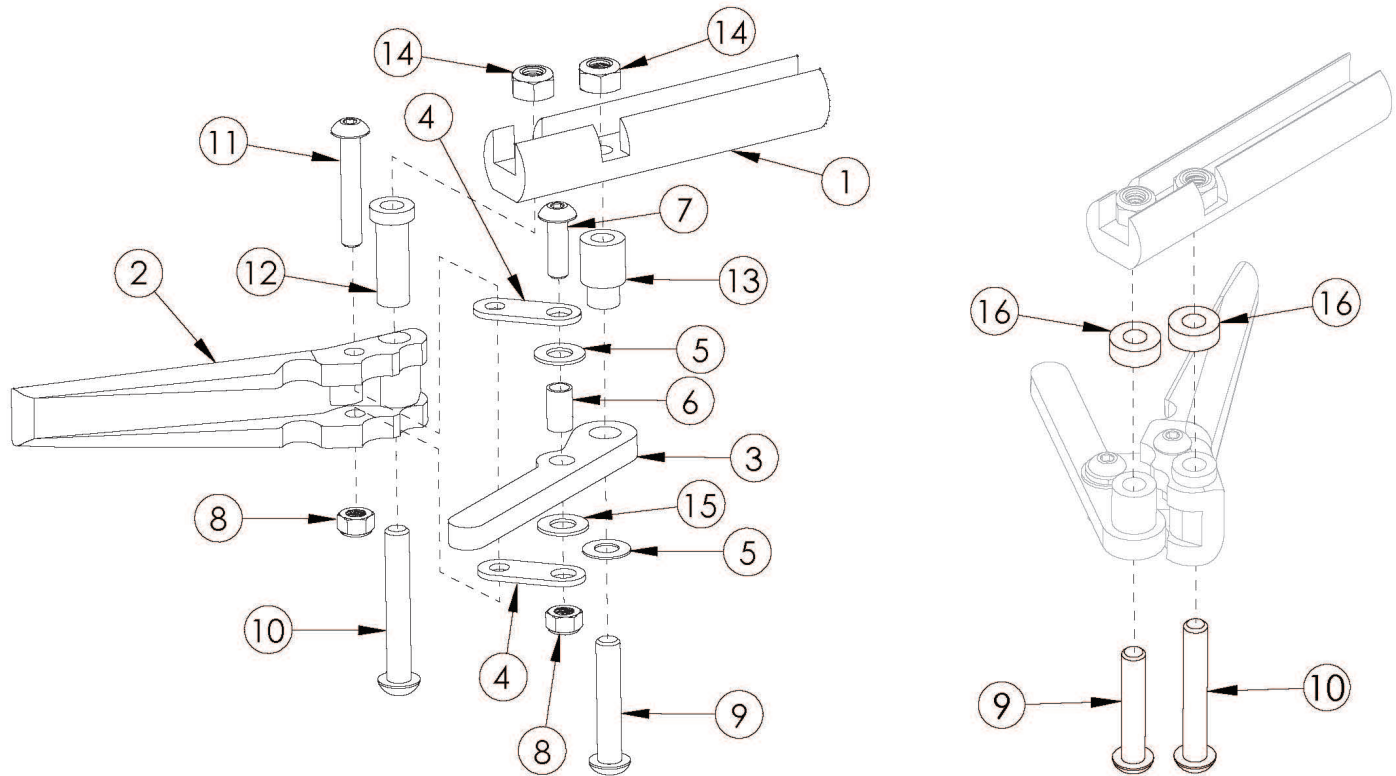


Ethos Short Thro Scissor Wheel Lock

Standard Configuration

Reversed Configuration



If adding Wheel Locks to Ethos, new Front ISO Towers are required

Item Number	Part Number	Description	Quantity	Retail
1a, 2 - 16	111357	Ethos Short Thro Scissor Wheel Lock Assembly with Instruction, Left <i>This kit contains a standard configuration wheel lock along with the hardware, spacers and instruction for reversing the wheel lock</i>	1	\$100.80
1b, 2 - 16	111358	Ethos Short Thro Scissor Wheel Lock Assembly with Instruction, Right <i>This kit contains a standard configuration wheel lock along with the hardware, spacers and instruction for reversing the wheel lock</i>	1	\$100.80
1a, 1b, 2 - 16	111359	Ethos Short Thro Scissor Wheel Lock Assembly with Instruction, PAIR	1	\$201.59
1a	000364L	Scissor Lock Mount Bar Left	1	\$9.84
1b	000364R	Scissor Lock Mount Bar Right	1	\$9.84
2	000365	Scissor Lock Handle	1	\$11.60
3	000366	Scissor Lock Brake Arm	1	\$17.87

Item Number	Part Number	Description	Quantity	Retail
4	000367	Scissor Lock Link	2	\$3.65
5	000369	Flat Washer .5 x .257 x .0032 Plastic	2	\$0.97
6	000368	Scissor Lock Bushing	1	\$7.15
7	101716	M5 x 16 SHCS Blk Zn	1	\$1.05
8	100657	M5 Nylock Nut Blk Zn	2	\$0.53
9a	101119	M6 X 32 BHCS bright <i>Used with standard configuration</i>	1	\$1.12
9b	100797	M6 x 40 BHCS BLK ZC <i>Used with reversed configuration</i>	1	\$1.05
10a	100797	M6 x 40 BHCS BLK ZC <i>Used with standard configuration</i>	1	\$1.05
10b	100670	M6 x 45 BTN SHCS BLK ZC <i>Used with reversed configuration</i>	1	\$1.58
11	101560	M5 x 30 BTN SHCS ZC	1	\$2.10
12	000370	Scissor Lock Pivot Bushing	1	\$3.65
13	000371	Scissor Lock Arm Bushing	1	\$3.58
14	100658	M6 Nylock Nut Blk Zn	2	\$1.05
15	000372	Scissor Lock Disc Spring	1	\$2.36
16	105019	3/16" Plastic Spacer <i>Only used with reversed configuration</i>	2	\$0.53