

**EASY**Stand<sup>®</sup> 7000

magician

**Owner's Manual**



# Table Of Contents

---

<b>Introduction</b> .....	2
<b>Safety Precautions</b> .....	3
<b>Assembly</b> .....	4-7
<b>Options</b> .....	8-10
<b>Adjustments</b> .....	11
<b>Usage</b> .....	12
<b>Parts &amp; Options</b> .....	13-24
<b>Health Benefits</b> .....	25
<b>User Log</b> .....	26
<b>Specifications</b> .....	27
<b>Limited Warranty</b> .....	28

# Introduction

---

Congratulations on your purchase of the **EASYSTAND MAGICIAN** seating/standing system! We at Altimate Medical, Inc. have designed the EasyStand Magician with the comfort and happiness of your child in mind.

This manual is an integral part of your seating/standing system and should be read completely and thoroughly by anyone that will be operating the unit. This will ensure that the EasyStand Magician is assembled properly and then used in the most beneficial manner for your child. AMI recommends that an attendant be present when the EasyStand Magician is being used.

Should any problem arise that you cannot solve by reading this manual, please contact your local dealer or call Altimate Medical, Inc. at **1-800-342-8968**.

It is important and necessary that you inspect your EasyStand Magician periodically to assure that it is in safe operating condition. Minor adjustments can be made by the operator. However, replacement of worn parts, major adjustments, or any other important corrections should be handled by an authorized dealer or service center. Only Altimate Medical, Inc. approved replacement parts should be used to ensure safety and performance.

The EasyStand Magician should not be used by any individual with paralysis of either the upper and/or lower body that has been confined to a bed or wheelchair for an extended period of time without first consulting a qualified physician. **Failure to consult a qualified physician prior to using the EasyStand Magician could lead to severe medical problems.** We recommend that a good standing program be established and supervised by a qualified registered physical therapist. The EasyStand Magician is to be used by individuals ranging from 3'-4'6" in height and weighing up to 100 lbs.

Date Purchased \_\_\_\_\_ Serial # \_\_\_\_\_

# Safety Precautions

The EasyStand Magician is designed to accommodate *most* individuals from 3'-4'6" (91-137cm) and up to 100 lbs. If you do not meet these specifications and have not been properly fitted a qualified therapist or physician, Altimate Medical Inc. does not recommend that you use the EasyStand Magician.

Altimate Medical Inc. recommends that you consult with your Physician or Therapist prior to starting a standing program.

Check your EasyStand periodically to make sure that all nuts, bolts and adjustable parts are tightened securely.

Never reposition the foot holders while you are in the standing position. Consult with your therapist or doctor for proper foot placement and angle.

If the unit was exposed to temperatures of less than 50°F (23.5°C), you must allow the unit to warm up to room temperature before use.

Use body weight to lower the seat. Do not use excessive force.

The EasyStand is for indoor use only.

Violently thrusting backwards in the EasyStand may cause it to tip.

If you ordered casters or the mobile option, you should always put the casters and/or wheels in the locked position before transferring into the EasyStand. Use these locks whenever you want to keep the EasyStand stationary.

Do not use the mobile option on ramps or uneven floors.

Always use the EasyStand Magician under adult supervision.

# Assembly

- 1 Place the base onto the floor and lock the casters.

If you ordered the mobile option, open the mobile option box and insert the front drive wheels.



- 2 Attach the footplates to the seating system legs. The knobs must face outward. Move the footplates halfway up the legs and tighten the locking knobs.



- 3 Place seat assembly onto base. As shown. Tip the seat assembly forward and insert seating system tab into slot.



4 Push firmly on front of seat assembly to place the seating system tab into the slot.



5 Make sure tab fits firmly into the frame slot. Insert the bolts from the bag to secure the seating assembly to the base. Tighten securely.

**Warning:** Failure to bolt unit securely will make the unit unstable and dangerous to the end user.



6 Insert the H-frame into the base verticals.



7 Place pins into bottom holes to secure H-frame.



8 Remove the hex bolts from the front pad and attach it to the mounting bracket on the table.

Tighten bolts securely.



9 Insert the table into the verticals on the H-frame.



**10** Depress the spring button to continue installation.

The spring button will stop in the maximum height position.

**Note:** There is only one spring button.



**11** Depress the spring button again to lower the table.

Turn the knobs to tighten.



**12** Depress foot button while lifting on handles to adjust to desired position.



# Options

## Angle Adjustable Table

The angle adjustable table mounts into frame verticals.

Assembly instructions are included with the table.



## Chest Vest

Insert straps from chest vest into clips on the back of the unit and tighten as desired



## Head Support

Insert head support into bracket behind back. Depress spring button to lower headrest into place.



## Lateral Supports

Insert lateral supports into brackets behind back.



## Universal Head Support Receiver

Insert Universal Head Receiver into bracket behind back. Depress spring button to lower into place. Compatible with Whittmeyer®, Otto Bock® and Stealth® headrests.



## Stroller Handles

Slide on stroller handles and tighten bolts securely.



## Independent Kneepads

Place knee brackets onto slots.

Note: Oval washer is placed between knee pad bracket and mounting bracket.



## Table Swing-away Sleeve

Remove H-frame and place swing-away sleeve onto either right or left frame vertical.



## Mobile Option

Refer to the assembly instructions that you received with the mobile unit.



# Adjustments

## Loosen Knob

To adjust seat depth and back angle loosen the seat adjustment knob located under the seat.



## Back Angle

While depressing the spring button on the back angle tube, push or pull on the back in the desired directions.



## Seat Depth

Depress the spring button on the square seat depth tube to adjust the seat depth. Push or pull on the back to shorten or lengthen the seat depth.

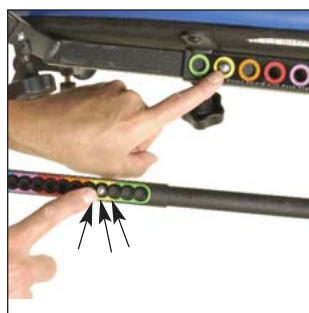


## Match Colors

After proper seat depth and back angle is set, check unit to be certain that the colors match.

Note: There are three angle positions available for each seat depth setting.

Tighten the seat adjustment knob securely.



# Using your EasyStand

## POSITIONING

- To lift the child to a standing position, loosen the knobs on the table verticals, lift the table to the approximate height and tighten the knobs. Slide the table forward slightly and tighten the appropriate knobs.
- Press the button on the base of the unit with your foot and lift gently on the handles. You can stop at any position. After the child is standing you can readjust the table as needed. To return to the seated position, press the foot button while gently pushing down on the handles.

## FOOT HOLDERS

- **Consult with your therapist or doctor for proper foot placement and angle.**
- Foot holders should be raised/lowered so that the knee is as close to the seat pivot as possible.
- Never reposition the foot holders while the user is in the standing position.
- The foot holders can be independently adjusted in swivel, height, and pivot.
- To adjust the swivel or pivot of the foot holders, loosen the quick adjust handles on each foot holder clamp. When you find the desired foot position, tighten the handles securely.
- To adjust the height, loosen the same quick adjust handle of the foot holder clamp. Tighten securely.

## MOBILE OPTION

- **Do not use the mobile option on ramps, uneven surfaces or outdoors.**
- Before transferring into the EasyStand with the Mobile Option, make sure that the casters and the push rim locking mechanisms are in the locked position. Use these locks when you want to keep the EasyStand stationary.

## KNEE PAD

- The knee support should be snug when you are in the seated position. Adjust the foot holders so that the user's knees are as close to the seat pivot point as possible. Knee pad can be adjusted in all directions.  
*(If necessary, the knee pad bracket can be inverted on the frame for further adjustment)*

## FRONT PAD

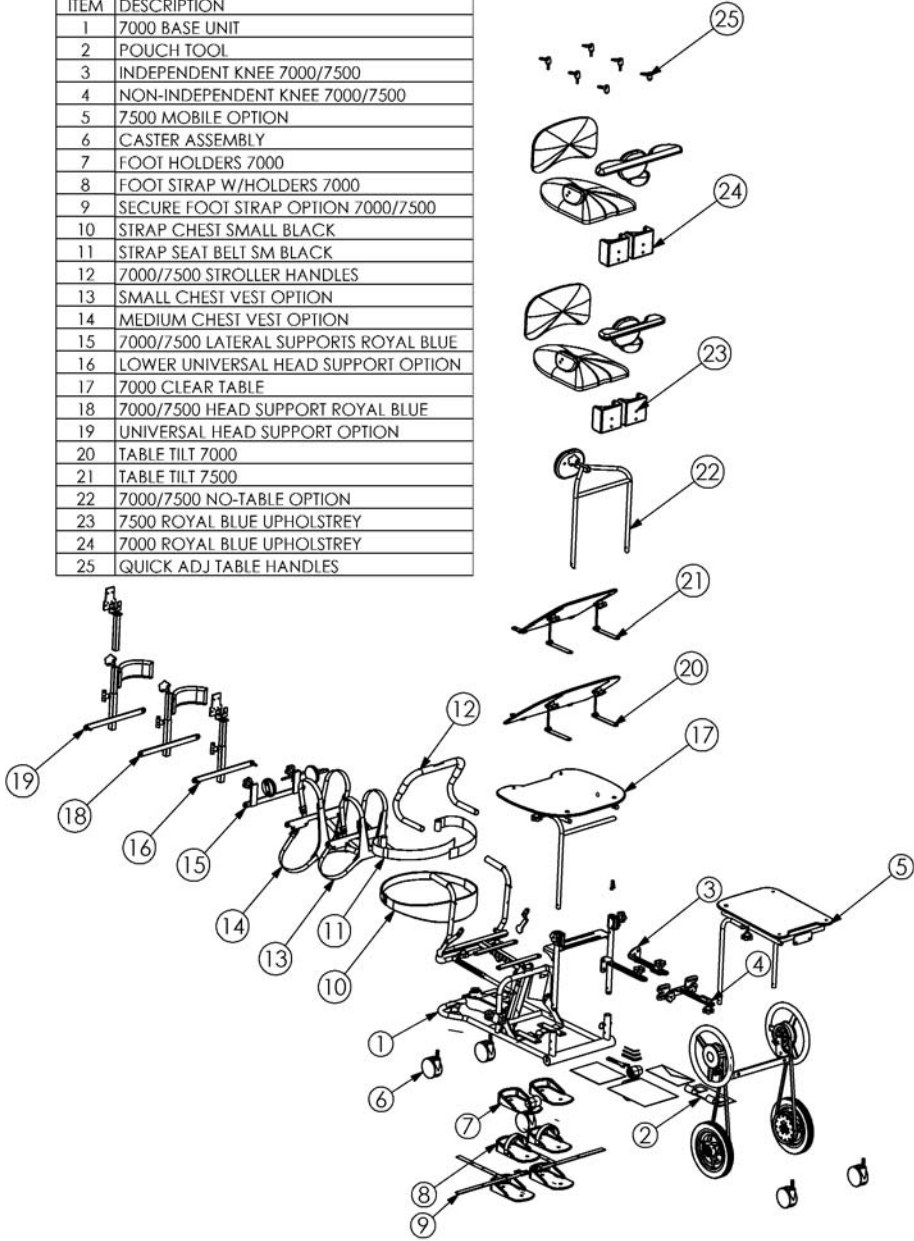
- When in the standing position, the front pad should support your upper body. Adjust the tray height and depth so you feel comfortable. The front pad can also be independently adjusted for proper height and it can be inverted as the adjustment holes are offset allowing further adjustment variations.

## MAINTENANCE

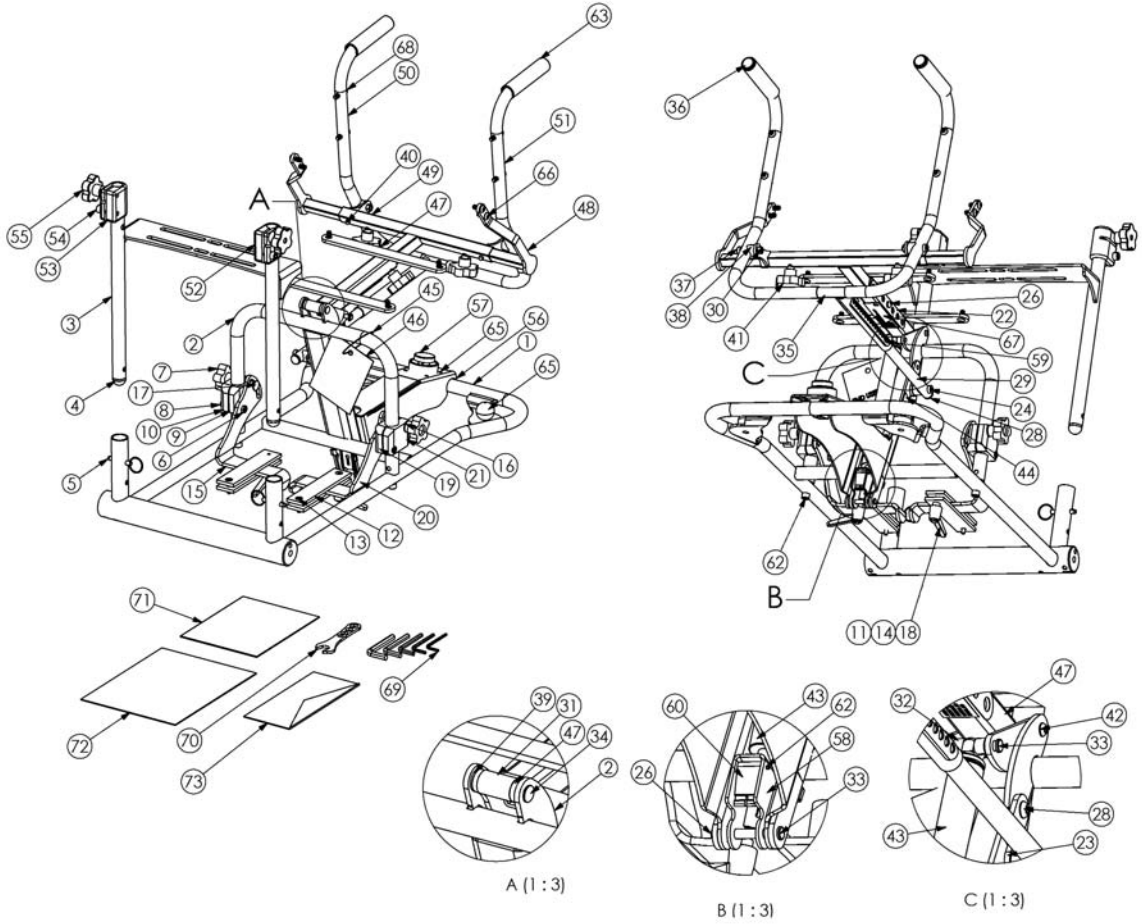
- Clean the EasyStand with a mild non-abrasive disinfectant or soap and water.
- The covering of the seat, back, knee and headrest may be removed and hand washed in a mild soap and water and air dried. Always use care when removing and replacing fabric covering.
- Check your EasyStand periodically to make sure that all nuts, bolts and adjustable parts are tightened securely.

# Magician Parts Overview

ITEM	DESCRIPTION
1	7000 BASE UNIT
2	POUCH TOOL
3	INDEPENDENT KNEE 7000/7500
4	NON-INDEPENDENT KNEE 7000/7500
5	7500 MOBILE OPTION
6	CASTER ASSEMBLY
7	FOOT HOLDERS 7000
8	FOOT STRAP W/HOLDERS 7000
9	SECURE FOOT STRAP OPTION 7000/7500
10	STRAP CHEST SMALL BLACK
11	STRAP SEAT BELT SM BLACK
12	7000/7500 STROLLER HANDLES
13	SMALL CHEST VEST OPTION
14	MEDIUM CHEST VEST OPTION
15	7000/7500 LATERAL SUPPORTS ROYAL BLUE
16	LOWER UNIVERSAL HEAD SUPPORT OPTION
17	7000 CLEAR TABLE
18	7000/7500 HEAD SUPPORT ROYAL BLUE
19	UNIVERSAL HEAD SUPPORT OPTION
20	TABLE TILT 7000
21	TABLE TILT 7500
22	7000/7500 NO-TABLE OPTION
23	7500 ROYAL BLUE UPHOLSTREY
24	7000 ROYAL BLUE UPHOLSTREY
25	QUICK ADJ TABLE HANDLES



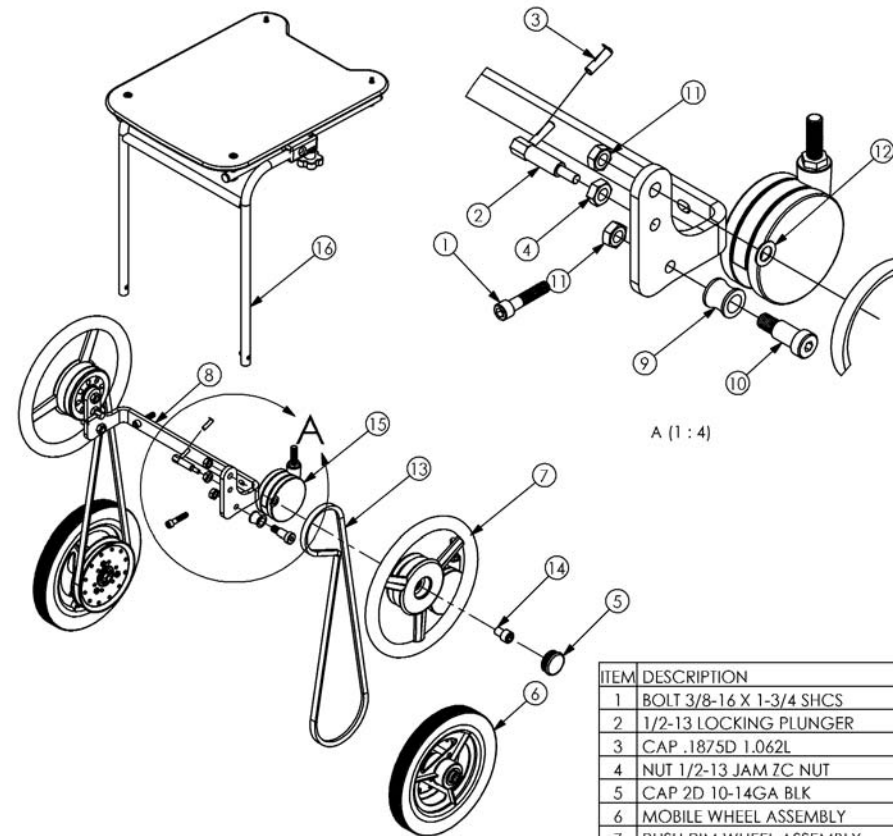
# Magician Parts Detail





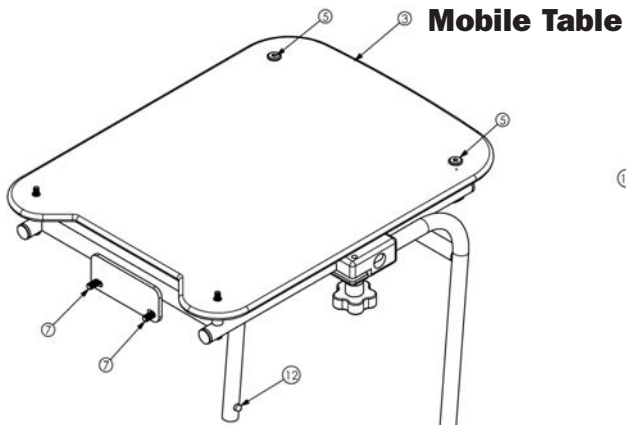
ITEM	DESCRIPTION	ITEM	DESCRIPTION
1	WELDMENT MAGICIAN BASE FRAME	57	MAGICIAN FOOT BUTTON W/8" CABLE
2	WELDMENT SEAT LOOP MAGICIAN	58	TRIGGER RELEASE
3	WELDMENT KNEE MAGICIAN	59	MAG FOLLOWING ARM LABEL
4	CAP 1D 14-23 GA BLK BALL CAP	60	.938H .813W 1.500L
5	.312D 1.500L	61	PIN 1/8 X 1 1/4 SPRING
6	NUT 5/16-18 JAM NYL INS L/N	62	BOLT 3/8-16 X 2 SHCS
7	KNOB 3/8"-16 FEMALE SPT LRG	63	GRIP 7/8" X 5.00L
8	BOLT 5/16-18 X 1-3/4 SHCS	64	BOLT SELF-TAP #10 X 3/4 PAN HD
9	PT .750H 2.00W 2.50L	65	KNOB 1/2-13 FEMALE BALL BLK
10	PT .750H 2.00W 2.50L	66	BOLT 5/16-18 X 3/4 BTN SHCS
11	NUT HEX JAM 1/4"-20 UNC	67	SERIAL NO LABEL
12	.250H 1.50W 6.50L	68	BOLT 5/16-18 X 1-1/4 BTN SHCS
13	BOLT 1/4-20 X 1 1/8 FSHCS	69	UNIVERSAL TOOLKIT
14	WASHER 3/16 USS WASHER ZC	70	TOOL MULTI-WRENCH
15	PT 6.55H 5.728W 5.875L	71	MANUAL 7000 MAGICIAN
16	WASHER 5/16 USS WASHER ZC	72	WARRANTY REGISTRATION CARD
17	3/8-16UNC X 2.50L CARRIAGE BOLT	73	WARRANTY ENVELOPE
18	KNOB 1/4"-20 FEMALE QUICK ADJ.		
19	PT .750H 2.00W 2.500L		
20	PT 6.55H 5.728W 5.875L		
21	PT .750H 2.00W 2.50L		
22	MAG SEAT DEPTH LABEL		
23	PT .500H 1.00W 3.150L		
24	BOLT 3/8" X 1" SHOULDER BOLT		
25	E-RING 5/16" E-STYLE ZP		
26	SPRING RD-2195 W/DOME HEAD		
27	BOLT 5/16-18 X 1/2 BTN SHCS		
28	CAP .75D 14-20 GA BLK RND		
29	PT .75D 16G 13.250L		
30	NUT 5/16-18 NYL INS L/N HIGH		
31	PT .780D .375D 1.25L		
32	SPACER .500D .300ID .340L		
33	PIN .312D 2.188L CLEVIS		
34	BOLT SEX 1/4-20 X .375 X 2.093 BARREL		
35	WELDMENT BACK PIVOT		
36	CAP .875D 14-20 GA BLK RND		
37	BOLT 3/8" X 1 1/4" SHOULDER		
38	WASHER .875 OD .375 ID COVERED		
39	WASHER 3/8"ID X 3/4"OD NYLON BLACK		
40	SPRING BC-150-D W/DOME HEAD		
41	KNOB 5/16"-16 X 5/8 ZC 5 PT		
42	BOLT 1/4-20 X 5/8 BTN SHCS		
43	GAS CYLINDER 400 NEWTON		
44	LABEL .875W 7.75L MAGICIAN		
45	SNAP TIE 5" LG		
46	LABEL END USER INFO		
47	WELDMENT SEAT		
48	WELDMENT HIP SUPPORT		
49	WELDMENT A-B CROSS TUBE		
50	PT .875D 18G 7.125H 5.00W 18.125L		
51	PT .875D 18G 7.125H 8.00W 18.125L		
52	1.375H 2.125W 2.50L		
53	1.375H 2.125W 2.50L		
54	BOLT 3/8-16 X 1-1/4 SHCS		
55	KNOB 5/16"-18 X 1 1/4 ZC 5 PT		
56	PT 7.024H 3.00W 13.740H		

## Mobile Option



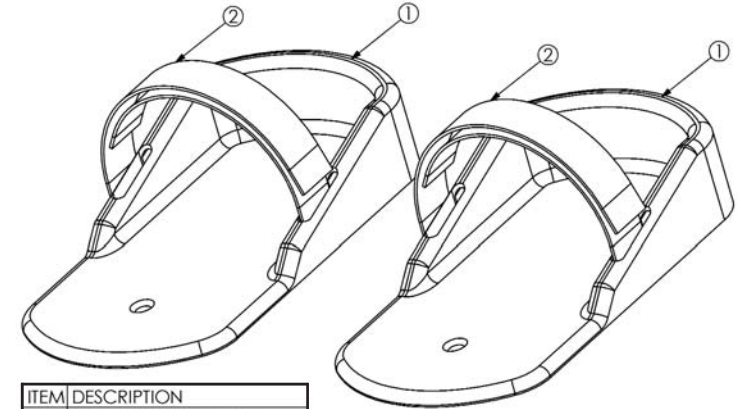
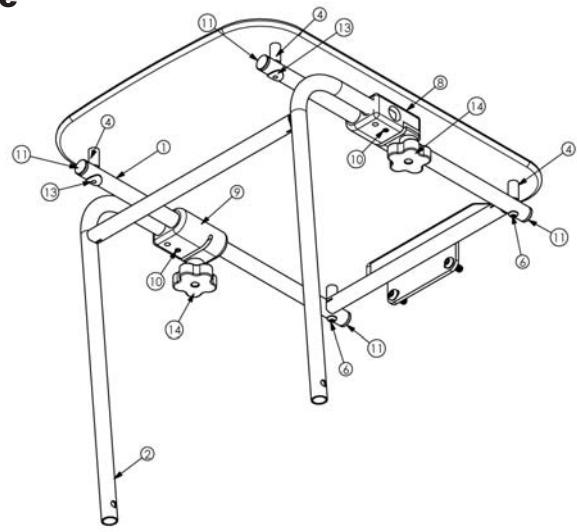
A (1 : 4)

ITEM	DESCRIPTION
1	BOLT 3/8-16 X 1-3/4 SHCS
2	1/2-13 LOCKING PLUNGER
3	CAP .1875D 1.062L
4	NUT 1/2-13 JAM ZC NUT
5	CAP 2D 10-14GA BLK
6	MOBILE WHEEL ASSEMBLY
7	PUSH RIM WHEEL ASSEMBLY
8	PT .375H 4.875W 15.875L
9	PT 1.000D .630ID .961L
10	BOLT 5/8" X 1" SHOULDER BOLT
11	PP NUT 1/2-13 JAM NYL INS L/N
12	BUSHING 1/2" X 7/8" X 18 GA
13	V-BELT V-80 BX54
14	BOLT 1/2-13 X 2 SHCS
15	CASTER 100MM/4" BLK TWIN W/BRK
16	7500 CLEAR TABLE



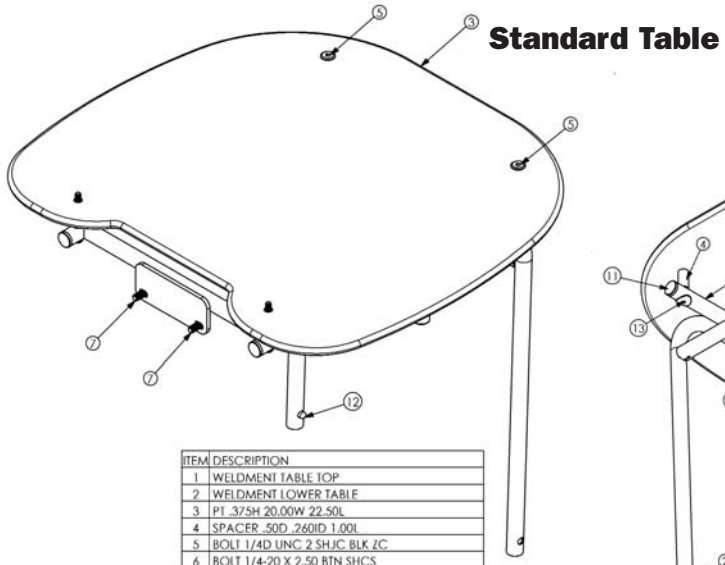
**Mobile Table**

ITEM	DESCRIPTION
1	WELDMENT TABLE TOP
2	WELDMENT LOWER TABLE
3	PT .375H 1.5 1.25W 20.00L
4	SPACER .50D .260ID 1.00L
5	BOLT 1/4D UNC 2 SHJIC BLK ZC
6	BOLT 1/4-20 X 2.50 BTN SHCS
7	BOLT 5/16-18 X 3/4 BTN SHCS
8	1.375H 2.125W 3.00L
9	1.375H 2.125W 3.00L
10	BOLT 5/16-18 X 3/8 SSS CUP PT
11	CAP .75D 14-20 GA BLK RND
12	SPRING BC-150-D W/DOME HEAD



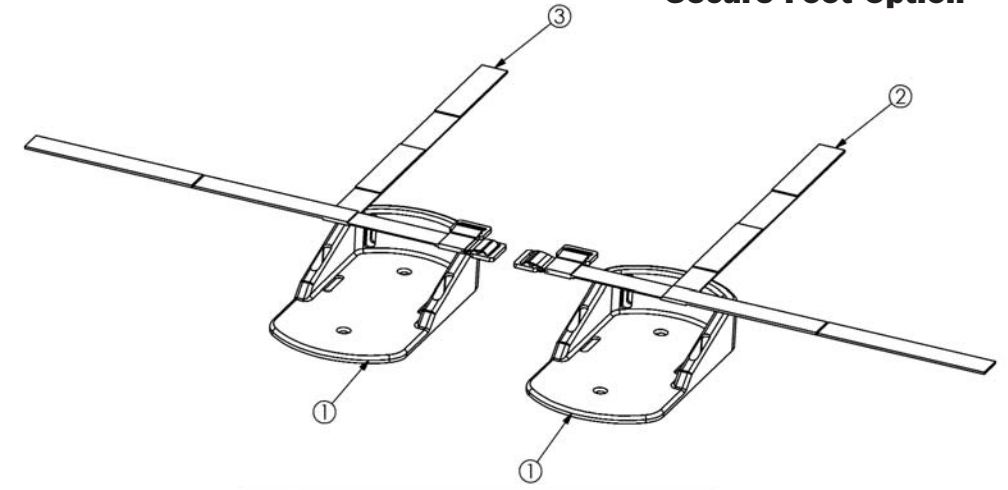
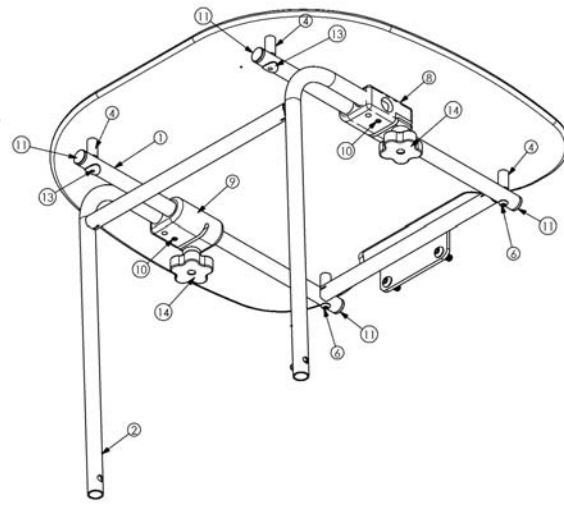
ITEM	DESCRIPTION
1	SMALL FOOT HOLDERS
2	STRAP FOOT BLACK

**Foot Holders with Straps**



**Standard Table**

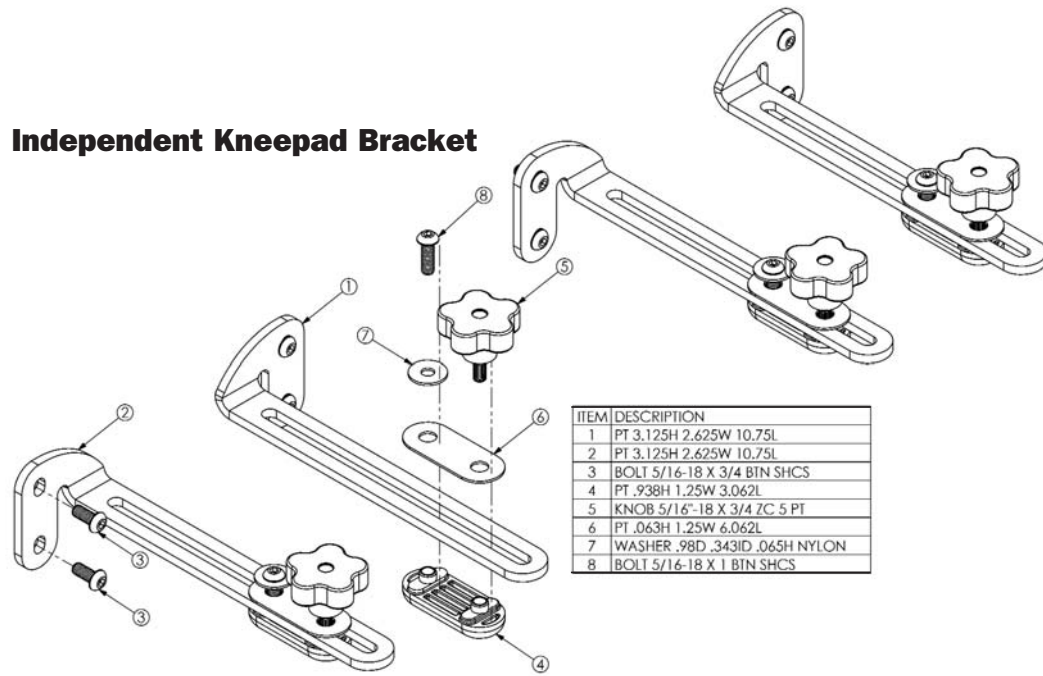
ITEM	DESCRIPTION
1	WELDMENT TABLE TOP
2	WELDMENT LOWER TABLE
3	PT .375H 20.00W 22.50L
4	SPACER .50D .260ID 1.00L
5	BOLT 1/4D UNC 2 SHJIC BLK ZC
6	BOLT 1/4-20 X 2.50 BTN SHCS
7	BOLT 5/16-18 X 3/4 BTN SHCS
8	1.375H 2.125W 3.00L
9	1.375H 2.125W 3.00L
10	BOLT 5/16-18 X 3/8 SSS CUP PT
11	CAP .75D 14-20 GA BLK RND
12	SPRING BC-150-D W/DOME HEAD
13	PP NUT 1/4-20 X 9/16 CURVED FLANGE UP
14	KNOB 5/16-18 X 1 1/4 ZC 5 PT



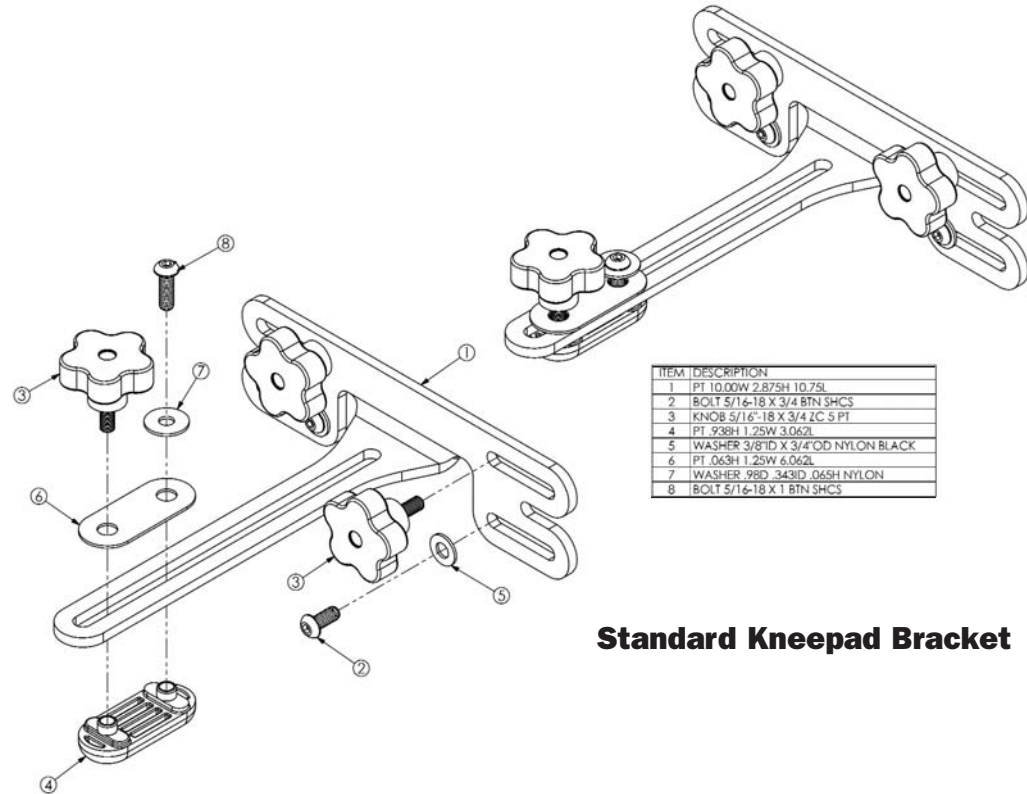
**Secure Foot Option**

ITEM	DESCRIPTION
1	PT SMALL SECURE FOOT HOLDERS
2	STRAP SECURE FOOT L BLACK
3	STRAP SECURE FOOT R BLACK

### Independent Kneepad Bracket

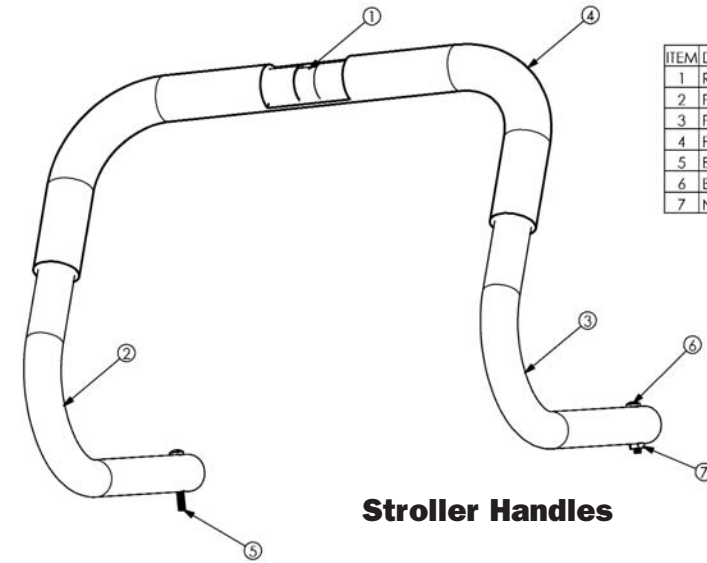


ITEM	DESCRIPTION
1	PT 3.125H 2.625W 10.75L
2	PT 3.125H 2.625W 10.75L
3	BOLT 5/16-18 X 3/4 BTN SHCS
4	PT .938H 1.25W 3.062L
5	KNOB 5/16"-18 X 3/4 ZC 5 PT
6	PT .063H 1.25W 6.062L
7	WASHER .98D .343ID .065H NYLON
8	BOLT 5/16-18 X 1 BTN SHCS



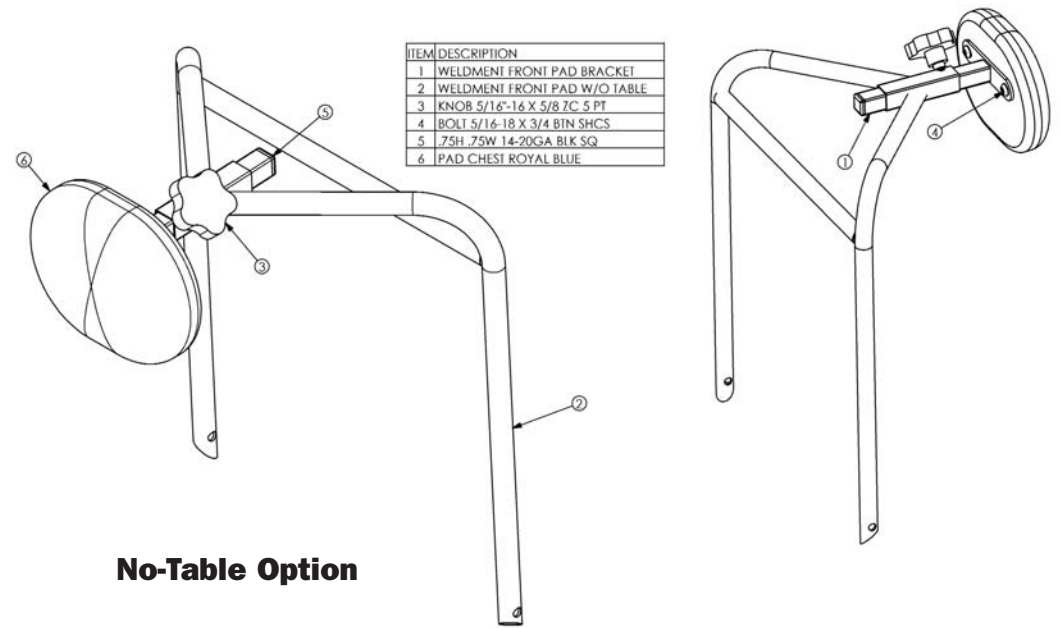
ITEM	DESCRIPTION
1	PT 10.00W 2.875H 10.75L
2	BOLT 5/16-18 X 3/4 BTN SHCS
3	KNOB 5/16"-18 X 3/4 ZC 5 PT
4	PT .938H 1.25W 3.062L
5	WASHER 3/8"ID X 3/4"OD NYLON BLACK
6	PT .063H 1.25W 6.062L
7	WASHER .98D .343ID .065H NYLON
8	BOLT 5/16-18 X 1 BTN SHCS

### Standard Kneepad Bracket



ITEM	DESCRIPTION
1	RM .875D 18G 8.25L
2	PT 1.00D 18G 9.75W 6.625H 11.50L
3	PT 1.00D 18G 9.75W 6.625H 11.50L
4	PT 1.25D .750ID 24.00L
5	BOLT #10 X 1 1/2 PH TR MACH SC
6	BOLT 10-32 X 1-1/4 PAN HD ZC
7	NUT #10-32 HEX

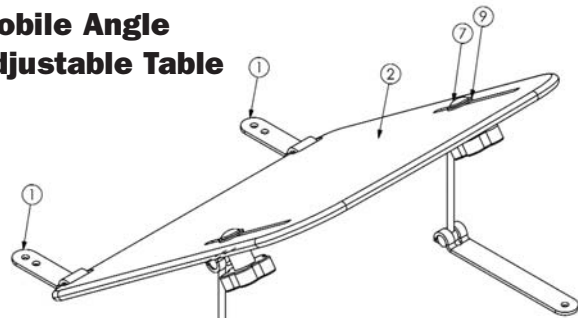
### Stroller Handles



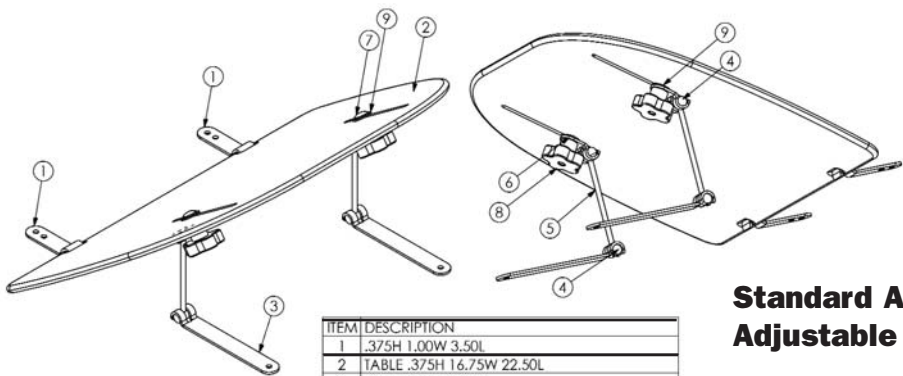
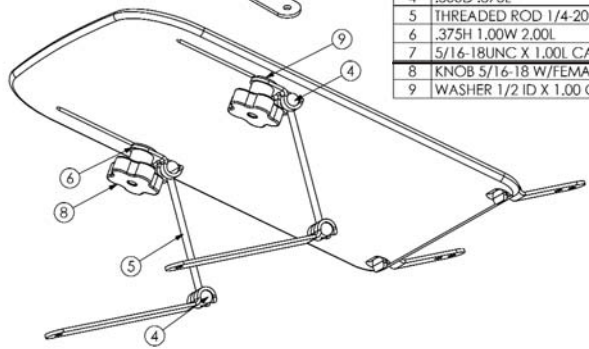
ITEM	DESCRIPTION
1	WELDMENT FRONT PAD BRACKET
2	WELDMENT FRONT PAD W/O TABLE
3	KNOB 5/16"-16 X 5/8 ZC 5 PT
4	BOLT 5/16-18 X 3/4 BTN SHCS
5	.75H .75W 14-20GA BIK SQ
6	PAD CHEST ROYAL BLUE

### No-Table Option

### Mobile Angle Adjustable Table



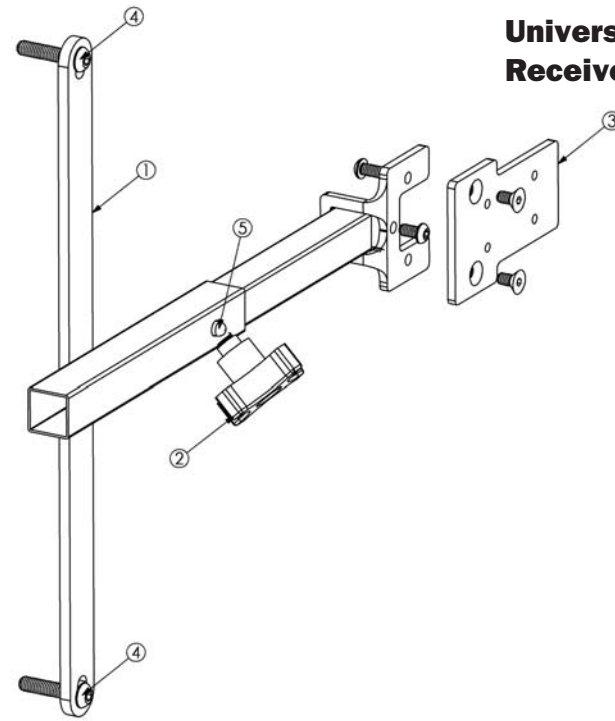
ITEM	DESCRIPTION
1	.375H 1.00W 3.50L
2	TABLE .375H 15.125W 16.25L
3	.375H 1.00W 6.874L
4	.500D .875L
5	THREADED ROD 1/4-20 X 5 1/4 BOTH ENDS
6	.375H 1.00W 2.00L
7	5/16-18UNC X 1.00L CARRIAGE BOLT
8	KNOB 5/16-18 W/FEMALE 5 PT BLK
9	WASHER 1/2 ID X 1.00 OD .062H NYL



ITEM	DESCRIPTION
1	.375H 1.00W 3.50L
2	TABLE .375H 16.75W 22.50L
3	.375H 1.00W 6.874L
4	.500D .875L
5	THREADED ROD 1/4-20 X 5 1/4 BOTH ENDS
6	.375H 1.00W 2.00L
7	5/16-18UNC X 1.00L CARRIAGE BOLT
8	KNOB 5/16-18 W/FEMALE 5 PT BLK
9	WASHER 1/2 ID X 1.00 OD .062H NYL

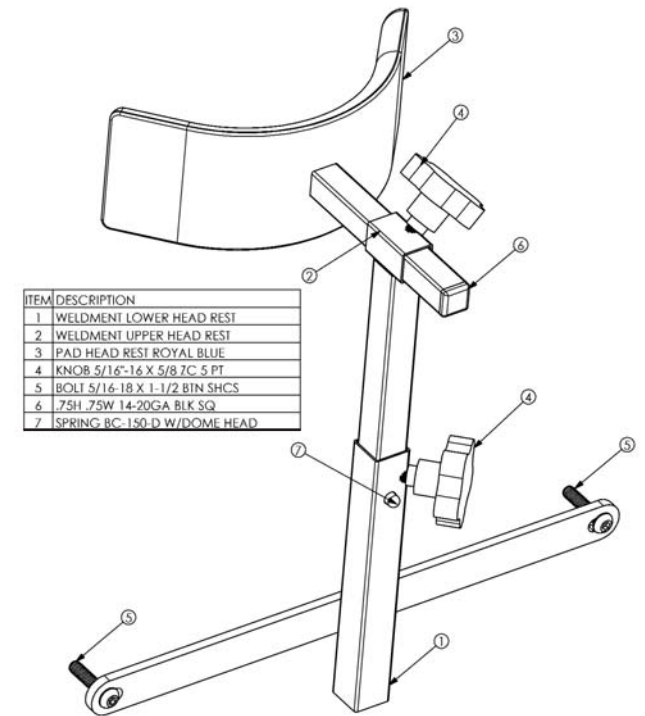
### Standard Angle Adjustable Table

### Universal Head Support Receiver



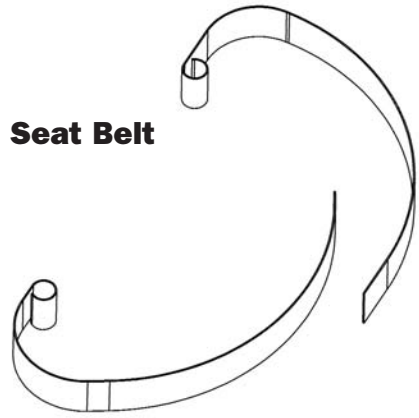
ITEM	DESCRIPTION
1	WELDMENT LOWER HEAD REST
2	KNOB 5/16"-16 X 5/8 ZC 4 PT
3	UNIVERSAL HEADREST RECEIVER
4	BOLT 5/16-18 X 1-1/2 BTN SHCS
5	SPRING BC-150-D W/DOME HEAD

### Head Support

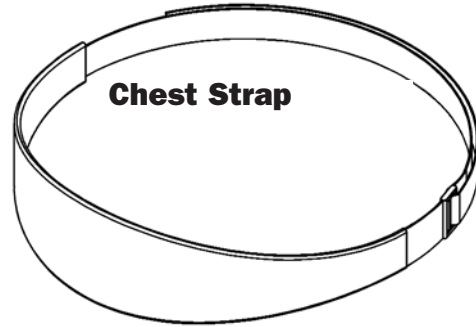


ITEM	DESCRIPTION
1	WELDMENT LOWER HEAD REST
2	WELDMENT UPPER HEAD REST
3	PAD HEAD REST ROYAL BLUE
4	KNOB 5/16"-16 X 5/8 ZC 5 PT
5	BOLT 5/16-18 X 1-1/2 BTN SHCS
6	.75H .75W 14-20GA BLK SQ
7	SPRING BC-150-D W/DOME HEAD

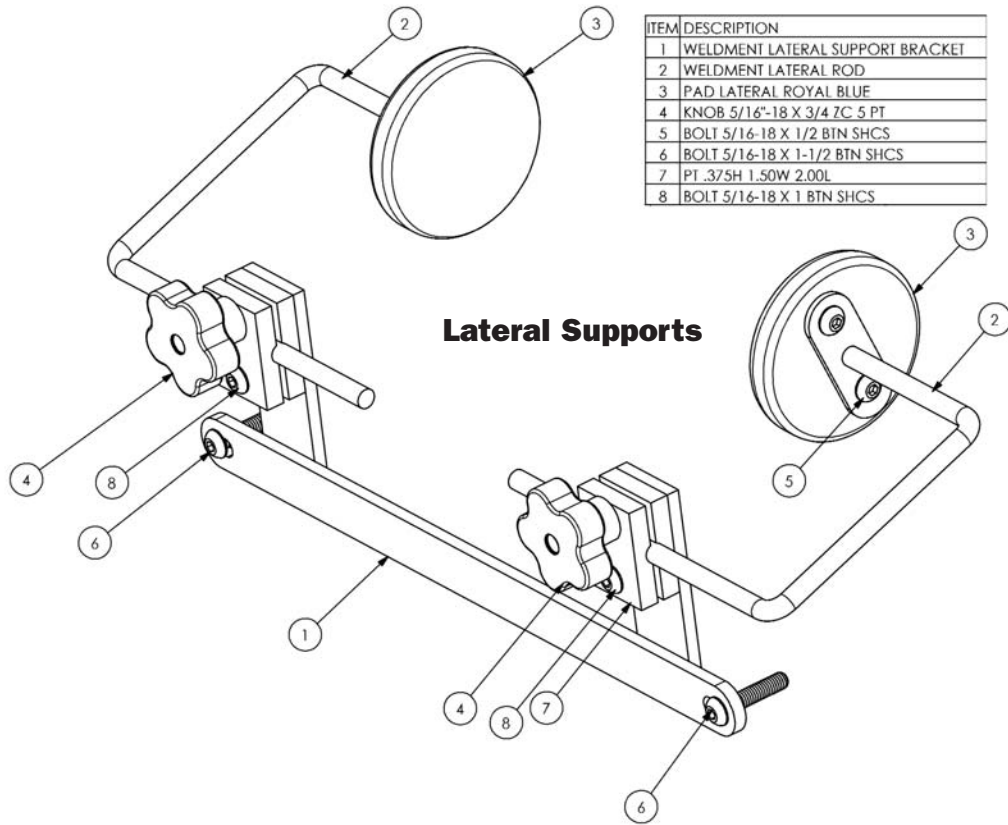
### Seat Belt



### Chest Strap

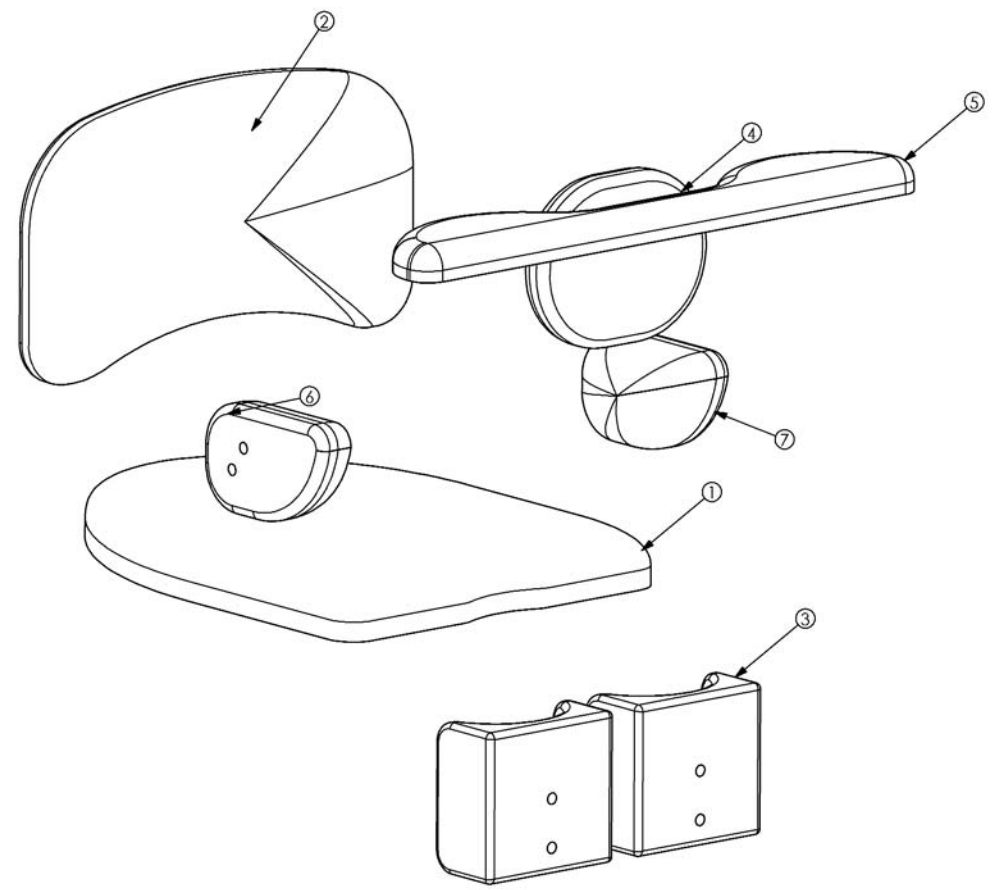


### Lateral Supports



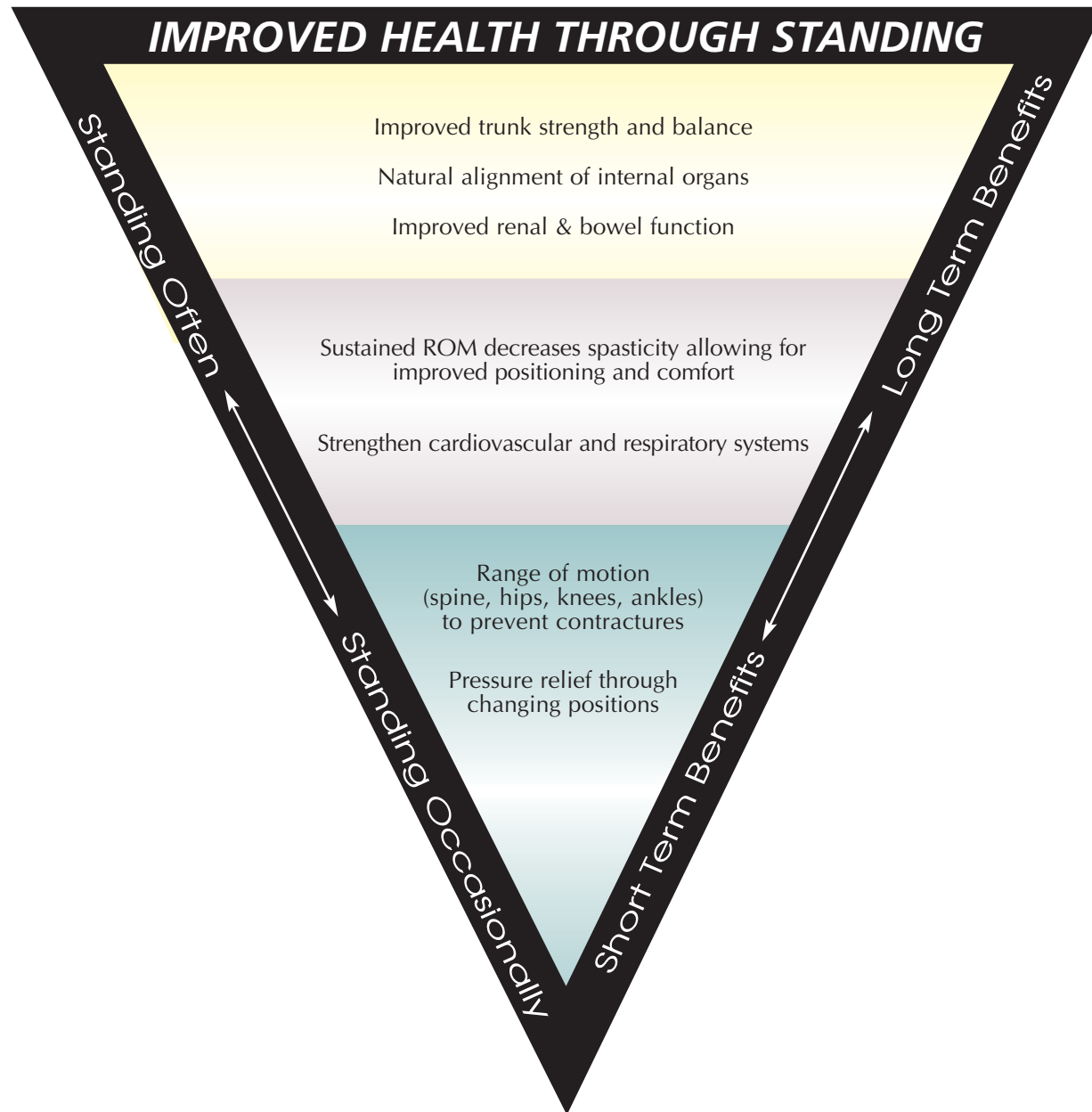
ITEM	DESCRIPTION
1	WELDMENT LATERAL SUPPORT BRACKET
2	WELDMENT LATERAL ROD
3	PAD LATERAL ROYAL BLUE
4	KNOB 5/16"-18 X 3/4 ZC 5 PT
5	BOLT 5/16-18 X 1/2 BTN SHCS
6	BOLT 5/16-18 X 1-1/2 BTN SHCS
7	PT .375H 1.50W 2.00L
8	BOLT 5/16-18 X 1 BTN SHCS

### Upholstery



ITEM	DESCRIPTION
1	PAD SEAT ROYAL BLUE
2	PAD BACK ROYAL BLUE
3	PAD KNEE ROYAL BLUE
4	PAD CHEST ROYAL BLUE
5	PAD TABLE ROYAL BLUE
6	PAD ARM R ROYAL BLUE
7	PAD ARM L ROYAL BLUE

# Health Benefits



# User Log

*photo copy this page for a long term record of your standing progress*

Client Name	Date	Start Time	End Time	Total Time

# Specifications

Height Range	3'-4'6"	91-137cm
Weight Limit	100 lbs.	63kg
Seat Depth Range (from front of seat)	11"-17"	28-43cm
Seat Height from Floor (transfer height)	19"	48cm
Seat to Footplate Range	9"-15"	23-38cm
Table/Frontpad Depth Range (from front of seat)	5" in - 6" out	13-15cm
Kneepad Depth Range (from front of seat)	3"-10.5"	8-27cm
Kneepad Width Range	6"-9.5"	15-24cm
Back Height from Seat	11"	28cm
Side Support Width Range	6.5"-12"	16-30cm
Base Dimensions	22"x33"	56x84cm
Weight of Basic Unit	86 lbs.	39kg
Frame Color	Black Powder Coat	
Standard Upholstery Color	Royal Blue	
Desk Table Dimensions (7000)	20"x22"	51x56cm
Desk Table Dimensions (7500 mobile unit)	15"x20"	38x51cm

# Limited Warranty

This warranty is extended only to the original purchaser/customer (or dealer non consumer who does not buy or resell). Altimate Medical, Inc. (AMI) warrants the EasyStand Magician against defects in materials and workmanship as listed below.

- Steel Frames - 5 year warranty
- Gas Spring - 2 year warranty
- Upholstered components, plastic pads, rubber parts, painted surfaces, bearing and other parts not specifically identified above - 90 day warranty

The warranty period commences for the consumer on the purchase date from the seller/dealer. If the product is rented or otherwise not sold to a consumer, the warranty period commences from the date of invoice from AMI. Any product proven to AMI satisfaction to be defective and within warranty period shall be repaired or replaced at AMI's option. AMI'S SOLE OBLIGATION AND YOUR EXCLUSIVE REMEDY UNDER THIS WARRANTY SHALL BE LIMITED TO SUCH REPAIR AND/OR REPLACEMENT. This warranty does not include any labor charges incurred in replacement parts installation. Freight charges to factory are at the expense of consumer to seller. For warranty service, please contact the authorized dealer from whom you purchased your AMI product. In the event you do not receive satisfactory warranty service, please write directly to AMI at the address below. Do not return products to our factory without prior authorization. LIMITATIONS AND EXCLUSIONS: The foregoing warranty shall not apply to serial numbered products if the serial number has been removed or defaced. Products subject to negligence, abuse mis-use, improper operation, improper maintenance, improper storage, or damages beyond AMI's control are not covered by this warranty, and that evaluation will be solely determined by AMI. The warranty shall not apply to problems arising from normal wear or failure to follow instructions. The warranty will be void if parts not manufactured by AMI or parts not complying with original equipment specifications are added to an AMI product. THE FOREGOING WARRANTY IS EXCLUSIVE AND IN LIEU OF ALL OTHER EXPRESS WARRANTIES. AMI SHALL NOT BE LIABLE FOR ANY CONSEQUENTIAL OR INCIDENTAL DAMAGES WHATSOEVER.

AMI maintains a policy of continual product improvement and reserves the right to change features, specifications, and prices without prior notification. Check with AMI for latest information.

THE FOREGOING WARRANTY IS EXCLUSIVE AND IN LIEU OF ALL OTHER EXPRESS WARRANTIES. AMI SHALL NOT BE LIABLE FOR ANY CONSEQUENTIAL OR INCIDENTAL DAMAGES WHATSOEVER.

AMI maintains a policy of continual product improvement and reserves the right to change features, specifications, and prices without prior notification. Check with AMI for latest information.

Altimate Medical, Inc., 262 W. 1st St., P.O. Box180, Morton, MN 56270  
 Phone: 507•697•6393 Fax: 507•697•6900 1 800•342•8968  
[www.easystand.com](http://www.easystand.com) [info@easystand.com](mailto:info@easystand.com)  
 Revised August 2003

## Environmental Issues

After life of the product:

- Recycle in accordance with the recycling codes of your country.
- Recycle all metal parts.
- Plastic parts should be disposed of or recycled according to the directive in your country.
- Please inquire at your local disposal management and recycling center for local codes.
- Return hydraulic actuator to Altimate Medical, Inc.



EasyStand products are manufactured by Altimate Medical, Inc. A small company with a big heart, based out of Morton, Minnesota. Altimate Medical has been helping people stand for over ten years and is now the number one standing company in the world. If you have any stories or comments about standing please write us at the address below. Thank you.

## **AltimateMedical**

P.O. Box 180  
262 West 1st St  
Morton, MN 56270  
Toll Free: 800.342.8968 or 507.697.6393  
Fax Free: 877.342.8968 or 507.697.6900  
email: [info@easystand.com](mailto:info@easystand.com)  
[www.easystand.com](http://www.easystand.com)

