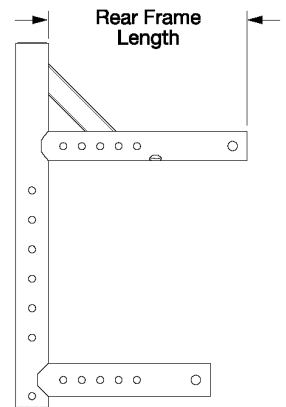
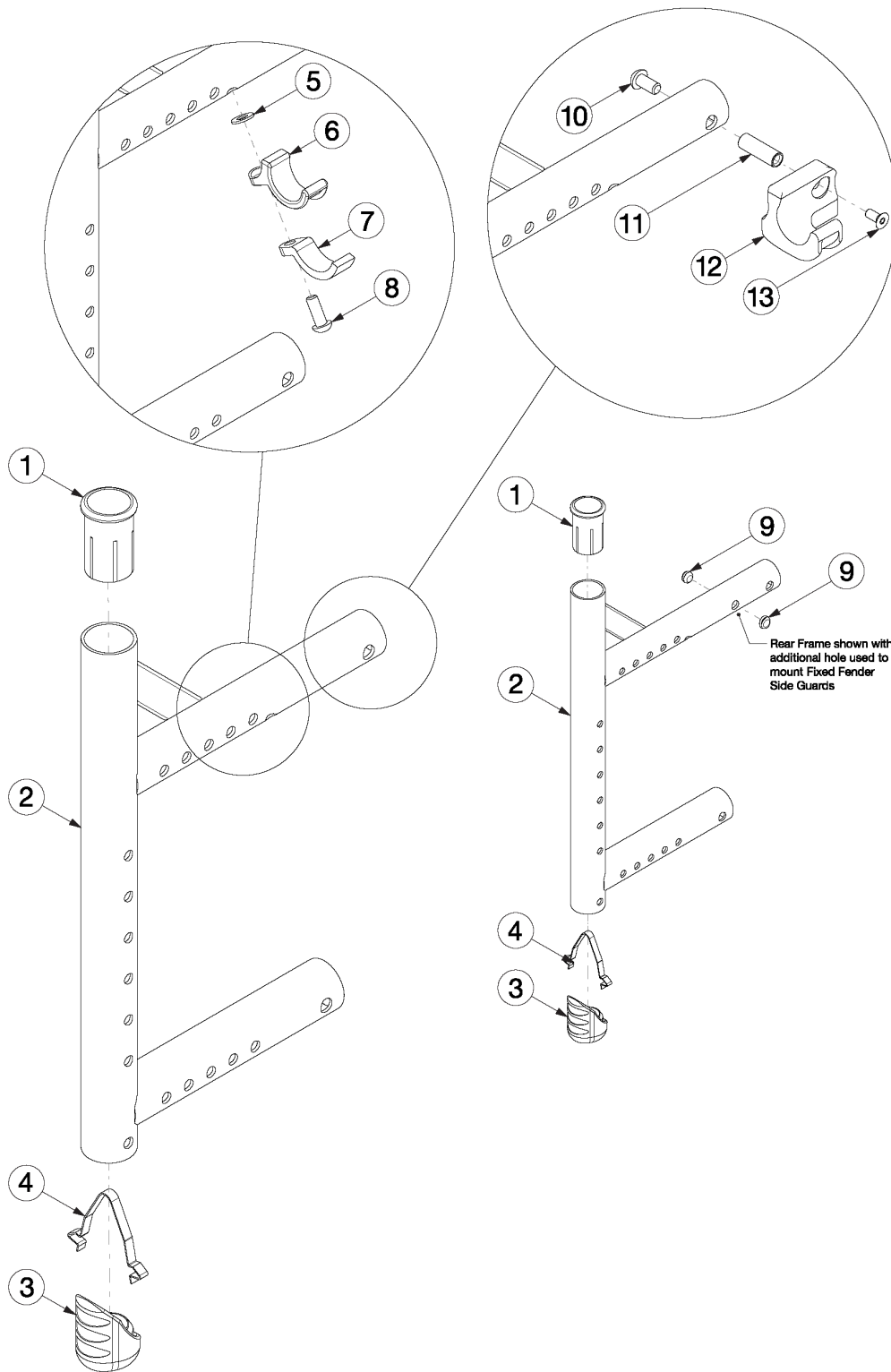


Catalyst 5VX Rear Frame



Rear Frame	Length
Short	6.75"
Long	8.75"

<p>If chair has any type of direct mount side guards, select frame assembly with Side Guard Mount Modification. <p>

Use the short frame for 14-17" Seat Depths. Use the long frame for 18-20" Seat Depths.<p>

This design is effective starting with serial numbers C5053765, C5HD003546, and CVX0091137. Design is compatible with the discontinued vertical axle plate with 0° camber. If retrofitting to add camber spacers and the discontinued rear frame and discontinued vertical axle plate are present, new rear frames and new vertical axle plates are required.<p>

If switching to a new Seat Depth, new Height Adjustable Flip Back T-Arms may be needed.

Item Number	Part Number	Description	Quantity	Retail
1, 2a, 3, 4	003527_ _ _	Frame Assembly Cat 5VX Rear Left Short	1	\$221.40 - \$338.75
1, 2b, 3, 4	003528_ _ _	Frame Assembly Cat 5VX Rear Right Short	1	\$221.40 - \$338.75
1, 2c, 3, 4	003529_ _ _	Frame Assembly Cat 5VX Rear Left Long	1	\$221.40 - \$338.75
1, 2d, 3, 4	003530_ _ _	Frame Assembly Cat 5VX Rear Right Long	1	\$221.40 - \$338.75
1, 2,a, 3, 4	114414_ _ _	Frame Assm Cat 5VX Rear with Side Guard Mount Modification Left Short	1	\$221.40 - \$338.75
1, 2b, 3, 4	114415_ _ _	Frame Assm Cat 5VX Rear with Side Guard Mount Modification Right Short	1	\$221.40 - \$338.75
1, 2c, 3, 4	114416_ _ _	Frame Assm Cat 5VX Rear with Side Guard Mount Modification Left Long	1	\$221.40 - \$338.75
1, 2d, 3, 4	114417_ _ _	Frame Assm Cat 5VX Rear with Side Guard Mount Modification Right Long	1	\$221.40 - \$338.75
1, 2a	506282_ _ _	Frame Assembly w/Backrest Sleeve Only Cat 5VX Rear Left Short <i>Used with Transit Wheels or Left Step Tube</i>	1	\$212.66 - \$330.01
1, 2b	506283_ _ _	Frame Assembly w/Backrest Sleeve Only Cat 5VX Rear Right Short <i>Used with Transit Wheels or Right Step Tube</i>	1	\$212.66 - \$330.01
1, 2c	506284_ _ _	Frame Assembly w/Backrest Sleeve Only Cat 5VX Rear Left Long <i>Used with Transit Wheels or Left Step Tube</i>	1	\$212.66 - \$330.01
1, 2d	506285_ _ _	Frame Assembly w/Backrest Sleeve Only Cat 5VX Rear Right Long <i>Used with Transit Wheels or Right Step Tube</i>	1	\$212.66 - \$330.01
1, 2a	114418_ _ _	Frame Assm w/Backrest Sleeve Only Cat 5VX Rear with Side Guard Mount Modification Left Short <i>Used with Transit Wheels or Left Step Tube</i>	1	\$212.66 - \$330.01
1, 2b	114419_ _ _	Frame Assm w/Backrest Sleeve Only Cat 5VX Rear with Side Guard Mount Modification Right Short <i>Used with Transit Wheels or Right Step Tube</i>	1	\$212.66 - \$330.01
1, 2c	114420_ _ _	Frame Assm w/Backrest Sleeve Only Cat 5VX Rear with Side Guard Mount Modification Left Long <i>Used with Transit Wheels or Left Step Tube</i>	1	\$212.66 - \$330.01
1, 2d	114421_ _ _	Frame Assm w/Backrest Sleeve Only Cat 5VX Rear with Side Guard Mount Modification Right Long <i>Used with Transit Wheels or Right Step Tube</i>	1	\$212.66 - \$330.01
5 - 8a	501005	Seat Hook and Support Hardware Kit, Standard, Catalyst <i>Used with Standard Weight Capacity. This kit contains quantity of 1 each</i>	1	\$17.40

Item Number	Part Number	Description	Quantity	Retail
5 - 7, 8b	114528	Seat Hook and Support Hardware Kit, Standard, for Heavy Duty Catalyst <i>Used with Heavy Duty / 350 lbs Weight Capacity. This kit contains quantity of 1 each</i>	1	\$17.93
10, 11, 12a, 13	111569	Seat Hook and Support Hardware Kit, Seating System, Right Side, Catalyst <i>This kit contains quantity of 1 each</i>	1	\$29.56
10, 11, 12b, 13	111570	Seat Hook and Support Hardware Kit, Seating System, Left Side, Catalyst <i>This kit contains quantity of 1 each</i>	1	\$29.56
1	000030	Backrest Sleeve Cat	1	\$3.52
3	003707	Vx Rear Frame Bumper	1	\$5.25
4	112180	Double Ramp Detent	1	\$4.50
5	100831	1/2" Washer OD .040" Thick	1	\$1.58
6	000003	Seat Hook, Catalyst	1	\$7.70
7	000004	Seat Hook Support, Catalyst	1	\$6.55
8a	100668	M6 x 20 CLS10.9 BTN SHCS ZC w/Patch <i>Used with Standard Weight Capacity</i>	1	\$1.58
8b	101180	M6 x 20 SHCS BLK ZC <i>Used with Heavy Duty / 350 lbs Weight Capacity</i>	1	\$2.10
9	109123	3/8" OD 1/4" ID, SBR Rubber Push-In Plug	2	\$1.02
10	100667	M6 x 12 BTN SHCS BLKZC w/Patch	1	\$1.58
11	000065	M6 x 23.68 Threaded Barrel	1	\$4.13
12a	000960R	Seat Hook Open Frame Right Front Frame / Left Rear Frame, Catalyst	1	\$21.75
12b	000960L	Seat Hook Open Frame Left Front Frame / Right Rear Frame, Catalyst	1	\$21.75
13	101594	M6 x 14 CLS10.9 DIN7991 FSHCS BLKZC w/Patch	1	\$2.10

Matte Finish	
Code	Color Name
CGM	Charcoal Gray
EGM	Emerald Green
GGM	Graphite Gray*
IBM	Iridescent Burgundy
INM	Iridescent Navy
AGM	Military Green**
RRM	Retro Red
RBM	Royal Blue
SBM	Shadow Black
SWM	Smooth White

* Discontinued Color

** Formerly called Army Green

Gloss Finish	
Code	Color Name
BLK	Black
BLU	Blue
SKY	Blue Skies
BRO	Bright Orange*
PNK	Bubblegum Pink
BUR	Burgundy*
CBL	Candy Blue
PUR	Candy Purple
RED	Candy Red
COP	Copper
DPR	Deep Purple*
EBL	Electric Blue*
GRN	Forest Green*
FUS	Fuchsia*
GSM	Granny Smith
MTF	Metallic Fuchsia*
MOR	Metallic Orange
ORG	Orange*
SAP	Sapphire*
SIL	Silver
TEA	Teal
YLW	Yellow
FLM	Graphic Image Transfer