

JAY[®]

SINGLE FOOTBOX INSTALLATION SHEET



Please read these instructions carefully before beginning the installation. Failure to understand and follow installation instructions may result in injury to installer and/or end user and may void the warranty.

If you have any questions call Sunrise Medical Technical support at 800.333.4000

Parts included:

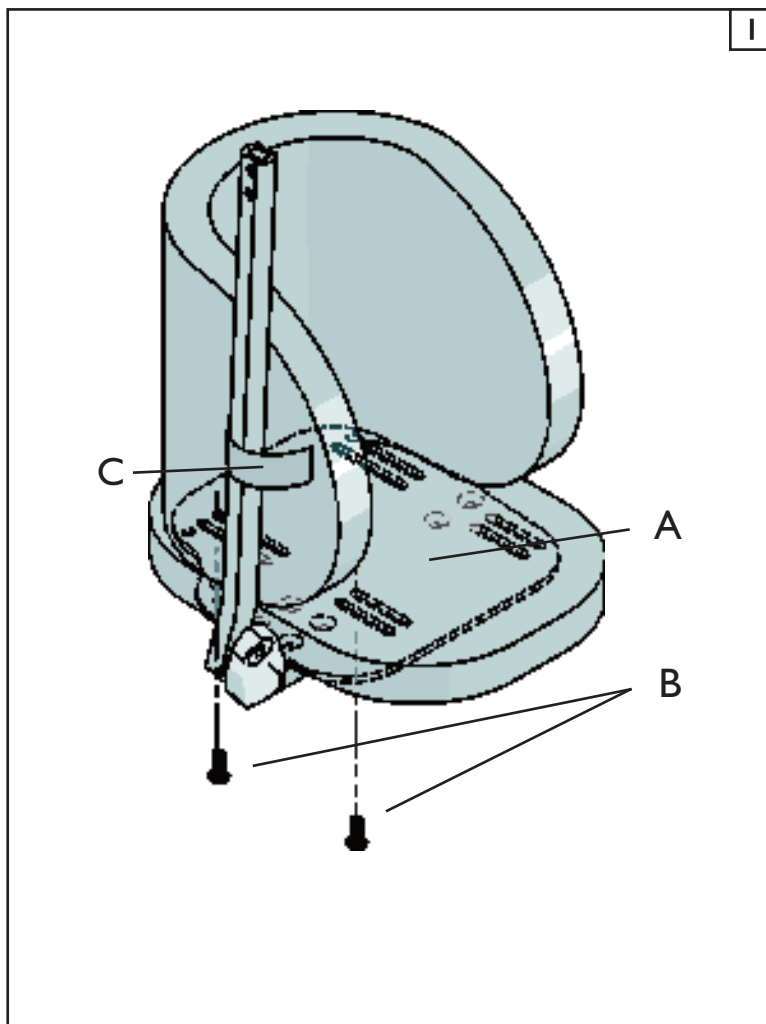
- 1x Single Footbox
- 2x Screws

Tools needed for installation:

- 1x 4mm Hex Wrench

I. Mount Single Footbox onto foot-plate

- a. Fasten Single Footbox onto foot-plate (A) using screws (B), as shown.
- b. Please see drill guide on back of this sheet if foot-plate holes cannot accommodate Single Footbox holes
- c. Place velcro strap (C) around leg rest extension bar.



Sunrise Medical • 2842 Business Park Ave. • Fresno, CA 93727 • USA
In Canada (800) 263-3390



Customer Service: 800.333.4000
www.SunriseMedical.com

©2014 Sunrise Medical (US) LLC
06.14 129296 Rev.A



Footplate Template

