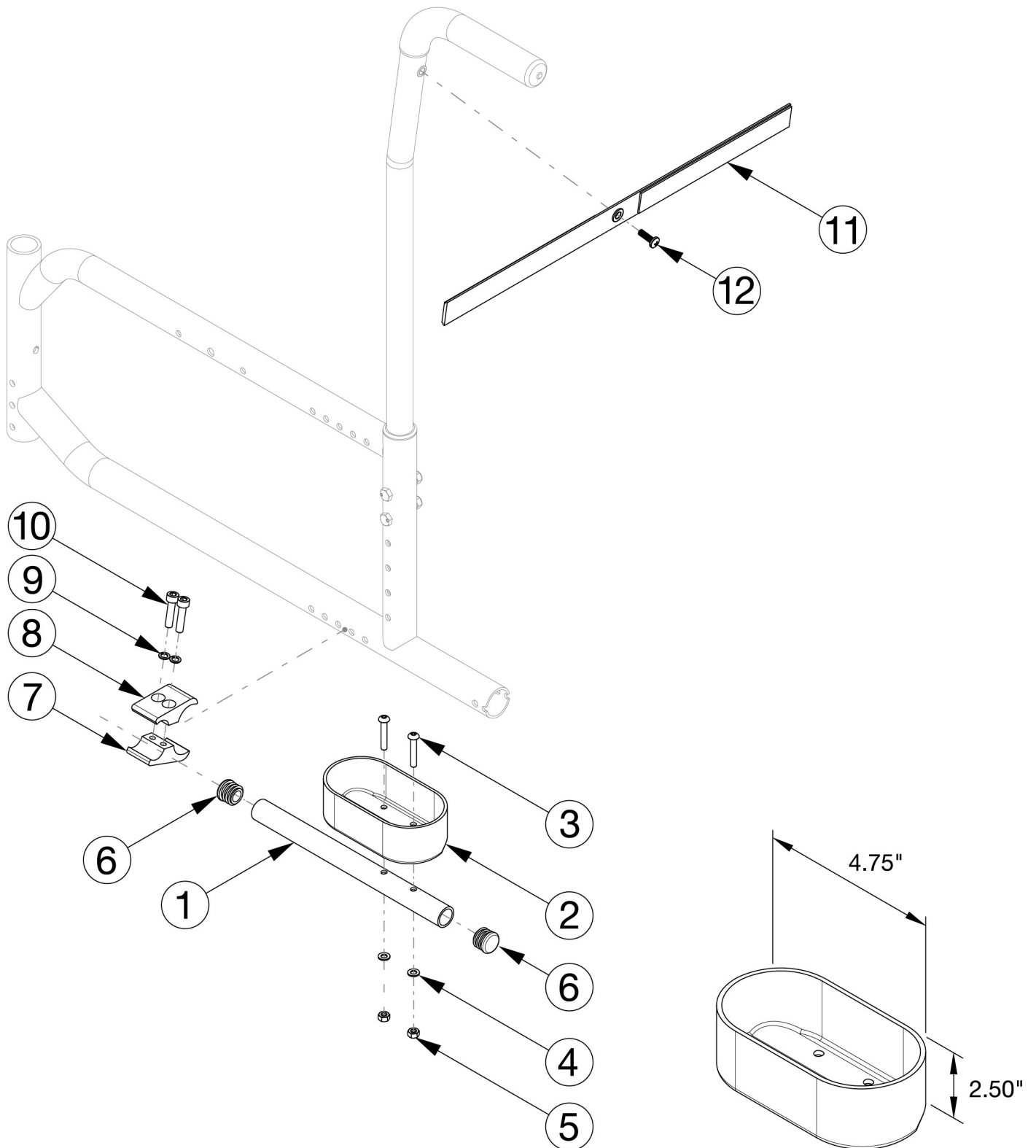


Catalyst E Cane and Crutch Holder



| Item Number | Part Number | Description | Quantity | Retail |
|-------------|-------------|----------------------------------|----------|----------|
| 1 - 12 | 500710 | Crutch Holder Assembly, Catalyst | 1 | \$195.00 |
| 1 | 000919 | Crutch Holder Tube CAT | 1 | \$21.44 |
| 2 | 000917 | Crutch Holder Cup | 1 | \$57.78 |
| 3 | 101560 | M5 x 30 BTN SHCS ZC | 2 | \$2.10 |
| 4 | 101856 | Flat Washer, M5, Blk Zn | 2 | \$0.53 |
| 5 | 100657 | M5 Nylock Nut Blk Zn | 2 | \$0.53 |
| 6 | 100638 | Tube End Plug 3/4" | 2 | \$2.10 |
| 7 | 000379 | Clamp Bottom 1.125" TSU TI | 1 | \$18.91 |
| 8 | 000378 | Clamp Top 1.125" TSU TI | 1 | \$18.91 |
| 9 | 101835 | M6 Lock Washer Blk Zn | 2 | \$0.53 |
| 10 | 100780 | M6 x 25 SHCS ZC | 2 | \$2.10 |
| 11 | 101107 | Crutch Holder Velcro Strap | 1 | \$21.01 |
| 12 | 100734 | M5 x 16 PHMS ZC | 1 | \$1.58 |