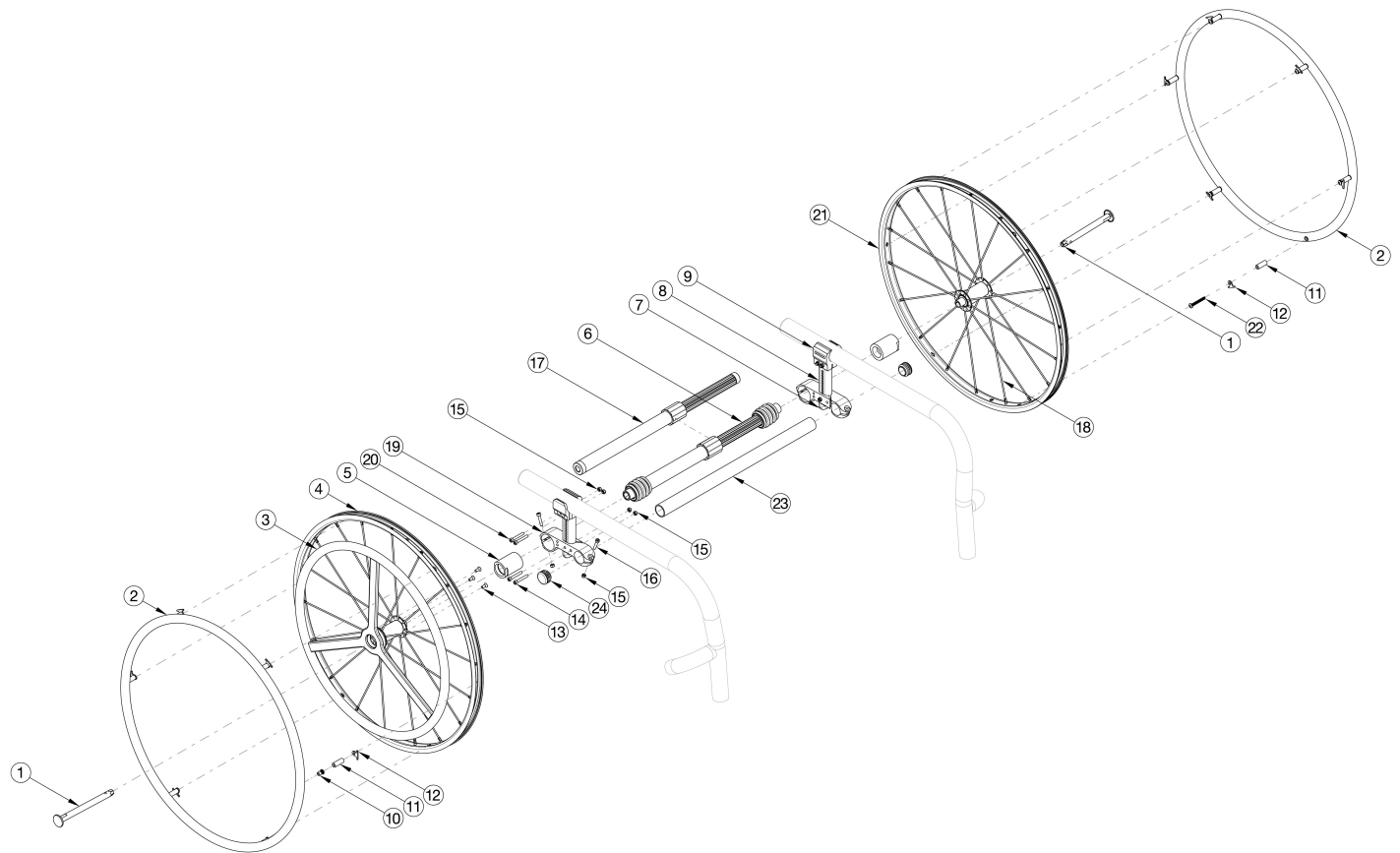


Rogue / Rogue2 / Rogue XP 24" One Arm Drive Quick Release



Most One Arm Drive kits do not include rear tires. If 24" Pneumatic w/ Airless Insert tires are needed, please see kits that include those tires. If retrofitting to add the One Arm Drive, new rear towers are required in addition to the complete One Arm Drive system and camber tube kit. Effective 5/13/2022, all One Arm Drives will be shipped with a close mounted Aluminum Anodized Handrim on the non-drive wheel.

Item Number	Part Number	Description	Quantity
1, 2, 3a, 4, 5a, 10-16, 17a, 19, 21	112699	Rogue Quick Release One Arm Drive Retrofit Kit, 0° Camber, 24" Spoke with Aluminum Drive Handrim, 177-255mm Drive Shaft	1
1, 2, 3a, 4, 5a, 10-16, 17b, 19, 21	112700	Rogue Quick Release One Arm Drive Retrofit Kit, 0° Camber, 24" Spoke with Aluminum Drive Handrim, 225-295mm Drive Shaft	1
1, 2, 3a, 4, 5a, 10-16, 17c, 19, 21	112701	Rogue Quick Release One Arm Drive Retrofit Kit, 0° Camber, 24" Spoke with Aluminum Drive Handrim, 260-370mm Drive Shaft	1
1, 2, 3a, 4, 5a, 10-16, 17d, 19, 21	112702	Rogue Quick Release One Arm Drive Retrofit Kit, 0° Camber, 24" Spoke with Aluminum Drive Handrim, 330-440mm Drive Shaft	1
1, 2, 3a, 4, 5a, 10-16, 17e, 19, 21	112703	Rogue Quick Release One Arm Drive Retrofit Kit, 0° Camber, 24" Spoke with Aluminum Drive Handrim, 421-491mm Drive Shaft	1
1, 2, 3a, 4, 5b, 6a, 10-16, 19, 21	112704	Rogue Quick Release One Arm Drive Retrofit Kit, 2° Camber, 24" Spoke with Aluminum Drive Handrim, 170-195mm Drive Shaft	1

Item Number	Part Number	Description	Quantity
1, 2, 3a, 4, 5b, 6b, 10-16, 19, 21	112705	Rogue Quick Release One Arm Drive Retrofit Kit, 2° Camber, 24" Spoke with Aluminum Drive Handrim, 180-210mm Drive Shaft	1
1, 2, 3a, 4, 5b, 6c, 10-16, 19, 21	112706	Rogue Quick Release One Arm Drive Retrofit Kit, 2° Camber, 24" Spoke with Aluminum Drive Handrim, 195-235mm Drive Shaft	1
1, 2, 3a, 4, 5b, 6d, 10-16, 19, 21	112707	Rogue Quick Release One Arm Drive Retrofit Kit, 2° Camber, 24" Spoke with Aluminum Drive Handrim, 220-280mm Drive Shaft	1
1, 2, 3a, 4, 5b, 6e, 10-16, 19, 21	112708	Rogue Quick Release One Arm Drive Retrofit Kit, 2° Camber, 24" Spoke with Aluminum Drive Handrim, 270-330mm Drive Shaft	1
1, 2, 3a, 4, 5b, 6f, 10-16, 19, 21	112709	Rogue Quick Release One Arm Drive Retrofit Kit, 2° Camber, 24" Spoke with Aluminum Drive Handrim, 295-370mm Drive Shaft	1
1, 2, 3a, 4, 5b, 6g, 10-16, 19, 21	112710	Rogue Quick Release One Arm Drive Retrofit Kit, 2° Camber, 24" Spoke with Aluminum Drive Handrim, 350-460mm Drive Shaft	1
1, 2, 3a, 4, 5b, 6h, 10-16, 19, 21	112711	Rogue Quick Release One Arm Drive Retrofit Kit, 2° Camber, 24" Spoke with Aluminum Drive Handrim, 420-530mm Drive Shaft	1
1, 2, 3a, 4, 5c, 6c, 10-16, 19, 21	112712	Rogue Quick Release One Arm Drive Retrofit Kit, 4° Camber, 24" Spoke with Aluminum Drive Handrim, 195-235mm Drive Shaft	1
1, 2, 3a, 4, 5c, 6d, 10-16, 19, 21	112713	Rogue Quick Release One Arm Drive Retrofit Kit, 4° Camber, 24" Spoke with Aluminum Drive Handrim, 220-280mm Drive Shaft	1
1, 2, 3a, 4, 5c, 6e, 10-16, 19, 21	112714	Rogue Quick Release One Arm Drive Retrofit Kit, 4° Camber, 24" Spoke with Aluminum Drive Handrim, 270-330mm Drive Shaft	1
1, 2, 3a, 4, 5c, 6f, 10-16, 19, 21	112715	Rogue Quick Release One Arm Drive Retrofit Kit, 4° Camber, 24" Spoke with Aluminum Drive Handrim, 295-370mm Drive Shaft	1
1, 2, 3a, 4, 5c, 6g, 10-16, 19, 21	112716	Rogue Quick Release One Arm Drive Retrofit Kit, 4° Camber, 24" Spoke with Aluminum Drive Handrim, 350-460mm Drive Shaft	1
1, 2, 3a, 4, 5c, 6g, 10-16, 19, 21	118307	Rogue Quick Release One Arm Drive Retrofit Kit, 0° Camber, 24" Spoke, Pneumatic w/ Airless Insert Tire (Black) with Aluminum Drive Handrim, 177-255mm Drive Shaft	1
1, 2, 3a, 4, 5c, 6g, 10-16, 19, 21	118308	Rogue Quick Release One Arm Drive Retrofit Kit, 0° Camber, 24" Spoke, Pneumatic w/ Airless Insert Tire (Black) with Aluminum Drive Handrim, 225-295mm Drive Shaft	1
1, 2, 3a, 4, 5c, 6g, 10-16, 19, 21	118309	Rogue Quick Release One Arm Drive Retrofit Kit, 0° Camber, 24" Spoke, Pneumatic w/ Airless Insert Tire (Black) with Aluminum Drive Handrim, 260-370mm Drive Shaft	1
1, 2, 3a, 4, 5c, 6g, 10-16, 19, 21	118310	Rogue Quick Release One Arm Drive Retrofit Kit, 0° Camber, 24" Spoke, Pneumatic w/ Airless Insert Tire (Black) with Aluminum Drive Handrim, 330-440mm Drive Shaft	1
1, 2, 3a, 4, 5c, 6g, 10-16, 19, 21	118311	Rogue Quick Release One Arm Drive Retrofit Kit, 0° Camber, 24" Spoke, Pneumatic w/ Airless Insert Tire (Black) with Aluminum Drive Handrim, 421-491mm Drive Shaft	1

Item Number	Part Number	Description	Quantity
1, 2, 3a, 4, 5c, 6g, 10-16, 19, 21	118312	Rogue Quick Release One Arm Drive Retrofit Kit, 2° Camber, 24" Spoke, Pneumatic w/ Airless Insert Tire (Black) with Aluminum Drive Handrim, 170-195mm Drive Shaft	1
1, 2, 3a, 4, 5c, 6g, 10-16, 19, 21	118313	Rogue Quick Release One Arm Drive Retrofit Kit, 2° Camber, 24" Spoke, Pneumatic w/ Airless Insert Tire (Black) with Aluminum Drive Handrim, 180-210mm Drive Shaft	1
1, 2, 3a, 4, 5c, 6g, 10-16, 19, 21	118314	Rogue Quick Release One Arm Drive Retrofit Kit, 2° Camber, 24" Spoke, Pneumatic w/ Airless Insert Tire (Black) with Aluminum Drive Handrim, 195-235mm Drive Shaft	1
1, 2, 3a, 4, 5c, 6g, 10-16, 19, 21	118315	Rogue Quick Release One Arm Drive Retrofit Kit, 2° Camber, 24" Spoke, Pneumatic w/ Airless Insert Tire (Black) with Aluminum Drive Handrim, 220-280mm Drive Shaft	1
1, 2, 3a, 4, 5c, 6g, 10-16, 19, 21	118316	Rogue Quick Release One Arm Drive Retrofit Kit, 2° Camber, 24" Spoke, Pneumatic w/ Airless Insert Tire (Black) with Aluminum Drive Handrim, 270-330mm Drive Shaft	1
1, 2, 3a, 4, 5c, 6g, 10-16, 19, 21	118317	Rogue Quick Release One Arm Drive Retrofit Kit, 2° Camber, 24" Spoke, Pneumatic w/ Airless Insert Tire (Black) with Aluminum Drive Handrim, 295-370mm Drive Shaft	1
1, 2, 3a, 4, 5c, 6g, 10-16, 19, 21	118318	Rogue Quick Release One Arm Drive Retrofit Kit, 2° Camber, 24" Spoke, Pneumatic w/ Airless Insert Tire (Black) with Aluminum Drive Handrim, 350-460mm Drive Shaft	1
1, 2, 3a, 4, 5c, 6g, 10-16, 19, 21	118319	Rogue Quick Release One Arm Drive Retrofit Kit, 2° Camber, 24" Spoke, Pneumatic w/ Airless Insert Tire (Black) with Aluminum Drive Handrim, 420-530mm Drive Shaft	1
1, 2, 3a, 4, 5c, 6g, 10-16, 19, 21	118320	Rogue Quick Release One Arm Drive Retrofit Kit, 4° Camber, 24" Spoke, Pneumatic w/ Airless Insert Tire (Black) with Aluminum Drive Handrim, 195-235mm Drive Shaft	1
1, 2, 3a, 4, 5c, 6g, 10-16, 19, 21	118321	Rogue Quick Release One Arm Drive Retrofit Kit, 4° Camber, 24" Spoke, Pneumatic w/ Airless Insert Tire (Black) with Aluminum Drive Handrim, 220-280mm Drive Shaft	1
1, 2, 3a, 4, 5c, 6g, 10-16, 19, 21	118322	Rogue Quick Release One Arm Drive Retrofit Kit, 4° Camber, 24" Spoke, Pneumatic w/ Airless Insert Tire (Black) with Aluminum Drive Handrim, 270-330mm Drive Shaft	1
1, 2, 3a, 4, 5c, 6g, 10-16, 19, 21	118323	Rogue Quick Release One Arm Drive Retrofit Kit, 4° Camber, 24" Spoke, Pneumatic w/ Airless Insert Tire (Black) with Aluminum Drive Handrim, 295-370mm Drive Shaft	1
1, 2, 3a, 4, 5c, 6g, 10-16, 19, 21	118324	Rogue Quick Release One Arm Drive Retrofit Kit, 4° Camber, 24" Spoke, Pneumatic w/ Airless Insert Tire (Black) with Aluminum Drive Handrim, 350-460mm Drive Shaft	1
1, 2, 3b, 4, 5a, 10-16, 17a, 19, 21	115170	Rogue Quick Release One Arm Drive Retrofit Kit, 0° Camber, 24" Spoke with Poly Coated Drive Handrim, 177-255mm Drive Shaft	1
1, 2, 3b, 4, 5a, 10-16, 17b, 19, 21	115171	Rogue Quick Release One Arm Drive Retrofit Kit, 0° Camber, 24" Spoke with Poly Coated Drive Handrim, 225-295mm Drive Shaft	1

Item Number	Part Number	Description	Quantity
1, 2, 3b, 4, 5a, 10-16, 17c, 19, 21	115172	Rogue Quick Release One Arm Drive Retrofit Kit, 0° Camber, 24" Spoke with Poly Coated Drive Handrim, 260-370mm Drive Shaft	1
1, 2, 3b, 4, 5a, 10-16, 17d, 19, 21	115173	Rogue Quick Release One Arm Drive Retrofit Kit, 0° Camber, 24" Spoke with Poly Coated Drive Handrim, 330-440mm Drive Shaft	1
1, 2, 3b, 4, 5a, 10-16, 17e, 19, 21	115174	Rogue Quick Release One Arm Drive Retrofit Kit, 0° Camber, 24" Spoke with Poly Coated Drive Handrim, 421-491mm Drive Shaft	1
1, 2, 3b, 4, 5b, 6a, 10-16, 19, 21	115175	Rogue Quick Release One Arm Drive Retrofit Kit, 2° Camber, 24" Spoke with Poly Coated Drive Handrim, 170-195mm Drive Shaft	1
1, 2, 3b, 4, 5b, 6b, 10-16, 19, 21	115176	Rogue Quick Release One Arm Drive Retrofit Kit, 2° Camber, 24" Spoke with Poly Coated Drive Handrim, 180-210mm Drive Shaft	1
1, 2, 3b, 4, 5b, 6c, 10-16, 19, 21	115177	Rogue Quick Release One Arm Drive Retrofit Kit, 2° Camber, 24" Spoke with Poly Coated Drive Handrim, 195-235mm Drive Shaft	1
1, 2, 3b, 4, 5b, 6d, 10-16, 19, 21	115178	Rogue Quick Release One Arm Drive Retrofit Kit, 2° Camber, 24" Spoke with Poly Coated Drive Handrim, 220-280mm Drive Shaft	1
1, 2, 3b, 4, 5b, 6e, 10-16, 19, 21	115179	Rogue Quick Release One Arm Drive Retrofit Kit, 2° Camber, 24" Spoke with Poly Coated Drive Handrim, 270-330mm Drive Shaft	1
1, 2, 3b, 4, 5b, 6f, 10-16, 19, 21	115180	Rogue Quick Release One Arm Drive Retrofit Kit, 2° Camber, 24" Spoke with Poly Coated Drive Handrim, 295-370mm Drive Shaft	1
1, 2, 3b, 4, 5b, 6g, 10-16, 19, 21	115181	Rogue Quick Release One Arm Drive Retrofit Kit, 2° Camber, 24" Spoke with Poly Coated Drive Handrim, 350-460mm Drive Shaft	1
1, 2, 3b, 4, 5b, 6h, 10-16, 19, 21	115182	Rogue Quick Release One Arm Drive Retrofit Kit, 2° Camber, 24" Spoke with Poly Coated Drive Handrim, 420-530mm Drive Shaft	1
1, 2, 3b, 4, 5c, 6c, 10-16, 19, 21	115183	Rogue Quick Release One Arm Drive Retrofit Kit, 4° Camber, 24" Spoke with Poly Coated Drive Handrim, 195-235mm Drive Shaft	1
1, 2, 3b, 4, 5c, 6d, 10-16, 19, 21	115184	Rogue Quick Release One Arm Drive Retrofit Kit, 4° Camber, 24" Spoke with Poly Coated Drive Handrim, 220-280mm Drive Shaft	1
1, 2, 3b, 4, 5c, 6e, 10-16, 19, 21	115185	Rogue Quick Release One Arm Drive Retrofit Kit, 4° Camber, 24" Spoke with Poly Coated Drive Handrim, 270-330mm Drive Shaft	1
1, 2, 3b, 4, 5c, 6f, 10-16, 19, 21	115186	Rogue Quick Release One Arm Drive Retrofit Kit, 4° Camber, 24" Spoke with Poly Coated Drive Handrim, 295-370mm Drive Shaft	1
1, 2, 3b, 4, 5c, 6g, 10-16, 19, 21	115187	Rogue Quick Release One Arm Drive Retrofit Kit, 4° Camber, 24" Spoke with Poly Coated Drive Handrim, 350-460mm Drive Shaft	1
1, 2, 3b, 4, 5c, 6g, 10-16, 19, 21	118325	Rogue Quick Release One Arm Drive Retrofit Kit, 0° Camber, 24" Spoke, Pneumatic w/ Airless Insert Tire (Black) with Poly Coated Drive Handrim, 177-255mm Drive Shaft	1
1, 2, 3b, 4, 5c, 6g, 10-16, 19, 21	118326	Rogue Quick Release One Arm Drive Retrofit Kit, 0° Camber, 24" Spoke, Pneumatic w/ Airless Insert Tire (Black) with Poly Coated Drive Handrim, 225-295mm Drive Shaft	1

Item Number	Part Number	Description	Quantity
1, 2, 3b, 4, 5c, 6g, 10-16, 19, 21	118327	Rogue Quick Release One Arm Drive Retrofit Kit, 0° Camber, 24" Spoke, Pneumatic w/ Airless Insert Tire (Black) with Poly Coated Drive Handrim, 260-370mm Drive Shaft	1
1, 2, 3b, 4, 5c, 6g, 10-16, 19, 21	118328	Rogue Quick Release One Arm Drive Retrofit Kit, 0° Camber, 24" Spoke, Pneumatic w/ Airless Insert Tire (Black) with Poly Coated Drive Handrim, 330-440mm Drive Shaft	1
1, 2, 3b, 4, 5c, 6g, 10-16, 19, 21	118329	Rogue Quick Release One Arm Drive Retrofit Kit, 0° Camber, 24" Spoke, Pneumatic w/ Airless Insert Tire (Black) with Poly Coated Drive Handrim, 421-491mm Drive Shaft	1
1, 2, 3b, 4, 5c, 6g, 10-16, 19, 21	118330	Rogue Quick Release One Arm Drive Retrofit Kit, 2° Camber, 24" Spoke, Pneumatic w/ Airless Insert Tire (Black) with Poly Coated Drive Handrim, 170-195mm Drive Shaft	1
1, 2, 3b, 4, 5c, 6g, 10-16, 19, 21	118331	Rogue Quick Release One Arm Drive Retrofit Kit, 2° Camber, 24" Spoke, Pneumatic w/ Airless Insert Tire (Black) with Poly Coated Drive Handrim, 180-210mm Drive Shaft	1
1, 2, 3b, 4, 5c, 6g, 10-16, 19, 21	118332	Rogue Quick Release One Arm Drive Retrofit Kit, 2° Camber, 24" Spoke, Pneumatic w/ Airless Insert Tire (Black) with Poly Coated Drive Handrim, 195-235mm Drive Shaft	1
1, 2, 3b, 4, 5c, 6g, 10-16, 19, 21	118333	Rogue Quick Release One Arm Drive Retrofit Kit, 2° Camber, 24" Spoke, Pneumatic w/ Airless Insert Tire (Black) with Poly Coated Drive Handrim, 220-280mm Drive Shaft	1
1, 2, 3b, 4, 5c, 6g, 10-16, 19, 21	118334	Rogue Quick Release One Arm Drive Retrofit Kit, 2° Camber, 24" Spoke, Pneumatic w/ Airless Insert Tire (Black) with Poly Coated Drive Handrim, 270-330mm Drive Shaft	1
1, 2, 3b, 4, 5c, 6g, 10-16, 19, 21	118335	Rogue Quick Release One Arm Drive Retrofit Kit, 2° Camber, 24" Spoke, Pneumatic w/ Airless Insert Tire (Black) with Poly Coated Drive Handrim, 295-370mm Drive Shaft	1
1, 2, 3b, 4, 5c, 6g, 10-16, 19, 21	118336	Rogue Quick Release One Arm Drive Retrofit Kit, 2° Camber, 24" Spoke, Pneumatic w/ Airless Insert Tire (Black) with Poly Coated Drive Handrim, 350-460mm Drive Shaft	1
1, 2, 3b, 4, 5c, 6g, 10-16, 19, 21	118337	Rogue Quick Release One Arm Drive Retrofit Kit, 2° Camber, 24" Spoke, Pneumatic w/ Airless Insert Tire (Black) with Poly Coated Drive Handrim, 420-530mm Drive Shaft	1
1, 2, 3b, 4, 5c, 6g, 10-16, 19, 21	118338	Rogue Quick Release One Arm Drive Retrofit Kit, 4° Camber, 24" Spoke, Pneumatic w/ Airless Insert Tire (Black) with Poly Coated Drive Handrim, 195-235mm Drive Shaft	1
1, 2, 3b, 4, 5c, 6g, 10-16, 19, 21	118339	Rogue Quick Release One Arm Drive Retrofit Kit, 4° Camber, 24" Spoke, Pneumatic w/ Airless Insert Tire (Black) with Poly Coated Drive Handrim, 220-280mm Drive Shaft	1
1, 2, 3b, 4, 5c, 6g, 10-16, 19, 21	118340	Rogue Quick Release One Arm Drive Retrofit Kit, 4° Camber, 24" Spoke, Pneumatic w/ Airless Insert Tire (Black) with Poly Coated Drive Handrim, 270-330mm Drive Shaft	1

Item Number	Part Number	Description	Quantity
1, 2, 3b, 4, 5c, 6g, 10-16, 19, 21	118341	Rogue Quick Release One Arm Drive Retrofit Kit, 4° Camber, 24" Spoke, Pneumatic w/ Airless Insert Tire (Black) with Poly Coated Drive Handrim, 295-370mm Drive Shaft	1
1, 2, 3b, 4, 5c, 6g, 10-16, 19, 21	118342	Rogue Quick Release One Arm Drive Retrofit Kit, 4° Camber, 24" Spoke, Pneumatic w/ Airless Insert Tire (Black) with Poly Coated Drive Handrim, 350-460mm Drive Shaft	1
1, 2, 11b, 12, 21, 22	119589	Quick Release One Arm Drive, 24" Spoke Wheel with Axle (Driven Side) and Close Mounted Handrim	1
1, 3a, 4, 13	112901	Quick Release One Arm Drive Drive, 24" Spoke Wheel with Axle and Aluminum Drive Handrim	1
1, 3b, 4, 13	115288	Quick Release One Arm Drive Drive, 24" Spoke Wheel with Axle and Poly Coated Drive Handrim	1
10, 11a, 12	502168	Handrim Hardware Kit, 6 Rivet Nut, EACH	1
2.0	200349	Handrim Hard Anodized 6 Rivet Nut 24" <i>Does not include mounting hardware</i>	1
2, 11b, 12, 22	116449	Aluminum Anodized Handrim 6 Rivet Nut 24" with Close Mount Hardware, Non-Drive Side	1
3a	111520	Quick Release One Arm Drive, Aluminum Drive Side Handrim for 24" Wheel <i>Does not include mounting hardware</i>	1
3b	112435	Quick Release One Arm Drive, Poly Coated Drive Side Handrim for 24" Wheel <i>Does not include mounting hardware</i>	1
3c	118248	Quick Release One Arm Drive, Aluminum Drive Side Handrim for 24" Wheel with Micro Grip <i>Does not include mounting hardware</i>	1
1, 4b	118236	24" Spoke Wheel for One Arm Drive with Axle, Pneumatic Tire (Black) w/ Airless Insert, (Drive Side) <i>Does not include handrim</i>	1
5a	107031	One Arm Drive Blade/Quick Release Camber Plug w/Bearings - 0° Camber	2
5a, 19	108074	One Arm Drive Rogue/Clik Axle Mount 0 Degree Camber PAIR	1
5b, 19	003209	One Arm Drive Rogue/Clik Axle Mount 2 Degree Camber, PAIR	1
5c, 19	003210	One Arm Drive Rogue/Clik Axle Mount 4 Degree Camber Each	2
6a	111858	One Arm Drive - Quick Release Camber Drive Shaft 170-195mm	1
6b	111627	One Arm Drive - Quick Release Camber Drive Shaft 180-210mm	1
6c	111628	One Arm Drive - Quick Release Camber Drive Shaft 195-235mm	1
6d	111498	One Arm Drive - Quick Release Camber Drive Shaft 220-280mm	1
6e	111499	One Arm Drive - Quick Release Camber Drive Shaft 270-330mm	1
6f	111500	One Arm Drive - Quick Release Camber Drive Shaft 295-370mm	1

Item Number	Part Number	Description	Quantity
6g	111501	One Arm Drive - Quick Release Camber Drive Shaft 350-460mm	1
6h	111502	One Arm Drive - Quick Release Camber Drive Shaft 420-530mm	1
7	000920	Camber Mount Cap Rigid	2
8a	000924	Camber Mount Tower Medium Black Anodized Rigid	1
8b	000924_ _ _	Color Anodized Camber Mount Tower Medium Rigid	2
8c	000925	Camber Mount Tower Long Black Anodized Rigid	2
8d	000925_ _ _	Color Anodized Camber Mount Tower Long Rigid	2
8e	000926	Camber Mount Tower Extra Long Black Anodized Rigid	2
8f	000926_ _ _	Color Anodized Camber Mount Tower Extra Long Rigid	2
9a, 15, 20	503289	Camber Tower Clamp Black Anodized w/ Hardware Assembly, One Side RG/LW <i>If negative CG, see Rogue and Little Wave Camber Mount page</i>	1
9b, 15, 20	503289_ _ _	Color Anodized Camber Tower Clamp w/ Hardware Assembly, One Side RG/LW <i>If negative CG, see Rogue and Little Wave Camber Mount page</i>	1
10	100654	M5 x 40 DIN7985 PH Pan HD M/S ZC	6
11a	100653	Handrim Spacer Spoke	6
12	100698	Handrim Tab	6
13	103522	M5 x 0.8 x 12 FHCS CLS 10.9 Nyl Blk Zn DIN7991	3
14	101734	M5 x 35 SHCS BLK ZC	2
15	100657	M5 Nylock Nut Blk Zn	4
16	101717	M5 x 25 SHCS BLK ZC	2
17a	111503	One Arm Drive - Quick Release Zero Camber Drive Shaft 177-255mm	1
17b	111504	One Arm Drive - Quick Release Zero Camber Drive Shaft 225-295mm	1
17c	111505	One Arm Drive - Quick Release Zero Camber Drive Shaft 260-370mm	1
17d	111506	One Arm Drive - Quick Release Zero Camber Drive Shaft 330-440mm	1
17e	111507	One Arm Drive - Quick Release Zero Camber Drive Shaft 421-491mm	1
18c	111515	Replacement Spoke, Quick Release One Arm Drive, 24"	1
20	101186	M5 X 45 CLS12.9 DIN912 SHCS P/THD BLZ	4

Item Number	Part Number	Description	Quantity
		<i>Used with positive CG. If negative CG, see Rogue and Little Wave Camber Mount page</i>	
21	118237	24" Spoke Wheel for One Arm Drive with Axle, Pneumatic Tire (Black) w/ Airless Insert, (Driven Side) and Close Mount Handrim	1
22	102616	M5 X 25 BHCS BLK ZC	1
23a	003369	One Arm Drive Camber Tube 11" Kit, Klik / Rogue XP <i>Does not include tube end plugs</i>	1
23b	003370	One Arm Drive Camber Tube 12" Kit, Klik / Rogue / Rogue XP <i>Does not include tube end plugs</i>	1
23c	003371	One Arm Drive Camber Tube 13" Kit, Klik / Rogue / Rogue XP <i>Does not include tube end plugs</i>	1
23d	003372	One Arm Drive Camber Tube 14" Kit, Klik / Rogue / Rogue XP <i>Does not include tube end plugs</i>	1
23e	003373	One Arm Drive Camber Tube 15" Kit, Klik / Rogue / Rogue XP <i>Does not include tube end plugs</i>	1
23f	003374	One Arm Drive Camber Tube 16" Kit, Klik / Rogue / Rogue XP <i>Does not include tube end plugs</i>	1
23g	003708	One Arm Drive Camber Tube 17" Kit, Klik / Rogue / Rogue XP <i>Does not include tube end plugs</i>	1
23h	003709	One Arm Drive Camber Tube 18" Kit, Klik / Rogue / Rogue XP <i>Does not include tube end plugs</i>	1
23i	116857	One Arm Drive Camber Tube 19" Kit, Rogue <i>Does not include tube end plugs</i>	1
23j	116858	One Arm Drive Camber Tube 20" Kit, Rogue <i>Does not include tube end plugs</i>	1
24	100532	Tube End Plug 1 1/8"	1

DRIVE SHAFT LENGTH BY CONFIGURATION				
ROGUE SEAT WIDTH	WHEEL SPACING	CAMBER	DESCRIPTION	PART NUMBER
SEAT WIDTH 11"	1.75	0	QUICK RELEASE OAD ZERO CAMBER DRIVE SHAFT 177-255MM	~111503
	.75, 1	2	QUICK RELEASE OAD CAMBER DRIVE SHAFT 170-195MM	#111858
	1.25	2	QUICK RELEASE OAD CAMBER DRIVE SHAFT 180-210MM	#111627
	1.5	2	QUICK RELEASE OAD CAMBER DRIVE SHAFT 195-235MM	#111628
	1.75	2	QUICK RELEASE OAD CAMBER DRIVE SHAFT 195-235MM	~111628
	1	4	QUICK RELEASE OAD CAMBER DRIVE SHAFT 195-235MM	#111628
	1.25	4	QUICK RELEASE OAD CAMBER DRIVE SHAFT 220-280MM	~111498
SEAT WIDTH 12"	1.5	0	QUICK RELEASE OAD ZERO CAMBER DRIVE SHAFT 177-255MM	111503
	1.75	0	QUICK RELEASE OAD ZERO CAMBER DRIVE SHAFT 177-255MM	~111503
	.75, 1	2	QUICK RELEASE OAD CAMBER DRIVE SHAFT 180-210MM	#111627
	1.25, 1.5	2	QUICK RELEASE OAD CAMBER DRIVE SHAFT 195-235MM	111628
	1.75	2	QUICK RELEASE OAD CAMBER DRIVE SHAFT 220-280MM	~111498
	0.75	4	QUICK RELEASE OAD CAMBER DRIVE SHAFT 195-235MM	111628
	1	4	QUICK RELEASE OAD CAMBER DRIVE SHAFT 220-280MM	~111498
1.25	4	QUICK RELEASE OAD CAMBER DRIVE SHAFT 220-280MM	~111498	
SEAT WIDTH 13"	1, 1.25, 1.5	0	QUICK RELEASE OAD ZERO CAMBER DRIVE SHAFT 177-255MM	111503
	1.75	0	QUICK RELEASE OAD ZERO CAMBER DRIVE SHAFT 225-295MM	~111504
	.75, 1	2	QUICK RELEASE OAD CAMBER DRIVE SHAFT 195-235MM	111628
	1.25, 1.5	2	QUICK RELEASE OAD CAMBER DRIVE SHAFT 220-280MM	111498
	1.75	2	QUICK RELEASE OAD CAMBER DRIVE SHAFT 220-280MM	~111498
	0.75	4	QUICK RELEASE OAD CAMBER DRIVE SHAFT 220-280MM	111498
	1	4	QUICK RELEASE OAD CAMBER DRIVE SHAFT 220-280MM	~111498
1.25	4	QUICK RELEASE OAD CAMBER DRIVE SHAFT 270-330MM	~111499	
SEAT WIDTH 14"	1, 1.25	0	QUICK RELEASE OAD ZERO CAMBER DRIVE SHAFT 177-255MM	111503
	1.5	0	QUICK RELEASE OAD ZERO CAMBER DRIVE SHAFT 225-295MM	111504
	1.75	0	QUICK RELEASE OAD ZERO CAMBER DRIVE SHAFT 225-295MM	~111504
	.75, 1, 1.25	2	QUICK RELEASE OAD CAMBER DRIVE SHAFT 220-280MM	111498
	1.5	2	QUICK RELEASE OAD CAMBER DRIVE SHAFT 270-330MM	#111499
	1.75	2	QUICK RELEASE OAD CAMBER DRIVE SHAFT 270-330MM	~111499
	0.75	4	QUICK RELEASE OAD CAMBER DRIVE SHAFT 270-330MM	#111499
1	4	QUICK RELEASE OAD CAMBER DRIVE SHAFT 270-330MM	~111499	
1.25	4	QUICK RELEASE OAD CAMBER DRIVE SHAFT 270-330MM	~111499	
SEAT WIDTH 15"	1, 1.25, 1.5	0	QUICK RELEASE OAD ZERO CAMBER DRIVE SHAFT 225-295MM	111504
	1.75	0	QUICK RELEASE OAD ZERO CAMBER DRIVE SHAFT 260-370MM	~111505
	0.75	2	QUICK RELEASE OAD CAMBER DRIVE SHAFT 220-280MM	111498
	1	2	QUICK RELEASE OAD CAMBER DRIVE SHAFT 270-330MM	#111499
	1.25, 1.5	2	QUICK RELEASE OAD CAMBER DRIVE SHAFT 270-330MM	111499
	1.75	2	QUICK RELEASE OAD CAMBER DRIVE SHAFT 295-370MM	~111500
	0.75	4	QUICK RELEASE OAD CAMBER DRIVE SHAFT 270-330MM	111499
1	4	QUICK RELEASE OAD CAMBER DRIVE SHAFT 295-370MM	~111500	
1.25	4	QUICK RELEASE OAD CAMBER DRIVE SHAFT 295-370MM	~111500	

Rogue No-Go Configurations			
Wheel Size	Camber	Wheel Spacing	Rear Seat Height
24	0	1	14.5
24	0	1	15
24	0	1	15.5
22	0	1	14.5
22	0	1	15
22	0	1	15.5
20	0	1	12.5
20	0	1	13

Seat width less than 16" + any rear wheel camber + any 5th wheel = N/A with QR OAD

#For this configuration, one wheel must be removed before the driveshaft can be installed. The second wheel can be installed
 ~For this configuration, tower assemblies are to be mounted outboard of the frame.
 NOTE: Tower assemblies must be mounted outboard of the frame when offset frames are used.
 NOTE: 1.25" minimum wheel spacing is required when side guards are used.

DRIVE SHAFT LENGTH BY CONFIGURATION				
ROGUE SEAT WIDTH	WHEEL SPACING	CAMBER	DESCRIPTION	PART NUMBER
SEAT WIDTH 16"	1	0	QUICK RELEASE OAD ZERO CAMBER DRIVE SHAFT 225-295MM	111504
	1.25, 1.5	0	QUICK RELEASE OAD ZERO CAMBER DRIVE SHAFT 260-370MM	111505
	1.75	0	QUICK RELEASE OAD ZERO CAMBER DRIVE SHAFT 260-370MM	~111505
	.75, 1	2	QUICK RELEASE OAD CAMBER DRIVE SHAFT 270-330MM	111499
	1.25, 1.5	2	QUICK RELEASE OAD CAMBER DRIVE SHAFT 295-370MM	111500
	1.75	2	QUICK RELEASE OAD CAMBER DRIVE SHAFT 295-370MM	~111500
	0.75	4	QUICK RELEASE OAD CAMBER DRIVE SHAFT 295-370MM	111500
	1	4	QUICK RELEASE OAD CAMBER DRIVE SHAFT 295-370MM	~111500
	1.25	4	QUICK RELEASE OAD CAMBER DRIVE SHAFT 295-370MM	~111500
SEAT WIDTH 17"	1, 1.25, 1.5	0	QUICK RELEASE OAD ZERO CAMBER DRIVE SHAFT 260-370MM	111505
	1.75	0	QUICK RELEASE OAD ZERO CAMBER DRIVE SHAFT 330-440MM	~111506
	.75, 1, 1.25, 1.5	2	QUICK RELEASE OAD CAMBER DRIVE SHAFT 295-370MM	111500
	1.75	2	QUICK RELEASE OAD CAMBER DRIVE SHAFT 350-460MM	~111501
	0.75	4	QUICK RELEASE OAD CAMBER DRIVE SHAFT 295-370MM	111500
	1	4	QUICK RELEASE OAD CAMBER DRIVE SHAFT 350-460MM	~111501
	1.25	4	QUICK RELEASE OAD CAMBER DRIVE SHAFT 350-460MM	~111501
SEAT WIDTH 18"	1, 1.25	0	QUICK RELEASE OAD ZERO CAMBER DRIVE SHAFT 260-370MM	111505
	1.5	0	QUICK RELEASE OAD ZERO CAMBER DRIVE SHAFT 330-440MM	111506
	1.75	0	QUICK RELEASE OAD ZERO CAMBER DRIVE SHAFT 330-440MM	~111506
	.75, 1	2	QUICK RELEASE OAD CAMBER DRIVE SHAFT 295-370MM	111500
	1.25, 1.5	2	QUICK RELEASE OAD CAMBER DRIVE SHAFT 350-460MM	111501
	1.75	2	QUICK RELEASE OAD CAMBER DRIVE SHAFT 350-460MM	~111501
	0.75	4	QUICK RELEASE OAD CAMBER DRIVE SHAFT 295-370MM	111500
	1	4	QUICK RELEASE OAD CAMBER DRIVE SHAFT 350-460MM	~111501
	1.25	4	QUICK RELEASE OAD CAMBER DRIVE SHAFT 350-460MM	~111501
SEAT WIDTH 19"	1, 1.25, 1.5	0	QUICK RELEASE OAD ZERO CAMBER DRIVE SHAFT 330-440MM	111506
	1.75	0	QUICK RELEASE OAD ZERO CAMBER DRIVE SHAFT 330-440MM	~111506
	0.75	2	QUICK RELEASE OAD CAMBER DRIVE SHAFT 220-280MM	111498
	1	2	QUICK RELEASE OAD CAMBER DRIVE SHAFT 270-330MM	111499
	1.25	2	QUICK RELEASE OAD CAMBER DRIVE SHAFT 295-370MM	111500
	1.5	2	QUICK RELEASE OAD CAMBER DRIVE SHAFT 350-460MM	111501
	1.75	2	QUICK RELEASE OAD CAMBER DRIVE SHAFT 350-460MM	~111501
	0.75	4	QUICK RELEASE OAD CAMBER DRIVE SHAFT 350-460MM	111501
	1	4	QUICK RELEASE OAD CAMBER DRIVE SHAFT 350-460MM	~111501
	1.25	4	QUICK RELEASE OAD CAMBER DRIVE SHAFT 350-460MM	~111501
SEAT WIDTH 20"	1, 1.25, 1.5	0	QUICK RELEASE OAD ZERO CAMBER DRIVE SHAFT 330-440MM	111506
	1.75	0	QUICK RELEASE OAD ZERO CAMBER DRIVE SHAFT 421-491MM	~111507
	0.75, 1, 1.25, 1.5	2	QUICK RELEASE OAD CAMBER DRIVE SHAFT 350-460MM	111501
	1.75	2	QUICK RELEASE OAD CAMBER DRIVE SHAFT 420-530MM	~111502
	0.75	4	QUICK RELEASE OAD CAMBER DRIVE SHAFT 350-460MM	111501
	1	4	QUICK RELEASE OAD CAMBER DRIVE SHAFT 420-530MM	~111502
	1.25	4	QUICK RELEASE OAD CAMBER DRIVE SHAFT 420-530MM	~111502

#For this configuration, one wheel must be removed before the driveshaft can be installed. The second wheel can be installed once

~For this configuration, tower assemblies are to be mounted outboard of the frame.

NOTE: Tower assemblies must be mounted outboard of the frame when offset frames are used.

NOTE: 1.25" minimum wheel spacing is required when side guards are used.

DRIVE SHAFT CONFIGURATIONS FOR ROGUE WITH T-ARMS				
ROGUE SEAT WIDTH	WHEEL SPACING	CAMBER	DESCRIPTION	PART NUMBER
SEAT WIDTH 11"	1.75	0	QUICK RELEASE OAD ZERO CAMBER DRIVE SHAFT 177-255MM	111503
	1.75	2	QUICK RELEASE OAD CAMBER DRIVE SHAFT 195-235MM	111628
SEAT WIDTH 12"	1.75	0	QUICK RELEASE OAD ZERO CAMBER DRIVE SHAFT 177-255MM	111503
	1.75	2	QUICK RELEASE OAD CAMBER DRIVE SHAFT 220-280MM	111498
SEAT WIDTH 13"	1.75	0	QUICK RELEASE OAD ZERO CAMBER DRIVE SHAFT 225-295MM	111504
	1.75	2	QUICK RELEASE OAD CAMBER DRIVE SHAFT 220-280MM	111498
SEAT WIDTH 14"	1.75	0	QUICK RELEASE OAD ZERO CAMBER DRIVE SHAFT 225-295MM	111504
	1.75	2	QUICK RELEASE OAD CAMBER DRIVE SHAFT 270-330MM	111499
SEAT WIDTH 15"	1.75	0	QUICK RELEASE OAD ZERO CAMBER DRIVE SHAFT 260-370MM	111505
	1.75	2	QUICK RELEASE OAD CAMBER DRIVE SHAFT 295-370MM	111500
SEAT WIDTH 16"	1.75	0	QUICK RELEASE OAD ZERO CAMBER DRIVE SHAFT 260-370MM	111505
	1.75	2	QUICK RELEASE OAD CAMBER DRIVE SHAFT 295-370MM	111500
SEAT WIDTH 17"	1.75	0	QUICK RELEASE OAD ZERO CAMBER DRIVE SHAFT 330-440MM	111506
	1.75	2	QUICK RELEASE OAD CAMBER DRIVE SHAFT 350-460MM	111501
SEAT WIDTH 18"	1.75	0	QUICK RELEASE OAD ZERO CAMBER DRIVE SHAFT 330-440MM	111506
	1.75	2	QUICK RELEASE OAD CAMBER DRIVE SHAFT 350-460MM	111501
SEAT WIDTH 19"	1.75	0	QUICK RELEASE OAD ZERO CAMBER DRIVE SHAFT 330-440MM	111506
	1.75	2	QUICK RELEASE OAD CAMBER DRIVE SHAFT 350-460MM	111501
SEAT WIDTH 20"	1.75	0	QUICK RELEASE OAD ZERO CAMBER DRIVE SHAFT 421-491MM	111507
	1.75	2	QUICK RELEASE OAD CAMBER DRIVE SHAFT 420-530MM	111502

NOTE: TOWER ASSEMBLIES ARE TO BE MOUNTED OUTBOARD OF THE FRAME WHEN T-ARMS ARE USED.

Color Anodizing Samples

