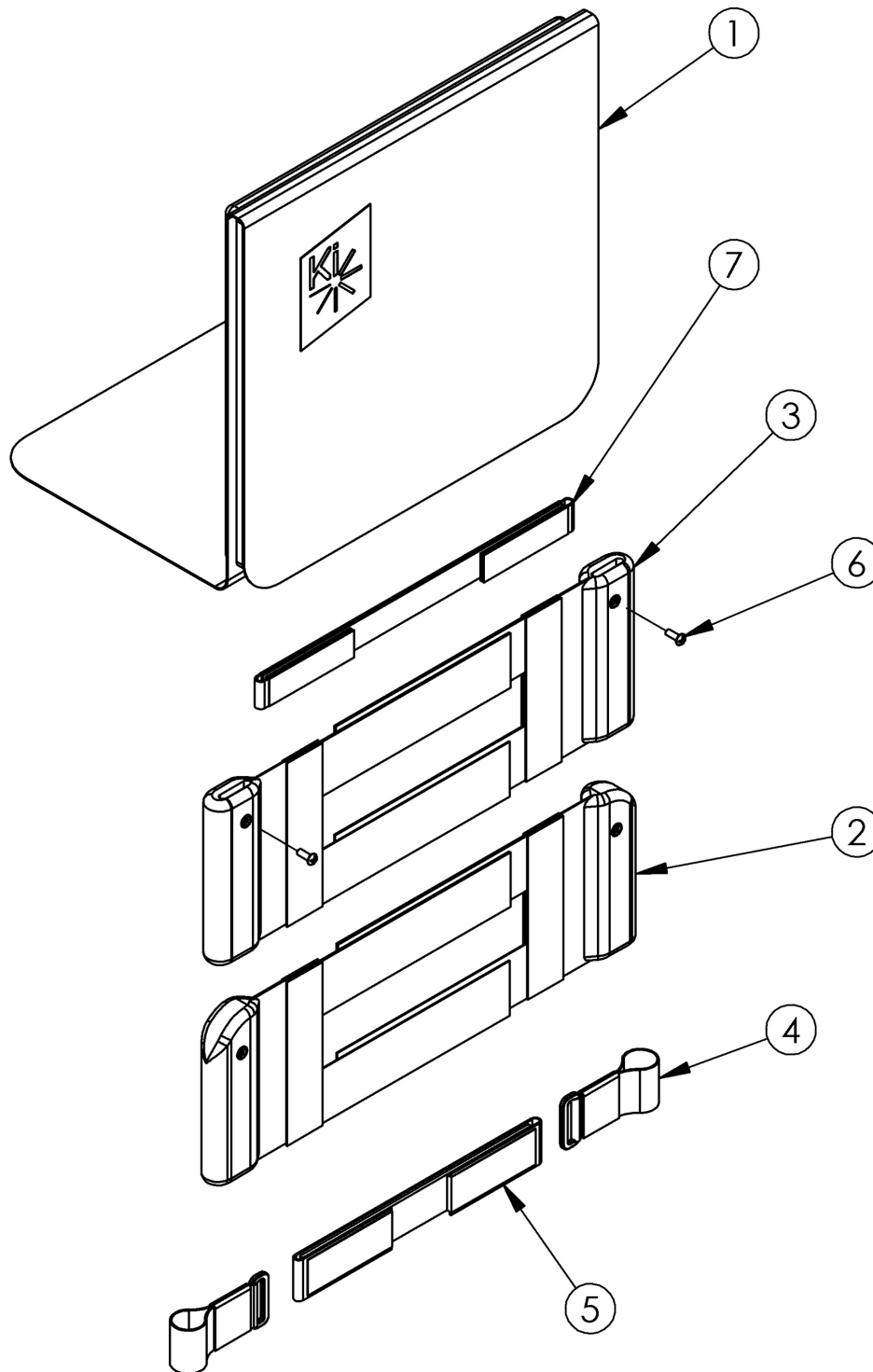


Discontinued 2 Rigid Padded Velcro Adjustable Back Upholstery



Open Back Wings (3a - 3l) are used when integrated push handles are present. Closed Back Wings (2a - 2l) are used when back posts without push handles are present. Tension Straps (7a - 7d) are used with the combination of Fold Down Push Handle and Padded Velcro Adjustable Back Upholstery and are based on chair width.

Item Number	Part Number	Description	Quantity
1a, 4, 5a	504677	Backrest Cover with One Strap 10W Rigid, 11-14H <i>Contains 002486 cover</i>	1
1b, 4, 5a	504678	Backrest Cover with One Strap 10W Rigid, 13-16H <i>Contains 002487 cover</i>	1
1c, 4, 5a	504679	Backrest Cover with One Strap 10W Rigid, 13-16H <i>Contains 002488 cover</i>	1
1d, 4, 5b	504680	Backrest Cover with One Strap 11W Rigid, 11-14H <i>Contains 002490 cover</i>	1
1e, 4, 5b	504681	Backrest Cover with One Strap 11W Rigid, 13-16H <i>Contains 002491 cover</i>	1
1f, 4, 5b	504682	Backrest Cover with One Strap 11W Rigid, 15-18H <i>Contains 002492 cover</i>	1
1g, 4, 5c	504683	Backrest Cover with One Strap 12W Rigid, 11-14H <i>Contains 002494 cover</i>	1
1h, 4, 5c	504684	Backrest Cover with One Strap 12W Rigid, 13-16H <i>Contains 002495 cover</i>	1
1i, 4, 5c	504685	Backrest Cover with One Strap 12W Rigid, 15-20H <i>Contains 002496 cover</i>	1
1j, 4, 5d	504686	Backrest Cover with One Strap 13W Rigid, 11-14H <i>Contains 002498 cover</i>	1
1k, 4, 5d	504687	Backrest Cover with One Strap 13W Rigid, 13-16H <i>Contains 002499 cover</i>	1
1l, 4, 5d	504688	Backrest Cover with One Strap 13W Rigid, 15-18H <i>Contains 002500 cover</i>	1
1m, 4, 5d	504689	Backrest Cover with One Strap 13W Rigid, 17-20H <i>Contains 003043 cover</i>	1
1n, 4, 5e	504690	Backrest Cover with One Strap 14W Rigid, 11-14H <i>Contains 002502 cover</i>	1
1o, 4, 5e	504691	Backrest Cover with One Strap 14W Rigid, 13-16H <i>Contains 002503 cover</i>	1
1p, 4, 5e	504692	Backrest Cover with One Strap 14W Rigid, 15-18H <i>Contains 002504 cover</i>	1
1q, 4, 5e	504693	Backrest Cover with One Strap 14W Rigid, 17-20H	1

Item Number	Part Number	Description	Quantity
		<i>Contains 003044 cover</i>	
1r, 4, 5f	504694	Backrest Cover with One Strap 15W Rigid, 11-14H <i>Contains 002506 cover</i>	1
1s, 4, 5f	504695	Backrest Cover with One Strap 15W Rigid, 13-16H <i>Contains 002507 cover</i>	1
1t, 4, 5f	504696	Backrest Cover with One Strap 15W Rigid, 15-18H <i>Contains 002508 cover</i>	1
1u, 4, 5f	504697	Backrest Cover with One Strap 15W Rigid, 17-20H <i>Contains 003045 cover</i>	1
1v, 4, 5g	504698	Backrest Cover with One Strap 16W Rigid, 11-14H <i>Contains 002510 cover</i>	1
1w, 4, 5g	504699	Backrest Cover with One Strap 16W Rigid, 13-16H <i>Contains 002511 cover</i>	1
1x, 4, 5g	504700	Backrest Cover with One Strap 16W Rigid, 15-18H <i>Contains 002512 cover</i>	1
1y, 4, 5g	504701	Backrest Cover with One Strap 16W Rigid, 17-20H <i>Contains 003046 cover</i>	1
1z, 4, 5h	504702	Backrest Cover with One Strap 17W Rigid, 11-14H <i>Contains 003049 cover</i>	1
1aa, 4, 5h	504703	Backrest Cover with One Strap 17W Rigid, 13-16H <i>Contains 003050 cover</i>	1
1ab, 4, 5h	504704	Backrest Cover with One Strap 17W Rigid, 15-18H <i>Contains 003051 cover</i>	1
1ac, 4, 5h	504705	Backrest Cover with One Strap 17W Rigid, 17-20H <i>Contains 003052 cover</i>	1
1ad, 4, 5i	504706	Backrest Cover with One Strap 18W Rigid, 11-14H <i>Contains 003055 cover</i>	1
1ae, 4, 5i	504707	Backrest Cover with One Strap 18W Rigid, 13-16H <i>Contains 003056 cover</i>	1
1af, 4, 5i	504708	Backrest Cover with One Strap 18W Rigid, 15-18H <i>Contains 003057 cover</i>	1
1ag, 4, 5i	504709	Backrest Cover with One Strap 18W Rigid, 17-20H <i>Contains 003058 cover</i>	1
1ah, 4, 5j	504710	Backrest Cover with One Strap 19W Rigid, 11-14H <i>Contains 003061 cover</i>	1
1ai, 4, 5j	504711	Backrest Cover with One Strap 19W Rigid, 13-16H	1

Item Number	Part Number	Description	Quantity
		<i>Contains 003062 cover</i>	
1aj, 4, 5j	504712	Backrest Cover with One Strap 19W Rigid, 15-18H <i>Contains 003063 cover</i>	1
1ak, 4, 5j	504713	Backrest Cover with One Strap 19W Rigid, 17-20H <i>Contains 003064 cover</i>	1
1al, 4, 5k	504714	Backrest Cover with One Strap 20W Rigid, 11-14H <i>Contains 003067 cover</i>	1
1am, 4, 5k	504715	Backrest Cover with One Strap 20W Rigid, 13-16H <i>Contains 003068 cover</i>	1
1an, 4, 5k	504716	Backrest Cover with One Strap 20W Rigid, 15-18H <i>Contains 003069 cover</i>	1
1ao, 4, 5k	504717	Backrest Cover with One Strap 20W Rigid, 17-20H <i>Contains 003070 cover</i>	1
1ap, 4, 5l	504718	Backrest Cover with One Strap 21W Rigid, 13-16H <i>Contains 003072 cover</i>	1
1aq, 4, 5l	504719	Backrest Cover with One Strap 21W Rigid, 15-18H <i>Contains 003073 cover</i>	1
1ar, 4, 5l	504720	Backrest Cover with One Strap 21W Rigid, 17-20H <i>Contains 003074 cover</i>	1
1as, 4, 5m	504721	Backrest Cover with One Strap 22W Rigid, 13-16H <i>Contains 003076 cover</i>	1
1at, 4, 5m	504722	Backrest Cover with One Strap 22W Rigid, 15-18H <i>Contains 003077 cover</i>	1
1au, 4, 5m	504723	Backrest Cover with One Strap 22W Rigid, 17-20H <i>Contains 003078 cover</i>	1
4	100973	Back Upholstery D-Ring	2
5a	003483	Back Upholstery Strap 7.3" <i>Used on 10" chair widths. Replacement for 101167.</i>	1
5b	003484	Back Upholstery Strap 9.3" <i>Used on 11" chair widths. Replacement for 100770.</i>	1
5c	003485	Back Upholstery Strap 11.3" <i>Used on 12" chair widths. Replacement for 100770.</i>	1
5d	003486	Back Upholstery Strap 13.3" <i>Used on 13" chair widths. Replacement for 100771.</i>	1
5e	003487	Back Upholstery Strap 15.3" <i>Used on 14" chair widths. Replacement for 100771.</i>	1

Item Number	Part Number	Description	Quantity
5f	002532	Back Upholstery Strap 17.3" <i>Used on 15" chair widths. Replacement for 100771.</i>	1
5g	002533	Back Upholstery Strap 19.3" <i>Used on 16" chair widths. Replacement for 100772.</i>	1
5h	002534	Back Upholstery Strap 21.3" <i>Used on 17" chair widths. Replacement for 100772.</i>	1
5i	002535	Back Upholstery Strap 23.3" <i>Used on 18" chair widths. Replacement for 100773.</i>	1
5j	002536	Back Upholstery Strap 25.3" <i>Used on 19" chair widths. Replacement for 100773.</i>	1
5k	002537	Back Upholstery Strap 27.3" <i>Used on 20" chair widths. Replacement for 100839.</i>	1
5l	002538	Back Upholstery Strap 29.3" <i>Used on 21" chair widths. Replacement for 100839.</i>	1
5m	002539	Back Upholstery Strap 31.3" <i>Used on 22" chair widths. Replacement for 100839.</i>	1
6	100734	M5 x 16 PHMS ZC	2
7a	001750	Tension Strap Folding Handle 14-15 Wide	1
7b	001751	Tension Strap Folding Handle 16-17 Wide	1
7c	001752	Tension Strap Folding Handle 18-19 Wide	1
7d	001753	Tension Strap Folding Handle 20-22 Wide	1