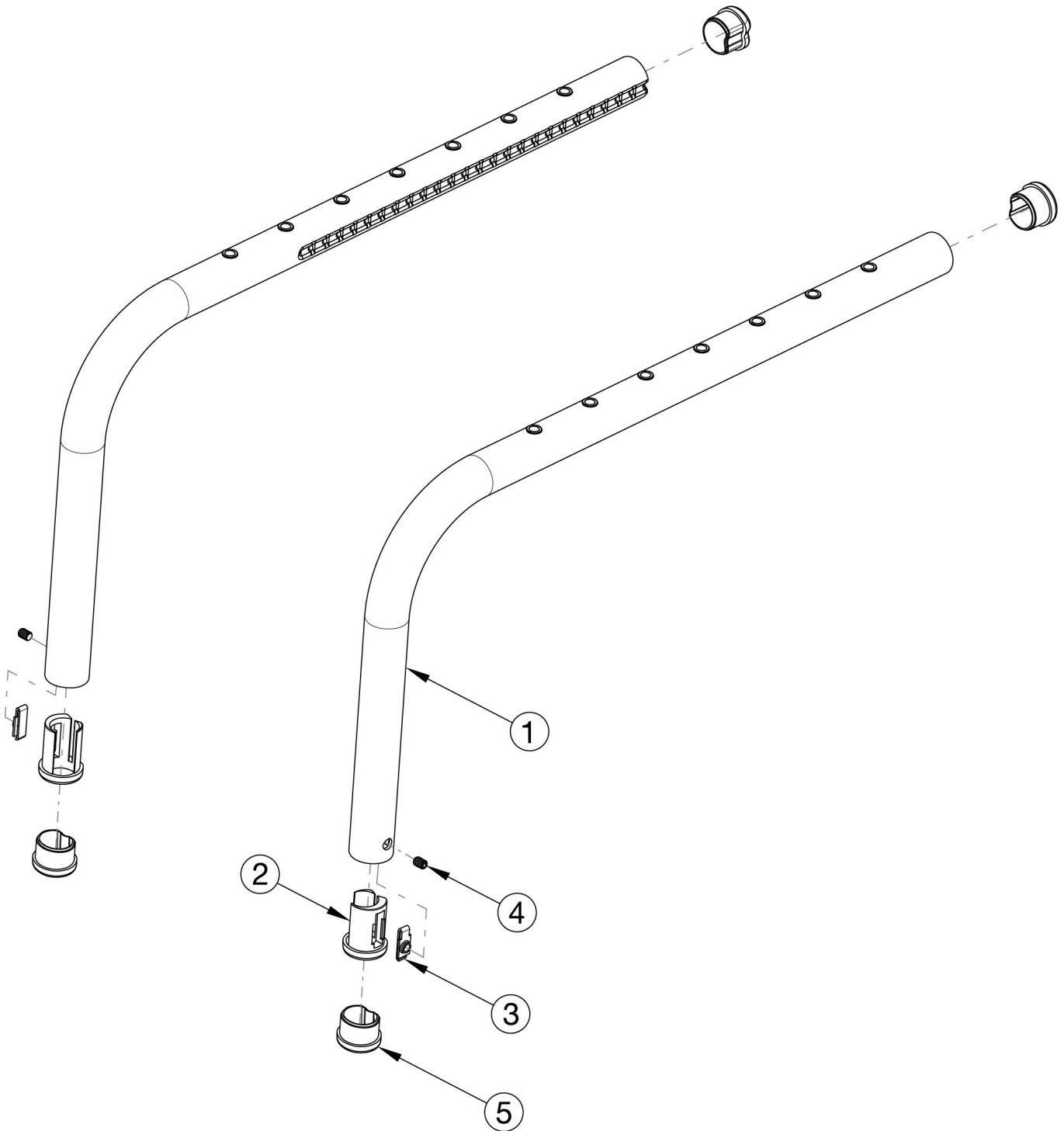


Clik Side Frame



This design effective starting with serial numbers CLK005270. Drilled Clik Side Frames effective April 13, 2018. Replacement side frames may be quoted, but must be ordered through Customer Service. Serial number required upon order. Item numbers 2-4 are only needed when footrest is not high mounted and these parts are included with replacement side frames if footrest is not high mounted.

Item Number	Part Number	Description	Quantity
1a, 5	RFCLLS	Replacement Little Wave Klik Side Frame Left	1
1b, 5	RFCLRS	Replacement Little Wave Klik Side Frame Right	1
1a, 1b, 5	RFCLPR	Replacement Little Wave Klik Side Frame PAIR	1
1c, 5	RFCLGITLS	Replacement Little Wave Klik Side Frame w/ Graphic Image Transfer Left	1
1d, 5	RFCLGITRS	Replacement Little Wave Klik Side Frame w/ Graphic Image Transfer Right	1
1c, 1d, 5	RFCLGITPR	Replacement Little Wave Klik Side Frame w/ Graphic Image Transfer PAIR	1
2-4	506824	Frame Inserted Footrest Hardware Kit, Pair, Klik	1
2a	002797	Footrest Insert Right	1
2b	002799	Footrest Insert Left	1
3	002798	Footrest Screw Plate	2
4	102090	M6 Set Screw Flat Point	2
5	002791	Seat Tube End Cap <i>Use quantity 4 with high-mounted footrests</i>	2