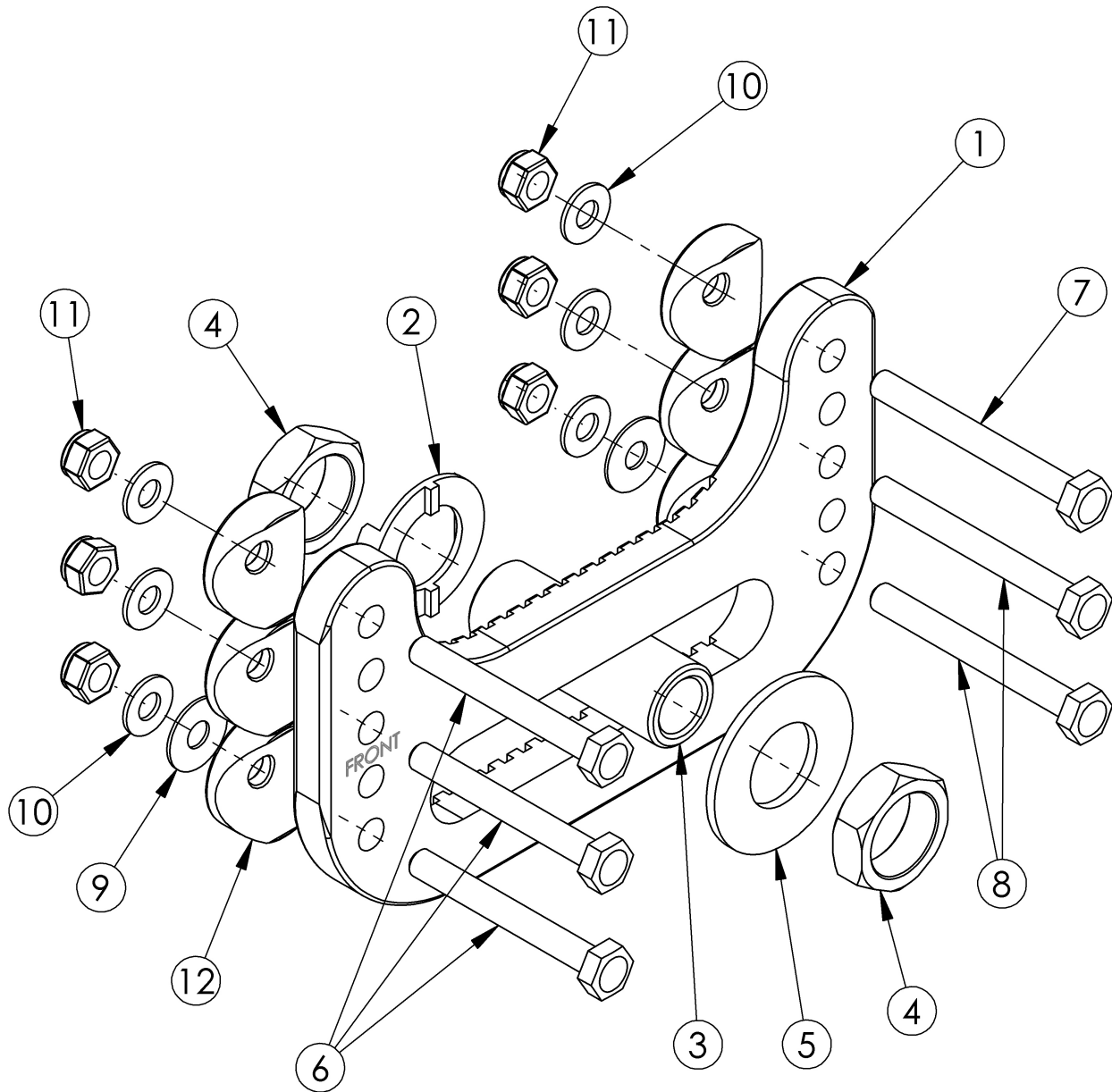


(Discontinued) Catalyst 5 Curved Axle Plate



Number of washers (Item 9) per bottom screw	Degrees of Camber
3 (6 total)	2°
5 (10 total)	4°

Item Number	Part Number	Description	Quantity	Retail
6a, 7b, 8b, 10, 11	503275	Axle Plate Hardware Kit Cat 5 for Anti Tips (Pair)	1	\$56.73
6a, 7c, 8c, 8d, 10, 11, 12	503276	Axle Plate Hardware Kit Cat 5 for Anti Tips and Transit and Swing Away Arms (Pair)	1	\$72.49
6b, 7a, 7b, 10, 11	503278	Axle Plate Hardware Kit Cat 5 Depth Adj or Spark for Anti Tips (Pair)	1	\$56.73
6b, 7b, 7c, 8c, 10, 11	503279	Axle Plate Hardware Kit Cat 5 Depth Adj or Spark for Anti Tips and Transit	1	\$59.88
2 - 5	500504	Axle Receiver Assembly 1/2"	1	\$30.52
2	004444	Axle Plate Index Washer <i>Replaced 000051 and 004678</i>	1	\$8.22
3	100756	Axle Receiver 1/2"	1	\$17.68
4	100514	Axle Receiver Nut M18 x D12 x 8mm	2	\$1.54
5	004445	Axle Plate Flat Washer <i>Replaced 000465</i>	1	\$1.86
6a	101826	M6 x 50 HHCS Blk Zn <i>Used with Curved Rear Frames</i>	3	\$2.10
6b	100674	M6 x 45 CLS10.9 DIN931 HHCS ZC <i>Used with Depth Adjustable and Spark Rear Frames</i>	3	\$1.58
7a	101826	M6 x 50 HHCS Blk Zn <i>Used with Axle Plate Only on Curved Rear Frames</i>	1	\$2.10
7b	100676	M6 x 55 CLS10.9 DIN931 HHCS ZC <i>Used with Anti-Tip or Transit or Swing Away Arm Bracket</i>	1	\$1.58
7c	100677	M6 x 60 CLS10.9 DIN931 HHCS ZC <i>Used with Anti-Tip and Transit or Swing Away Arm Bracket</i>	1	\$1.58
8a	101826	M6 x 50 HHCS Blk Zn <i>Used with Axle Plate Only</i>	2	\$2.10
8b	100677	M6 x 60 CLS10.9 DIN931 HHCS ZC <i>Used with Anti-Tip or Transit or Swing Away Arm Bracket</i>	2	\$1.58
8c	100679	M6 x 65 CLS 8.8 DIN931 HHCS ZC <i>Used with Anti-Tip and Transit or Swing Away Arm Bracket</i>	2	\$1.58
8d	100680	M6 x 70 CLS 8.8 DIN931 HHCS ZC <i>Used with Anti-Tip and Transit and Swing Away Arm Bracket</i>	2	\$1.58
9	100763	Washer #12 Thin	10	\$1.54
10	100746	M6 Flat Washer Blk Zn	6	\$1.58
11	100658	M6 Nylock Nut Blk Zn	6	\$1.05

Item Number	Part Number	Description	Quantity	Retail
12	000056	Saddle 1 1/8" <i>Used with Transit or Swing Away Arm Bracket</i>	6	\$1.58

Wheel Size / Tire Profile / Rear Seat Height

Select Rear Seat Height in row corresponding to Wheel Size and Tire Profile. 14" Seat Depth not available with 24", 25" or 26" Rear Wheels.

Requires curved axle plate Any axle plate can be used (Curved, Standard, Amputee, One Arm Drive)

Wheel Size	Tire Profile	Rear Seat Height									
20"	Low	<input type="radio"/> 11.5	<input type="checkbox"/> 12 ¹	<input type="radio"/> 12.5	<input type="checkbox"/> 13 ¹	<input type="radio"/> 13.5	<input type="checkbox"/> 14	<input type="radio"/> 14.5	<input type="checkbox"/> 15	<input type="radio"/> 15.5	<input type="radio"/> 16
	Full	<input type="radio"/> 12	<input type="checkbox"/> 12.5 ¹	<input type="radio"/> 13	<input type="checkbox"/> 13.5 ¹	<input type="radio"/> 14	<input type="checkbox"/> 14.5	<input type="radio"/> 15	<input type="checkbox"/> 15.5	<input type="radio"/> 16	<input type="radio"/> 16.5
22"	Low	<input type="radio"/> 12.5	<input type="checkbox"/> 13 ¹	<input type="radio"/> 13.5	<input type="checkbox"/> 14 ¹	<input type="radio"/> 14.5	<input type="checkbox"/> 15	<input type="radio"/> 15.5	<input type="checkbox"/> 16	<input type="radio"/> 16.5	<input type="radio"/> 17
	Full	<input type="radio"/> 13	<input type="checkbox"/> 13.5 ¹	<input type="radio"/> 14	<input type="checkbox"/> 14.5 ¹	<input type="radio"/> 15	<input type="checkbox"/> 15.5	<input type="radio"/> 16	<input type="checkbox"/> 16.5	<input type="radio"/> 17	<input type="radio"/> 17.5
24"	Low	<input type="radio"/> 13.5	<input type="checkbox"/> 14 ¹	<input type="radio"/> 14.5	<input type="checkbox"/> 15 ¹	<input type="radio"/> 15.5	<input type="checkbox"/> 16	<input type="radio"/> 16.5	<input type="checkbox"/> 17	<input type="radio"/> 17.5	<input type="radio"/> 18
	Full	<input type="radio"/> 14	<input type="checkbox"/> 14.5 ¹	<input type="radio"/> 15	<input type="checkbox"/> 15.5 ¹	<input type="radio"/> 16	<input type="checkbox"/> 16.5	<input type="radio"/> 17	<input type="checkbox"/> 17.5	<input type="radio"/> 18	<input type="radio"/> 18.5
25"	Low	<input type="radio"/> 14	<input type="checkbox"/> 14.5 ¹	<input type="radio"/> 15	<input type="checkbox"/> 15.5 ¹	<input type="radio"/> 16	<input type="checkbox"/> 16.5	<input type="radio"/> 17	<input type="checkbox"/> 17.5	<input type="radio"/> 18	<input type="radio"/> 18.5
26"	Low	<input type="radio"/> 14.5	<input type="checkbox"/> 15 ¹	<input type="radio"/> 15.5	<input type="checkbox"/> 16 ¹	<input type="radio"/> 16.5	<input type="checkbox"/> 17	<input type="radio"/> 17.5	<input type="checkbox"/> 18	<input type="radio"/> 18.5	<input type="radio"/> 19
	Full	<input type="radio"/> 15	<input type="checkbox"/> 15.5 ¹	<input type="radio"/> 16	<input type="checkbox"/> 16.5 ¹	<input type="radio"/> 17	<input type="checkbox"/> 17.5	<input type="radio"/> 18	<input type="checkbox"/> 18.5	<input type="radio"/> 19	<input type="radio"/> 19.5

¹ Not available with Amputee Axle Plate