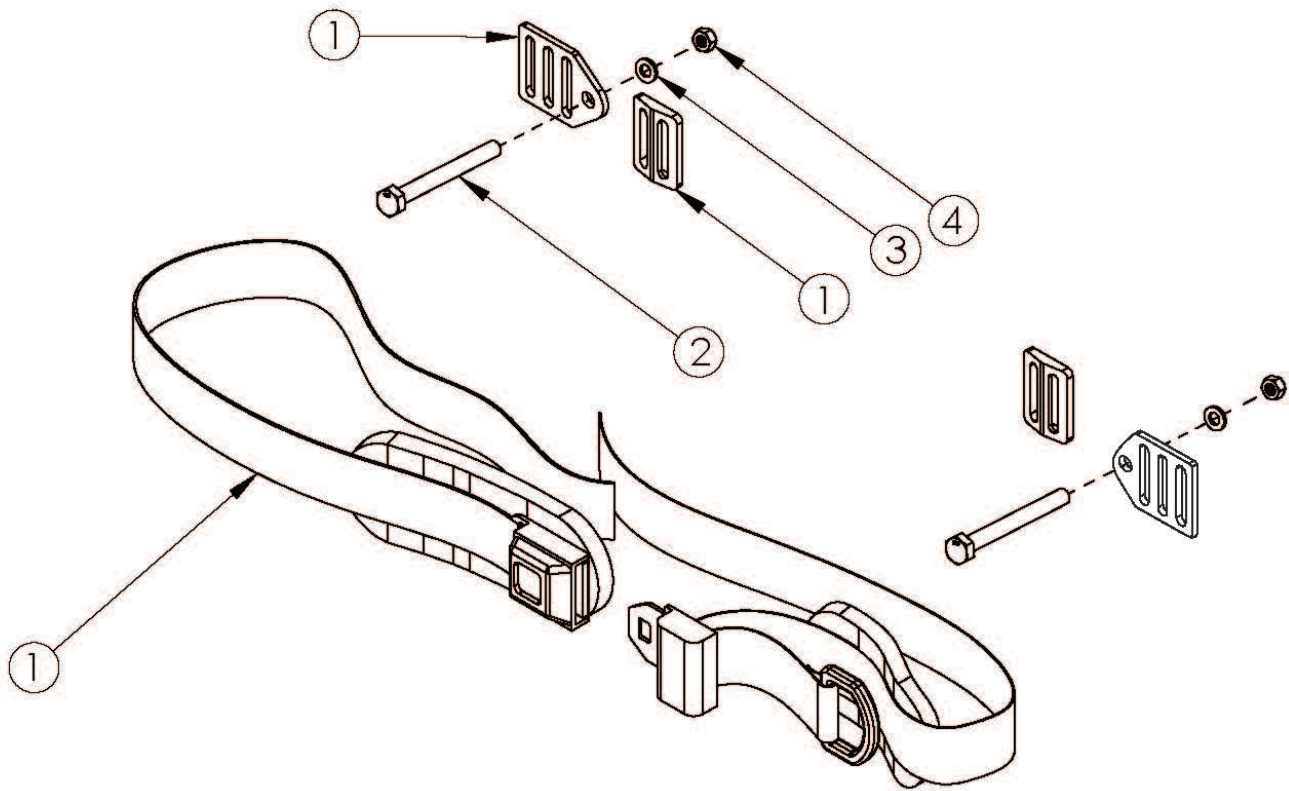


1" Padded Auto Buckle Pelvic Positioning Belt



| Item Number | Part Number | Description | Quantity |
|-------------|-------------|---|----------|
| 1, 2a, 3, 4 | 111215 | Belt Pelvic Positioning 1" Auto Buckle Padded 53", Catalyst/Spark | 1 |
| 1, 2b, 3, 4 | 111216 | Belt Pelvic Positioning 1" Auto Buckle Padded 53", Focus | 1 |
| 1, 2c, 3, 4 | 111217 | Belt Pelvic Positioning 1" Auto Buckle Padded 53", RG ALX/Rogue/LW XP | 1 |
| 1, 2d, 3, 4 | 111218 | Belt Pelvic Positioning 1" Auto Buckle Padded 53", Clik/Ethos | 1 |
| 1, 2e, 3, 4 | 111219 | Belt Pelvic Positioning 1" Auto Buckle Padded 53", Flip/Liberty | 1 |
| 1 | 100613 | Belt Pelvic Positioning 1" Auto Buckle Padded 53" | 1 |
| 2a | 100681 | M6 x 40 CLS8.8 DIN931 HHCS ZC <i>Used on Catalyst and Spark</i> | 2 |
| 2b | 101125 | M6 x 55 BTN SHCS BLKZC <i>Used on Focus</i> | 2 |

| Item Number | Part Number | Description | Quantity |
|-------------|-------------|--|----------|
| 2c | 101781 | M6 x 50mm Partial Thread BHCS Blk ZC <i>Used on Tsunami, Rogue and Rogue XP</i> | 2 |
| 2d | 100670 | M6 x 45 BTN SHCS BLK ZC <i>Used on Clik and Ethos</i> | 2 |
| 2e | 101811 | M6 x 35 BHCS Blk Zn <i>Used on Flip and Liberty</i> | 2 |
| 3 | 100746 | M6 Flat Washer Blk Zn | 2 |
| 4 | 100658 | M6 Nylock Nut Blk Zn | 2 |