

Assembly and Operating Instructions

NOTE: Check ALL parts for shipping damage. In case of shipping damage, DO NOT use. Contact Carrier/Dealer for further instruction.

SAFETY SUMMARY

The following recommendations are made for the safe assembly of the Overbed Table:

WARNING

DO NOT assemble or use this equipment without first reading and understanding this instruction sheet. If you are unable to understand the Warnings, Cautions or Instructions, contact a healthcare professional, dealer or technical personnel before attempting to install this equipment - otherwise, injury or damage may occur.

After assembly and BEFORE use, ensure that ALL attaching hardware is securely tightened.

**ASSEMBLING THE OVERBED TABLE
(FIGURE 1)**

1. Position the column assembly as shown in **FIGURE 1**.

*NOTE: Ensure that the release rod inside the column assembly is visible in the lower (rectangular) portion of the column assembly as shown in **DETAIL "A"**. If necessary, shake the column assembly to allow the release rod to drop into the column assembly.*

2. Insert the release lever into the column assembly as shown in **FIGURE 1**.

NOTE: The release lever MUST be positioned with the curved side closest to the table top assembly and in between the release rod and column assembly.

3. Lay the overbed table top assembly on a flat surface with the top bracket facing UP.

4. Hold the release lever and column assembly together and install into top bracket.

5. Align holes in column assembly with holes in top bracket.

6. Install one (1) bolt through top bracket, column assembly and release lever.

7. Install remaining bolt through top bracket and column assembly.

8. Install locknuts onto bolts in **STEPS 6, 7**. Securely tighten.

9. Place the base assembly upside down on a flat surface with the mounting holes facing UP.

10. Install one (1) caster into the base assembly until it snaps into place.

11. Repeat **STEP 10** for remaining three (3) casters.

12. Install one (1) bolt through the bolt plate, base and column assembly. Hand tighten. Repeat for other side.

13. Position overbed table on its side.

NOTE: Positioning the overbed table on its side will alleviate pressure of the base on the bolts.

14. Securely tighten the two (2) bolts in **STEP 12**.

15. Position overbed table on ALL four (4) casters.

16. Remove the shipping screw from the column assembly and install the provided phillips screw.

17. Adjust the height to desired position. Refer to **ADJUSTING THE OVERBED TABLE** in this instruction sheet.

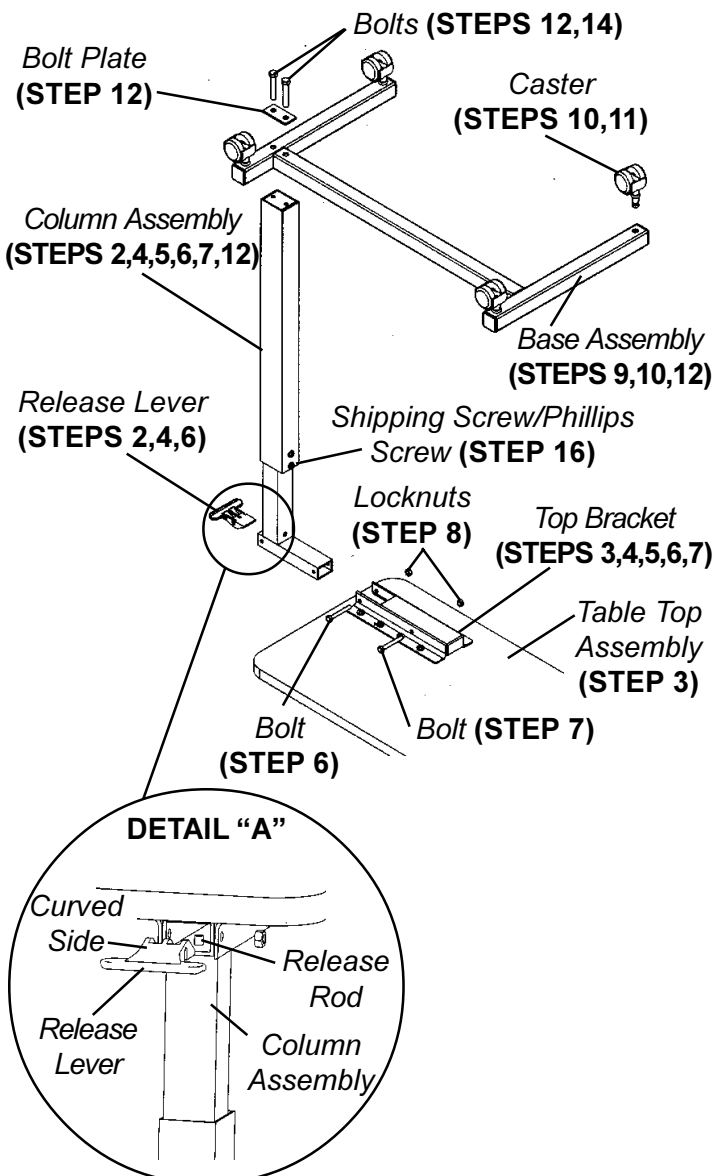


FIGURE I - ASSEMBLING THE OVERBED TABLE

ADJUSTING THE OVERBED TABLE (FIGURE 2)

1. Do one (1) of the following:
 - A. **TO RAISE** - Pull UP from the bottom of the table top assembly UP to the desired height.
 - B. **TO LOWER** - Pull UP on the release lever and adjust the table top DOWN to the desired height.

NOTE: The column will lock into place when the release lever is released.

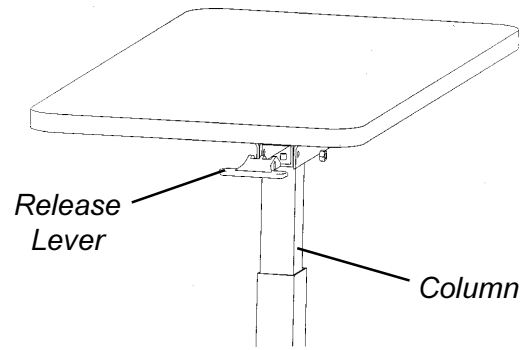


FIGURE 2-ADJUSTING THE OVERBED TABLE

LIMITED WARRANTY

PLEASE NOTE: THE WARRANTY BELOW HAS BEEN DRAFTED TO COMPLY WITH FEDERAL LAW APPLICABLE TO PRODUCTS MANUFACTURED AFTER JULY 4, 1975.

This warranty is extended only to the original purchaser/user of our products.

This warranty gives you specific legal rights and you may also have other legal rights which vary from state to state.

Invacare warrants its product to be free from defects in materials and workmanship for three (3) years for the original purchaser. If within such warranty period any such product shall be proven to be defective, such product shall be repaired or replaced, at Invacare's option. This warranty does not include any labor or shipping charges incurred in replacement part installation or repair of any such product. Invacare's sole obligation and your exclusive remedy under this warranty shall be limited to such repair and/or replacement.

For warranty service, please contact the dealer from whom you purchased your Invacare product. In the event you do not receive satisfactory warranty service, please write directly to Invacare at the address at the bottom of the page. Provide dealer's name, address, model number, date of purchase, indicate nature of the defect and, if the product is serialized, indicate the serial number.

Invacare Corporation will issue a return authorization. The defective unit or parts must be returned for warranty inspection using the serial number, when applicable, as identification within thirty (30) days of return authorization date. DO NOT return products to our factory without our prior consent. C.O.D. shipments will be refused; please prepay shipping charges.

LIMITATIONS AND EXCLUSIONS: THE WARRANTY SHALL NOT APPLY TO PROBLEMS ARISING FROM NORMAL WEAR OR FAILURE TO ADHERE TO THE ENCLOSED INSTRUCTIONS. IN ADDITION, THE FOREGOING WARRANTY SHALL NOT APPLY TO SERIAL NUMBERED PRODUCTS IF THE SERIAL NUMBER HAS BEEN REMOVED OR DEFACED; PRODUCTS SUBJECTED TO NEGLIGENCE, ACCIDENT, IMPROPER OPERATION, MAINTENANCE OR STORAGE; OR PRODUCTS MODIFIED WITHOUT INVACARE'S EXPRESS WRITTEN CONSENT INCLUDING, BUT NOT LIMITED TO: MODIFICATION THROUGH THE USE OF UNAUTHORIZED PARTS OR ATTACHMENTS; PRODUCTS DAMAGED BY REASON OF REPAIRS MADE TO ANY COMPONENT WITHOUT THE SPECIFIC CONSENT OF INVACARE; PRODUCTS DAMAGED BY CIRCUMSTANCES BEYOND INVACARE'S CONTROL; PRODUCTS REPAIRED BY ANYONE OTHER THAN AN AUTHORIZED INVACARE DEALER, SUCH EVALUATION SHALL BE SOLELY DETERMINED BY INVACARE.

THE FOREGOING WARRANTY IS EXCLUSIVE AND IN LIEU OF ALL OTHER EXPRESS WARRANTIES, IF ANY, INCLUDING THE IMPLIED WARRANTIES OF MERCHANTABILITY AND FITNESS FOR A PARTICULAR PURPOSE.

IT SHALL NOT EXTEND BEYOND THE DURATION OF THE EXPRESSED WARRANTY PROVIDED HEREIN AND THE REMEDY FOR VIOLATIONS OF ANY IMPLIED WARRANTY SHALL BE LIMITED TO REPAIR OR REPLACEMENT OF THE DEFECTIVE PRODUCT PURSUANT TO THE TERMS CONTAINED HEREIN. INVACARE SHALL NOT BE LIABLE FOR ANY CONSEQUENTIAL OR INCIDENTAL DAMAGES WHATSOEVER.

THIS WARRANTY SHALL BE EXTENDED TO COMPLY WITH STATE/PROVINCIAL LAWS AND REQUIREMENTS.

INVACARE CORPORATION 1 ONE INVACARE WAY 1 Elyria, Ohio 44036
Customer Service (800) 333-6900 1 Technical Support (800) 832-4707