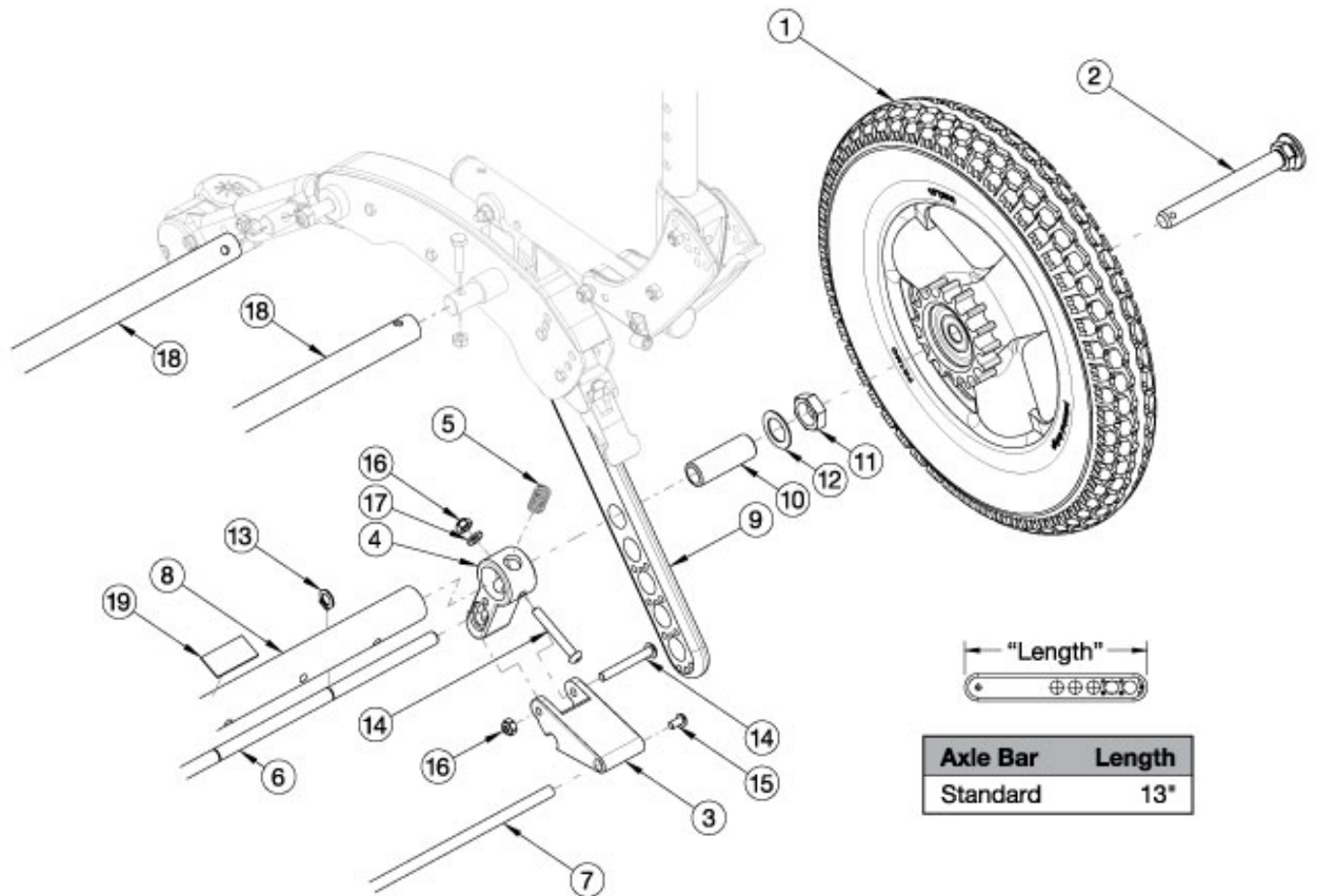


Flip for x:panda Attendant Foot Lock



If retrofitting/replacing, for a full assembly please select a wheel size, axle tube and the Attendant Foot Lock Kit.

Item Number	Part Number	Description	Quantity
3-5, 6, 7, 13-17	505476	Attendant Foot Lock Kit 16 Wide FLIP	1
4, 6, 7, 8, 13, 18a, 18b, 19	505485	Strut Kit 16" Wide Flip w/ Attendant Foot Lock	1
4, 6, 13	505467	Locking Rod Hub Lock 16 Wide Kit	1
1a	502853	Flip Attendant Foot Lock Wheel, 12" Pneumatic EACH	1
1b	502854	Flip Attendant Foot Lock Wheel, 12" Airless EACH	1
1c	502855	Flip Attendant Foot Lock Wheel, 12" Full Poly EACH	1
1d	502856	Flip Attendant Foot Lock Wheel, 16" Pneumatic EACH	1
1e	502857	Flip Attendant Foot Lock Wheel, 16" Airless EACH	1

Item Number	Part Number	Description	Quantity
1f	502858	Flip Attendant Foot Lock Wheel, 16" Full Poly EACH	1
1g	113604	Flip Attendant Foot Lock Wheel, 16" Low Poly EACH	1
2	101191	Axle Quick Release w/ Button 1/2" x 110MM	1
3	001928	Lever, Hub Lock	2
5	001929	Spring, Hub Lock	2
7	001945	Link Rod Hub Lock 16 Wide	1
8, 19	115889	Axle Tube with Wear Strip, 16 Wide	1
9	001838	Axle Bar, Standard	2
10	114480	Axle Receiver, 2.5" Length	2
11	100514	Axle Receiver Nut M18 x D12 x 8mm	2
12	100583	Axle Plate Washer 18mm	2
13	103503	3/8" External Self-Locking Shaft Ring	2
14	100670	M6 x 45 BTN SHCS BLK ZC	4
15	100669	M5 x 10 BTN SHCS BLKZC w/Patch	2
16	100658	M6 Nylock Nut Blk Zn	4
17	100746	M6 Flat Washer Blk Zn	2
18a	002634	Frame Growth Strut 12.5"	1
18b	002637	Frame Growth Strut 15.5"	1