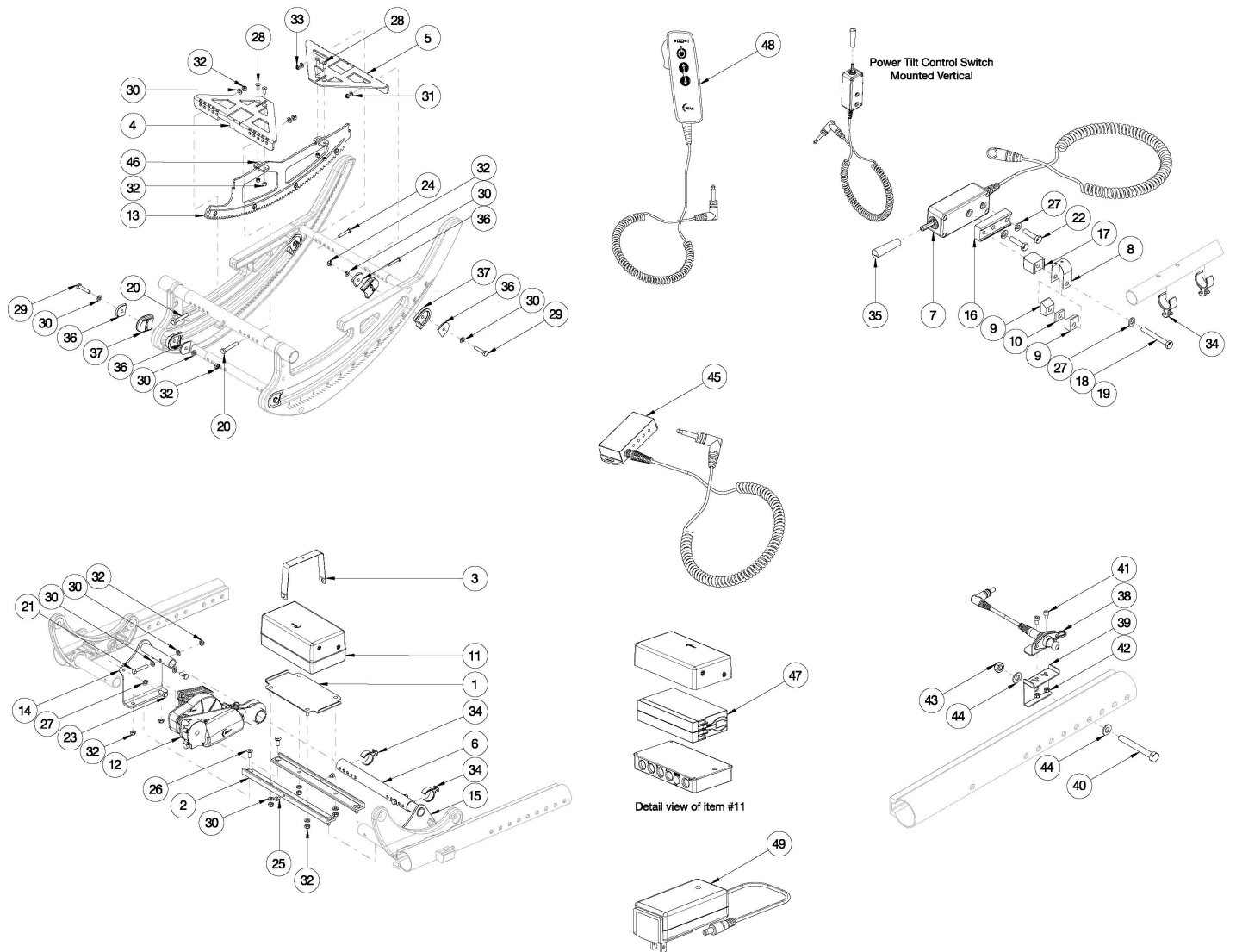


# Focus CR Power Tilt



*This design effective starting with serial numbers FCR0020156 and FCHD002253. This part can not be retrofitted. Not available with Heavy Duty Option*

| Item Number              | Part Number | Description                              | Quantity |
|--------------------------|-------------|--|----------|
| 1, 2a, 3, 25, 26, 30, 32 | 503399      | Battery Tray Kit, Power Tilt, 14W, Focus | 1        |
| 1, 2b, 3, 25, 26, 30, 32 | 503400      | Battery Tray Kit, Power Tilt, 15W, Focus | 1        |
| 1, 2c, 3, 25, 26, 30, 32 | 503401      | Battery Tray Kit, Power Tilt, 16W, Focus | 1        |
| 1, 2d, 3, 25, 26, 30, 32 | 503402      | Battery Tray Kit, Power Tilt, 17W, Focus | 1        |
| 1, 2e, 3, 25, 26, 30, 32 | 503403      | Battery Tray Kit, Power Tilt, 18W, Focus | 1        |
| 1, 2f, 3, 25, 26, 30, 32 | 503404      | Battery Tray Kit, Power Tilt, 19W, Focus | 1        |

| Item Number                             | Part Number | Description  | Quantity |
|---|-------------|--|----------|
| 1, 2g, 3, 25, 26, 30, 32                | 503405      | Battery Tray Kit, Power Tilt, 20W, Focus   | 1        |
| 1, 2h, 3, 25, 26, 30, 32                | 503406      | Battery Tray Kit, Power Tilt, 21W, Focus   | 1        |
| 1, 2i, 3, 25, 26, 30, 32                | 503407      | Battery Tray Kit, Power Tilt, 22W, Focus   | 1        |
| 7a-10, 16-19, 22, 27, 34a, 34b, 35      | 121062      | Controller Kit, Toggle, Power Tilt, Left, Focus  | 1        |
| 7b-10, 16-19, 22, 27, 34a, 34b, 35      | 121063      | Controller Kit, Toggle, Power Tilt, Right, Focus   | 1        |
| 4a, 5, 11-13, 28-30, 32, 34a, 36-44, 46 | 505000      | Power Tilt Module Kit, Small, Focus<br><br><i>This kit is to change from rev 1 Power Tilt to rev 2. Based on width range.</i>  | 1        |
| 4b, 11-13, 28-30, 32, 34a, 36-44, 46    | 505001      | Power Tilt Module Kit, Medium, Focus<br><br><i>This kit is to change from rev 1 Power Tilt to rev 2. Based on width range.</i> | 1        |
| 4c, 11-13, 28-30, 32, 34a, 36-44, 46    | 505002      | Power Tilt Module Kit, Large, Focus<br><br><i>This kit is to change from rev 1 Power Tilt to rev 2. Based on width range.</i>  | 1        |
| 29, 30, 32, 36, 37                      | 501072      | Tilt Stop PAIR Assembly Focus  | 2        |
| 8a, 9, 10, 16-18, 22, 27, 34a           | 111870      | Power Tilt Toggle Switch Mounting Hardware for Angle Adjustable Locking Armrests, 1"   | 1        |
| 8b, 9, 16, 17, 19, 22, 27, 34b          | 111873      | Power Tilt Toggle Switch Mounting Hardware for Height Adjustable Armrests, 7/8"  | 1        |
| 1                                       | 002819      | Power Tilt Tray RCB Focus  | 2        |
| 2a                                      | 002820      | Power Tilt Bracket RCB 14W Focus   | 2        |
| 2b                                      | 002821      | Power Tilt Bracket RCB 15W Focus   | 2        |
| 2c                                      | 002822      | Power Tilt Bracket RCB 16W Focus   | 2        |
| 2d                                      | 002823      | Power Tilt Bracket RCB 17W Focus   | 2        |
| 2e                                      | 002824      | Power Tilt Bracket RCB 18W Focus   | 2        |
| 2f                                      | 002825      | Power Tilt Bracket RCB 19W Focus   | 2        |
| 2g                                      | 002826      | Power Tilt Bracket RCB 20W Focus   | 2        |
| 2h                                      | 002827      | Power Tilt Bracket RCB 21W Focus   | 2        |
| 2i                                      | 002828      | Power Tilt Bracket RCB 22W Focus   | 2        |
| 3                                       | 002829      | Power Tilt Strap RCB Focus   | 1        |
| 4a                                      | 003660      | Power Tilt Rack Assembly Mount Bracket Small Front   | 1        |

| Item Number | Part Number | Description  | Quantity |
|-------------|-------------|--|----------|
| 4b          | 003662      | Power Tilt Rack Assembly Mount Bracket Medium  | 2        |
| 4c          | 003663      | Power Tilt Rack Assembly Mount Bracket Large   | 2        |
| 5           | 003661      | Power Tilt Rack Assembly Mount Bracket Small Rear  | 1        |
| 6a          | 002895      | Power Tilt Strut Tube Small Focus  | 1        |
| 6b          | 002896      | Power Tilt Strut Tube Medium Focus   | 1        |
| 6c          | 002897      | Power Tilt Strut Tube Large Focus  | 1        |
| 7a, 35      | 121058      | Power Tilt Control Switch, Left, Focus   | 1        |
| 7b, 35      | 002900      | Power Tilt Control Switch, Right, Focus  | 1        |
| 8a          | 002901      | Power Tilt Band Clamp Strap 1"<br><i>Used on 1" armrest tubing: Angle Adjustable Locking Extendable Flip Up</i>  | 1        |
| 8b          | 002902      | Power Tilt Band Clamp Strap 7/8"<br><i>Used on 7/8" armrest tubing: Height Adjustable T-Arm, Height Adjustable T-Arm Low and Height Adjustable Dual Post Flip Back</i> | 1        |
| 9           | 002903      | Power Tilt Band Clamp Mandrel  | 2        |
| 10          | 002904      | Power Tilt Clamp Spacer<br><i>Only used with Angle Adjustable Locking Extendable Flip Up Armrest</i>   | 1        |
| 11          | 002905      | Power Tilt Battery RCB10 Unit, Focus<br><i>(Motor Cord not shown in image)</i>   | 1        |
| 12          | 506654      | Power Tilt Motor Arm Assembly with Instruction<br><i>Replaced part number 003664</i>   | 1        |
| 13          | 003659      | Power Tilt Rack Assembly   | 1        |
| 13, 46      | 505578      | Power Tilt Rack Assembly with Rack Mount Plates<br><i>Contains 003659 and quantity 2 of 003871</i>   | 1        |
| 14          | 002910      | Power Tilt Mounting Plate Right Focus  | 1        |
| 15          | 002911      | Power Tilt Mounting Plate Left Focus   | 1        |
| 16          | 003090      | Power Tilt Control Switch Mount Block  | 1        |
| 17          | 003091      | Power Tilt Control Switch Spacer   | 1        |
| 18          | 100676      | M6 x 55 CLS10.9 DIN931 HHCS ZC<br><i>Used with Angle Adjustable Locking Extendable Flip Up Arm with Arm Pad</i>  | 1        |
| 19          | 101826      | M6 x 50 HHCS Blk Zn  | 1        |

| Item Number | Part Number | Description   | Quantity |
|-------------|-------------|---|----------|
|             |             | <i>Used with Height Adjustable T-Arm, Height Adjustable T-Arm Low and Height Adjustable Dual Post Flip Back Arm</i>   |          |
| 20          | 101825      | M6 x 40 HHCS Blk Zn   | 2        |
| 21          | 102386      | M6 x 35mm HHCS Blk Zc   | 2        |
| 22          | 102792      | M6 x 25, HHCS, Blk Zn   | 2        |
| 23          | 102327      | M6 x 16 HHCS Blk Zn   | 4        |
| 24          | 102933      | M5 x 30 HHCS, BLK ZN  | 2        |
| 25          | 102935      | M5 X 6 HHCS w/Patch, Blk Zn   | 2        |
| 26          | 102936      | M6 X 16 FHCS, Blk Zn  | 4        |
| 27          | 101835      | M6 Lock Washer Blk Zn   | 7        |
| 28          | 102937      | M5 X 14 FHCS, Blk Zn  | 4        |
| 29          | 101824      | M6 X 30 Hhcs Blk Zn   | 4        |
| 30          | 100746      | M6 Flat Washer Blk Zn   | 18       |
| 31          | 101856      | Flat Washer, M5, Blk Zn   | 2        |
| 32          | 100658      | M6 Nylock Nut Blk Zn  | 16       |
| 33          | 100657      | M5 Nylock Nut Blk Zn  | 2        |
| 34a         | 001117      | Cable Clip 1"<br><br><i>Quantity 2 used on 1" armrest tubing: Angle Adjustable Locking Extendable Flip Up. Additional clip used on seat tube - not shown in image.</i>  | 3        |
| 34b         | 001118      | Cable Clip 7/8"<br><br><i>Used on 7/8" armrest tubing: Height Adjustable T-Arm, Height Adjustable T-Arm Low and Height Adjustable Dual Post Flip Back</i>               | 2        |
| 35          | 103986      | Power Tilt Toggle Switch Extension Handle<br><br><i>Replaced part number 003631 (Power Tilt Control Switch Joystick Cover)</i>  | 1        |
| 36          | 001037      | Thrust Plate Tilt Stop TILT   | 8        |
| 37          | 001036      | Pad Tilt Stop TILT  | 8        |
| 38          | 003349      | Power Tilt Extension Cable<br><br><i>If replacing this cable and chair was invoiced prior to 8/20/18, a new power tilt extension cable bracket is required, 003350.</i> | 1        |
| 39          | 003350      | Power Tilt Extension Cable Bracket  | 1        |
| 40          | 101829      | M8 x 65 HHCS Blk Zn   | 1        |

| Item Number | Part Number | Description   | Quantity |
|-------------|-------------|---|----------|
| 41          | 102800      | M4 x 8mm SHCS Blk Zn  | 2        |
| 42          | 102329      | M4 Nylock Nut Blk Zn  | 2        |
| 43          | 100659      | M8 Nylock Nut Blk Zn  | 1        |
| 44          | 101858      | Washer Flat M8 Blk Zn   | 2        |
| 45          | 505090      | Power Tilt Interface Control Box for Adaptive Switching   | 1        |
| 46          | 003871      | Power Tilt Rack Mount Plate   | 2        |
| 47          | 506563      | Replacement Power Tilt Battery with Instruction<br><i>This is only a replacement battery, it does not include the top and lower caps. If wanting a complete battery unit, use part number 002905.</i> | 1        |
| 48          | 506653      | Power Tilt Pendant Controller with LED Indicator  | 1        |
| 49          | 111883      | Power Tilt Battery Charger, Control Box, with US Plug Adapter (Mascot 2241 LA)<br><i>Replaced Power Tilt Battery Charger RCB 120V (Mascot 2740) part number 002906</i>                                | 1        |