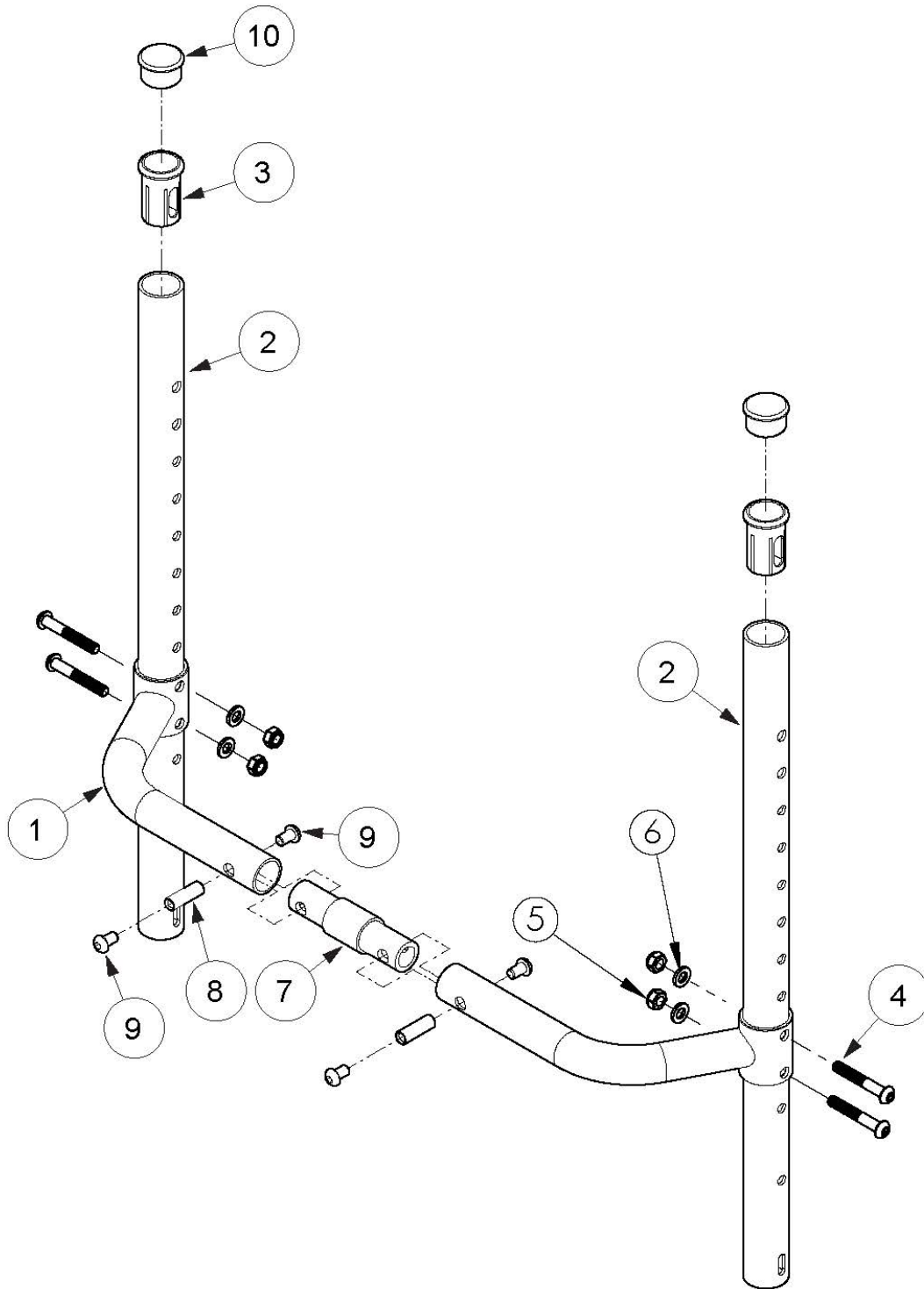


# **(Discontinued) Rogue with XP Option Fixed Height Backrest with Adjustable Height Rigidizer Bar**



*This Rogue with XP Option Backrest is discontinued as of July 25th, 2016 Parts on this page are only for the Discontinued Rogue with XP Option frame/backrest. If you have a Rogue XP, use the Rogue XP Backrest pages for your replacement parts.*

<b>Item Number</b>	<b>Part Number</b>	<b>Description</b>	<b>Quantity</b>
1a, 7a, 8, 9	109158	Adjustable Height Rigidizer Bar 12", 0" Connector and Hardware	1
1a, 7b, 8, 9	109159	Adjustable Height Rigidizer Bar 12", 1" Connector and Hardware	1
1a, 7c, 8, 9	109160	Adjustable Height Rigidizer Bar 12", 2" Connector and Hardware	1
1a, 7d, 8, 9	109161	Adjustable Height Rigidizer Bar 12", 3" Connector and Hardware	1
1b, 7a, 8, 9	109162	Adjustable Height Rigidizer Bar 13", 0" Connector and Hardware	1
1b, 7b, 8, 9	109163	Adjustable Height Rigidizer Bar 13", 1" Connector and Hardware	1
1b, 7c, 8, 9	109164	Adjustable Height Rigidizer Bar 13", 2" Connector and Hardware	1
1b, 7d, 8, 9	109165	Adjustable Height Rigidizer Bar 13", 3" Connector and Hardware	1
1c, 7a, 8, 9	109166	Adjustable Height Rigidizer Bar 14", 0" Connector and Hardware	1
1c, 7b, 8, 9	109167	Adjustable Height Rigidizer Bar 14", 1" Connector and Hardware	1
1c, 7c, 8, 9	109168	Adjustable Height Rigidizer Bar 14", 2" Connector and Hardware	1
1c, 7d, 8, 9	109169	Adjustable Height Rigidizer Bar 14", 3" Connector and Hardware	1
1d, 7a, 8, 9	109170	Adjustable Height Rigidizer Bar 15", 0" Connector and Hardware	1
1d, 7b, 8, 9	109171	Adjustable Height Rigidizer Bar 15", 1" Connector and Hardware	1
1d, 7c, 8, 9	109172	Adjustable Height Rigidizer Bar 15", 2" Connector and Hardware	1
1d, 7d, 8, 9	109173	Adjustable Height Rigidizer Bar 15", 3" Connector and Hardware	1
1e, 7a, 8, 9	109174	Adjustable Height Rigidizer Bar 16", 0" Connector and Hardware	1
1e, 7b, 8, 9	109175	Adjustable Height Rigidizer Bar 16", 1" Connector and Hardware	1
1e, 7c, 8, 9	109176	Adjustable Height Rigidizer Bar 16", 2" Connector and Hardware	1
1e, 7d, 8, 9	109177	Adjustable Height Rigidizer Bar 16", 3" Connector and Hardware	1
7b, 8, 9	502318	Backrest Connector Assembly 1" w/ Hardware, Rigid	1
7c, 8, 9	502319	Backrest Connector Assembly 2" w/ Hardware, Rigid	1
7d, 8, 9	502320	Backrest Connector Assembly 3" w/ Hardware, Rigid	1
2	000698	Backrest Tube Fixed Height, 17.25"	2
3	000034	Sleeve 3/4" x 1 1/2"	2

Item Number	Part Number	Description	Quantity
		<i>Used with standard push handles, low profile push handles or fold down push handles</i>	
4	100797	M6 x 40 BHCS BLK ZC	4
5	100658	M6 Nylock Nut Blk Zn	4
6	100746	M6 Flat Washer Blk Zn	4
7a	000589	Backrest Connector 0" LW/RG	1
7b	000590	Backrest Connector 1" LW/RG	1
7c	000591	Backrest Connector 2" LW/RG	1
7d	000592	Backrest Connector 3" LW/RG	1
8	000669	M6 x 20.5 Threaded Barrel	2
9	101184	M6 x 10 BTN SHCS BLKZC w/Patch	4
10	100804	Tube End Plug 1" <i>Used with omit push handles</i>	2