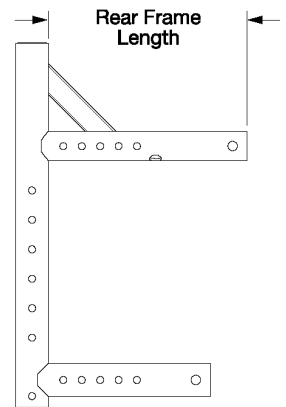
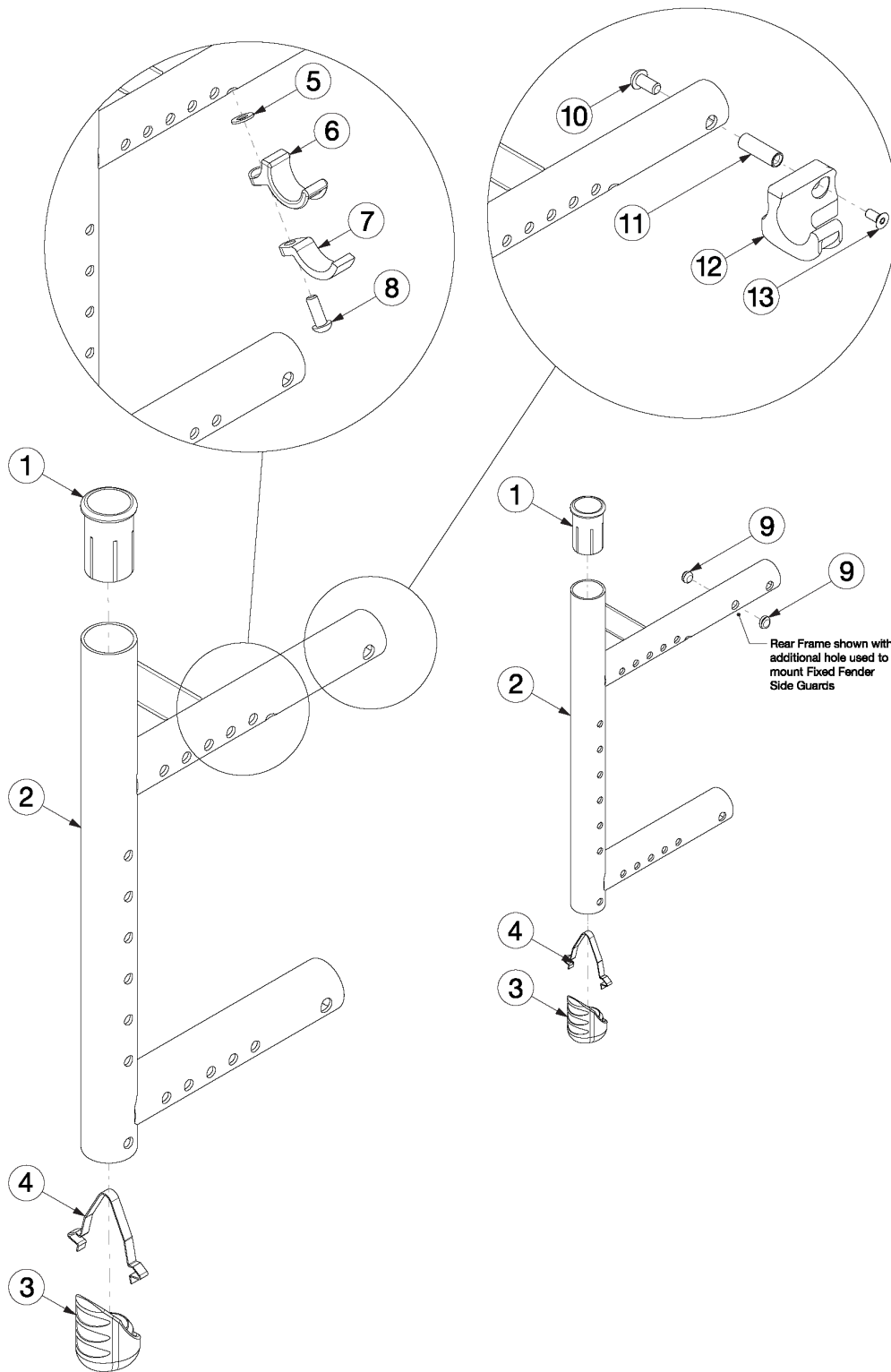


Catalyst 5VX Rear Frame



Rear Frame	Length
Short	6.75"
Long	8.75"

If chair has any type of direct mount side guards, select frame assembly with Side Guard Mount Modification. Use the short frame for 14-17" Seat Depths. Use the long frame for 18-20" Seat Depths. This design is effective starting with serial numbers C5053765, C5HD003546, and CVX0091137. Design is compatible with the discontinued vertical axle plate with 0° camber. If retrofitting to add camber spacers and the discontinued rear frame and discontinued vertical axle plate are present, new rear frames and new vertical axle plates are required. If switching to a new Seat Depth, new Height Adjustable Flip Back T-Arms may be needed.

Item Number	Part Number	Description	Quantity
1, 2a, 3, 4	003527_ _ _	Frame Assembly Cat 5VX Rear Left Short	1
1, 2b, 3, 4	003528_ _ _	Frame Assembly Cat 5VX Rear Right Short	1
1, 2b, 3, 4	123152_ _ _	Frame Assembly Cat 5VX Rear Right Short Not For Transit <i>Please quote when transit is not present.</i>	1
1, 2c, 3, 4	003529_ _ _	Frame Assembly Cat 5VX Rear Left Long	1
1, 2d, 3, 4	003530_ _ _	Frame Assembly Cat 5VX Rear Right Long	1
1, 2d, 3, 4	123153_ _ _	Frame Assembly Cat 5VX Rear Right Long Not For Transit <i>Please quote when transit is not present.</i>	1
1, 2,a, 3, 4	114414_ _ _	Frame Assm Cat 5VX Rear with Side Guard Mount Modification Left Short	1
1, 2b, 3, 4	114415_ _ _	Frame Assm Cat 5VX Rear with Side Guard Mount Modification Right Short	1
1, 2b, 3, 4	123163_ _ _	Frame Assm Cat 5VX Rear with Side Guard Mount Modification Right Short Not For Transit <i>Please quote when transit is not present.</i>	1
1, 2c, 3, 4	114416_ _ _	Frame Assm Cat 5VX Rear with Side Guard Mount Modification Left Long	1
1, 2d, 3, 4	114417_ _ _	Frame Assm Cat 5VX Rear with Side Guard Mount Modification Right Long	1
1, 2d, 3, 4	123164_ _ _	Frame Assm Cat 5VX Rear with Side Guard Mount Modification Right Long Not For Transit <i>Please quote when transit is not present.</i>	1
1, 2a	506282_ _ _	Frame Assembly w/Backrest Sleeve Only Cat 5VX Rear Left Short <i>Used with Transit Wheels or Left Step Tube</i>	1
1, 2b	506283_ _ _	Frame Assembly w/Backrest Sleeve Only Cat 5VX Rear Right Short <i>Used with Transit Wheels or Right Step Tube</i>	1
1, 2c	506284_ _ _	Frame Assembly w/Backrest Sleeve Only Cat 5VX Rear Left Long <i>Used with Transit Wheels or Left Step Tube</i>	1
1, 2d	506285_ _ _	Frame Assembly w/Backrest Sleeve Only Cat 5VX Rear Right Long <i>Used with Transit Wheels or Right Step Tube</i>	1
1, 2a	114418_ _ _	Frame Assm w/Backrest Sleeve Only Cat 5VX Rear with Side Guard Mount Modification Left Short <i>Used with Transit Wheels or Left Step Tube</i>	1
1, 2b	114419_ _ _	Frame Assm w/Backrest Sleeve Only Cat 5VX Rear with Side Guard Mount Modification Right Short <i>Used with Transit Wheels or Right Step Tube</i>	1

Item Number	Part Number	Description	Quantity
1, 2b	123169_ _ _	Frame Assembly w/Backrest Sleeve Only Cat 5VX Rear with Side Guard Mount Modification Right Short Not For Transit <i>Please quote when transit is not present.</i>	1
1, 2c	114420_ _ _	Frame Assm w/Backrest Sleeve Only Cat 5VX Rear with Side Guard Mount Modification Left Long <i>Used with Transit Wheels or Left Step Tube</i>	1
1, 2d	114421_ _ _	Frame Assm w/Backrest Sleeve Only Cat 5VX Rear with Side Guard Mount Modification Right Long <i>Used with Transit Wheels or Right Step Tube</i>	1
5 - 8a	501005	Seat Hook and Support Hardware Kit, Standard, Catalyst <i>Used with Standard Weight Capacity. This kit contains quantity of 1 each</i>	1
5 - 7, 8b	114528	Seat Hook and Support Hardware Kit, Standard, for Heavy Duty Catalyst <i>Used with Heavy Duty / 350 lbs Weight Capacity. This kit contains quantity of 1 each</i>	1
10, 11, 12a, 13	111569	Seat Hook and Support Hardware Kit Seating System Right Front Frame / Left Rear Frame Catalyst <i>This kit contains quantity of 1 each</i>	1
10, 11, 12b, 13	111570	Seat Hook and Support Hardware Kit, Seating System Left Front Frame / Right Rear Frame Catalyst <i>This kit contains quantity of 1 each</i>	1
1	000030	Backrest Sleeve Cat	1
3	003707	Vx Rear Frame Bumper	1
4	112180	Double Ramp Detent	1
5	100831	1/2" Washer OD .040" Thick	1
6	000003	Seat Hook, Catalyst	1
7	000004	Seat Hook Support, Catalyst	1
8a	100668	M6 x 20 CLS10.9 BTN SHCS ZC w/Patch <i>Used with Standard Weight Capacity</i>	1
8b	101180	M6 x 20 SHCS BLK ZC <i>Used with Heavy Duty / 350 lbs Weight Capacity</i>	1
9	109123	3/8" OD 1/4" ID, SBR Rubber Push-In Plug	2
10	100667	M6 x 12 BTN SHCS BLKZC w/Patch	1
11	000065	M6 x 23.68 Threaded Barrel	1
12a	000960R	Seat Hook Open Frame Right Front Frame / Left Rear Frame, Catalyst	1
12b	000960L	Seat Hook Open Frame Left Front Frame / Right Rear Frame, Catalyst	1

Item Number	Part Number	Description	Quantity
13	101594	M6 x 14 CLS10.9 DIN7991 FSHCS BLKZC w/Patch	1

Matte Finish	
Code	Color Name
CGM	Charcoal Gray
EGM	Emerald Green
GGM	Graphite Gray*
IBM	Iridescent Burgundy
INM	Iridescent Navy
AGM	Military Green**
RRM	Retro Red
RBM	Royal Blue
SBM	Shadow Black
SWM	Smooth White

* Discontinued Color

** Formerly called Army Green

Gloss Finish	
Code	Color Name
BLK	Black
BLU	Blue
SKY	Blue Skies
BRO	Bright Orange*
PNK	Bubblegum Pink
BUR	Burgundy*
CBL	Candy Blue
PUR	Candy Purple
RED	Candy Red
COP	Copper
DPR	Deep Purple*
EBL	Electric Blue*
GRN	Forest Green*
FUS	Fuchsia*
GSM	Granny Smith
MTF	Metallic Fuchsia*
MOR	Metallic Orange
ORG	Orange*
SAP	Sapphire*
SIL	Silver
TEA	Teal
YLW	Yellow
FLM	Graphic Image Transfer