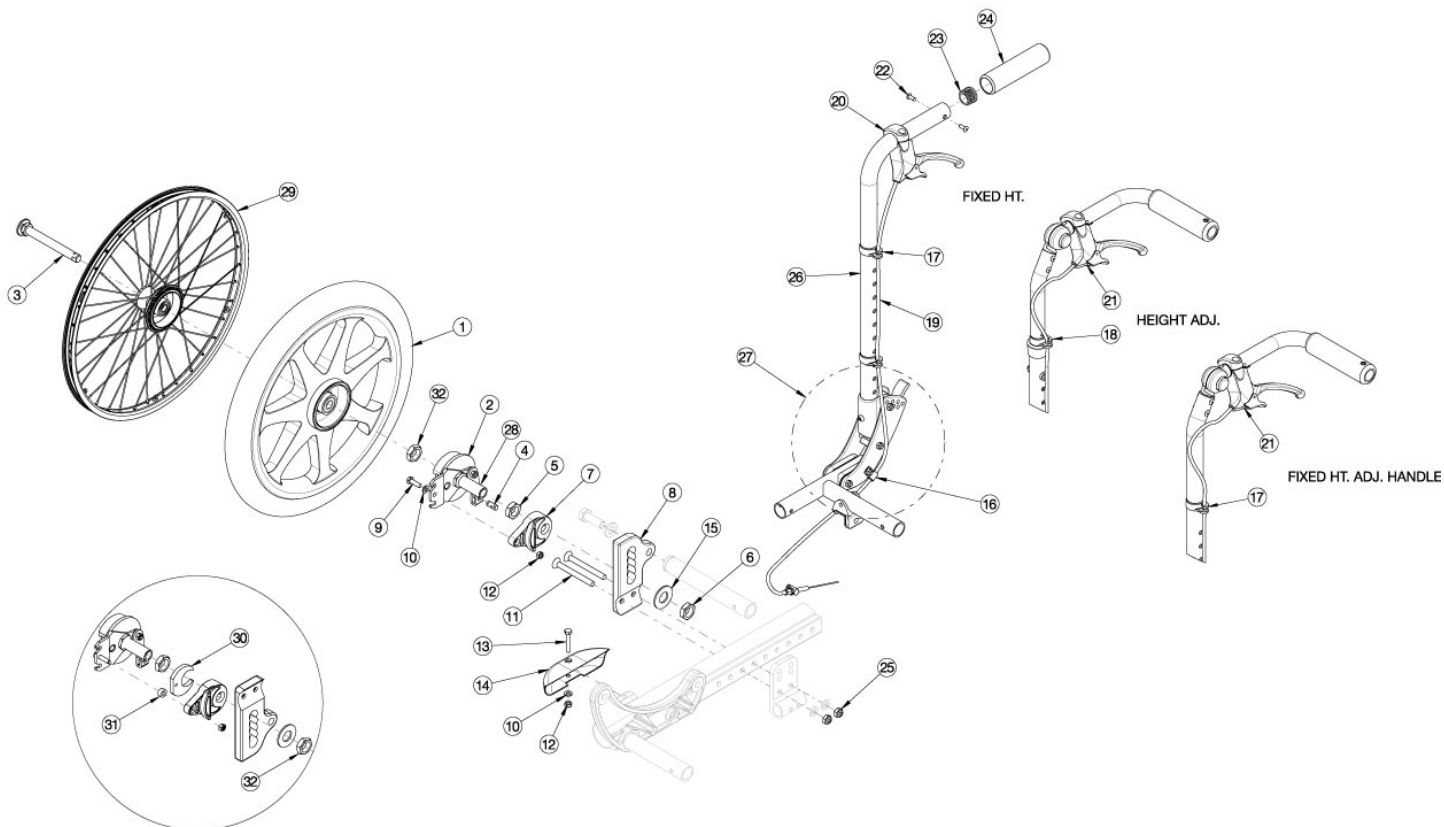


Focus CR Drum Brake (Non-Hand Tilt)



Used only with 12" Mag Wheel and inverted axle plate

For complete retrofit, quote both drum brake retro kit and cable kit. Must also quote rear tires and handrims if quoting 24" MAXX Spoke wheels. If retrofitting and chair was invoiced prior to October 11th, 2019, with stroller handle back posts present, new stroller handle back post assemblies are required. If changing wheel type and the drum brake is already present, the drum brake rotor kit with hardware is required.

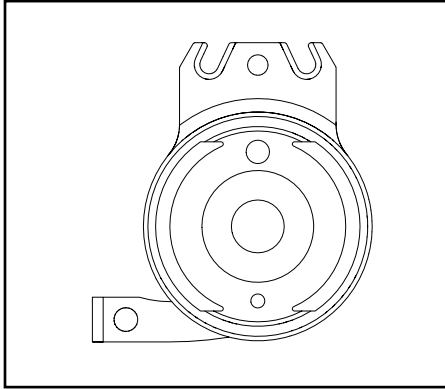
Item Number	Part Number	Description	Quantity
1a, 2a, 2b, 3a, 4-8, 9a, 9b, 10-12, 15, 25, 30-32	113355	Drum Brake Retro Kit, 12" Mag w/Pneumatic Tire, PAIR, TILT	1
1b, 2a, 2b, 3a, 4-8, 9a, 9b, 10-12, 15, 25, 30-32	113356	Drum Brake Retro Kit, 12" Mag w/ Full Poly Tire, PAIR, TILT	1
1c, 2a, 2b, 3a, 4-12, 15, 25	502692	Drum Brake Retro Kit, 16" Mag w/ Pneumatic Tire, PAIR, TILT	1
1d, 2a, 2b, 3a, 4-12, 15, 25	502694	Drum Brake Retro Kit, 16" Mag w/ Full Poly Tire, PAIR, TILT	1
1e, 2a, 2b, 3a, 4-12, 15, 25	502693	Drum Brake Retro Kit, 16" Mag w/ Airless Insert Tire, PAIR, TILT	1
1f, 2a, 2b, 3b, 4-12, 15, 25	113357	Drum Brake Retro Kit, 24" MAXX Spoke, PAIR, TILT <i>This retrofit kit does not contain rear tires or handrims</i>	1

Item Number	Part Number	Description	Quantity
1f, 2a, 2b, 3b, 4 - 12, 15, 25	118245	Drum Brake Retro Kit, 24" MAXX Spoke, Pneumatic w/ Airless Insert Tire (Black), PAIR, TILT <i>Replaced kit number 116575</i>	1
12, 16, 17, 19a, 20, 22-24, 26a	502695	Cable Kit, Drum Brake, Stroller Handle Back Post Short, Std Axle Plate	1
12, 16, 17, 19b, 20, 22-24, 26b	502696	Cable Kit, Drum Brake, Stroller Handle Back Post Tall, Std Axle Plate	1
12, 16, 17, 19b, 20, 22-24, 26a	502697	Cable Kit, Drum Brake, Stroller Handle Back Post Short, Inv Axle Plate	1
12, 16, 17, 19c, 20, 22-24, 26b	502698	Cable Kit, Drum Brake, Stroller Handle Back Post Tall, Inv Axle Plate	1
16-18, 19c, 21	502699	Cable Kit, Drum Brake, Ht Adj Back Post Short, Std Axle Plate PAIR	1
16-18, 19e, 21	107276	Cable Kit, Drum Brake, Ht Adj Back Post Tall, Std Axle Plate PAIR <i>Replaced kit number 502700</i>	1
16-18, 19d, 21	502701	Cable Kit, Drum Brake, Ht Adj Back Post Short, Inv Axle Plate PAIR	1
16-18, 19e, 21	502702	Cable Kit, Drum Brake, Ht Adj Back Post Tall, Inv Axle Plate PAIR	1
16, 17, 19c, 21	505252	Cable Kit, Drum Brake, Fixed Height with Adj Handle Back Post Short, Std Axle Plate PAIR	1
16, 17, 19e, 21	107277	Cable Kit, Drum Brake, Fixed Height with Adj Handle Back Post Tall, Std Axle Plate PAIR <i>Replaced kit number 505253</i>	1
16, 17, 19d, 21	505254	Cable Kit, Drum Brake, Fixed Height with Adj Handle Back Post Short, Inv Axle Plate PAIR	1
16, 17, 19e, 21	505255	Cable Kit, Drum Brake, Fixed Height with Adj Handle Back Post Tall, Inv Axle Plate PAIR	1
12, 16, 17, 19a, 20, 22-27	502703	Cable Kit w/ Folding Hardware, Drum Brake, Stroller Handle Back Post Short, Std Axle Plate	1
12, 16, 17, 19b, 20, 22-27	502704	Cable Kit w/ Folding Hardware, Drum Brake, Stroller Handle Back Post Tall, Std Axle Plate	1
12, 16, 17, 19b, 20, 22-27	502705	Cable Kit w/ Folding Hardware, Drum Brake, Stroller Handle Back Post Short, Inv Axle Plate	1
12, 16, 17, 19c, 20, 22-27	502706	Cable Kit w/ Folding Hardware, Drum Brake, Stroller Handle Back Post Tall, Inv Axle Plate	1
2a, 2b, 3a, 4-7, 9a, 9b, 10, 12, 15, 25, 30-32	116063	Drum Brake Rotor Kit for 12" Mag Wheels with Hardware PAIR, TILT	1
2a, 2b, 3a, 4-7, 9, 10, 12, 15, 25	113358	Drum Brake Rotor Kit for 16" Mag Wheels with Hardware PAIR, TILT	1
2a, 2b, 3b, 4-7, 9, 10, 12, 15, 25	113359	Drum Brake Rotor Kit for MAXX Spoke Wheels with Hardware PAIR, TILT	1
2a, 2b, 3b, 4-7, 9a, 9b, 10, 12, 15, 25, 30-32	116064	Hardware Kit for Drum Brake Rotor for 12" Mag Wheels PAIR, TILT	1
3a, 4, 5, 6, 9, 10, 12, 15, 25	113360	Hardware Kit for Drum Brake Rotor for 16" Mag Wheels PAIR, TILT	1

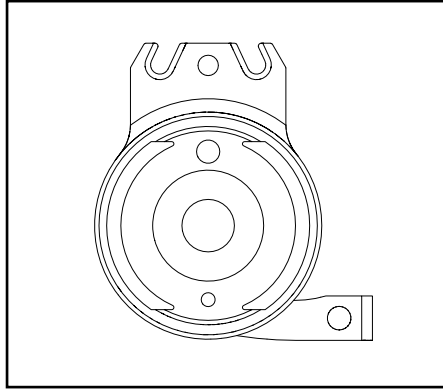
Item Number	Part Number	Description	Quantity
		<i>This kit also contains a pair of axle sleeves</i>	
3b, 4, 5, 6, 9, 10, 12, 15, 25	113361	Hardware Kit for Drum Brake Rotor for MAXX Spoke Wheels, PAIR, TILT <i>This kit also contains a pair of axle sleeves</i>	1
2a, 3a, 4-7, 9, 10, 12, 15, 25	113362	Drum Brake Rotor Kit for Mag Wheels with Hardware, Side A, TILT	1
2b, 3a, 4-7, 9, 10, 12, 15, 25	113363	Drum Brake Rotor Kit for Mag Wheels with Hardware, Side A, TILT	1
2a, 3b, 4-7, 9, 10, 12, 15, 25	113364	Drum Brake Rotor Kit for MAXX Spoke Wheels with Hardware, Side B, TILT	1
2b, 3b, 4-7, 9, 10, 12, 15, 25	113365	Drum Brake Rotor Kit for MAXX Spoke Wheels with Hardware, Side A, TILT	1
3a, 4, 5, 6, 9, 10, 12, 15, 25	113366	Hardware Kit for Drum Brake Rotor for Mag Wheels, One Side, TILT <i>This kit also contains one axle sleeve</i>	2
3b, 4, 5, 6, 9, 10, 12, 15, 25	113367	Hardware Kit for Drum Brake Rotor for MAXX Spoke Wheels, One Side, TILT <i>This kit also contains one axle sleeve</i>	2
1a	111804	12" Mag Wheel with Pneumatic Tire, Drum Brake Hub	2
1b	111805	12" Mag Wheel with Full Poly Tire, Drum Brake Hub	2
1c, 2-6	002678	Drum Brake Kit, 16" Mag, Pneumatic Tire PAIR	1
1d, 2-6	002680	Drum Brake Kit, 16" Mag, Full Poly Tire PAIR	1
1e, 2-6	002679	Drum Brake Kit, 16" Mag, Pneumatic Tire w/ Airless Insert PAIR	1
1f	111733	Wheel 24" MAXX Spoke, Drum Brake	2
1g	118358	24" Spoke for Drum Brake, Pneumatic w/ Airless Insert Tire (Black) <i>Replaced kit number 117432. Does not include the handrim. Quote handrim hardware if needed.</i>	2
2a	113368	Drum Brake Rotor with Axle Sleeve, Side B, for Mag Wheel	1
2b	113369	Drum Brake Rotor with Axle Sleeve, Side A, for Mag Wheel	1
2a	113370	Drum Brake Rotor with Axle Sleeve, Side B, for MAXX Spoke Wheel	1
2b	113371	Drum Brake Rotor with Axle Sleeve, Side A, for MAXX Spoke Wheel	1
3a	101108	Axle Quick Release w/ Button 1/2" x 99MM <i>Used with 12" and 16" Mag wheels</i>	2
3b	101191	Axle Quick Release w/ Button 1/2" x 110MM <i>Used with 24" MAXX Spoke wheel</i>	2
4	111598	Drum Brake, Pinch Bolt	2
7	002465	Adapter, Drum Brake, Focus	2
8a	002463	Axle Plate, Drum Brake R	1

Item Number	Part Number	Description	Quantity
8b	002464	Axle Plate, Drum Brake L	1
9a	101823	M6 x 20 HHCS Blk Zn	2
9b	102792	M6 x 25, HHCS, Blk Zn <i>Used with 12" Wheels in combination with Inverted Axle Plates</i>	2
10	100746	M6 Flat Washer Blk Zn	4
11a	102740	M8 x 80 FHCS CLS10.9 BZ DIN7991 <i>If foot tilt is present, use 103984 on foot pedal side and use 102740 on opposite side. If power tilt is present, use 102740 on both sides</i>	2
11b	103984	M8 x 110mm FHCS CLS12.9 BZ DIN7991 <i>If foot tilt is present, use 103984 on foot pedal side and use 102740 on opposite side</i>	2
12	100658	M6 Nylock Nut Blk Zn	4
13	102386	M6 x 35mm HHCS Blk Zc	2
14	002709	Cover, Wheel Lock Mount <i>Used only with inverted axle plate when no other wheel lock is mounted</i>	2
15	000465	Washer - .725 x 1.5 x .09 F/W ZC PR	2
16	001239	P-Clip 3/16"	2
17	001117	Cable Clip 1" <i>Use quantity 2 per stroller handle back post; quantity 1 per height adjustable back post; quantity 2 per fixed height with adjustable handle back post</i>	4
18	001118	Cable Clip 7/8" <i>Use quantity 1 per height adjustable back post</i>	2
19a	002468	Cable, Drum Brake, Short <i>Used with short stroller handle back post and standard axle plate</i>	2
19b	002469	Cable, Drum Brake, Medium <i>Used with with short stroller handle back post and inverted axle plate or tall stroller handle back post and standard axle plate</i>	2
19c	002470	Cable, Drum Brake, Long <i>Used with tall stroller handle back post and inverted axle plate; short height adjustable back post and standard axle plate; or short fixed height with adjustable handle back post and standard axle plate</i>	2
19d	002471	Cable, Drum Brake, XL	2

Item Number	Part Number	Description	Quantity
		<i>Used with short height adjustable back post and inverted axle plate; tall height adjustable back post and standard axle plate; short fixed height with adjustable handle back post and inverted axle plate; or tall fixed height with adjustable handle back post and standard axle plate</i>	
19e	002472	Cable, Drum Brake, XXL <i>Used with tall height adjustable back post and standard or inverted axle plate or tall fixed height with adjustable handle and standard or inverted axle plate</i>	2
20	002673	Brake Lever, Lock, Ang, 25mm <i>Used with stroller handle back posts</i>	2
21	002674	Brake Lever, Lock, Str, 22mm <i>Used with height adjustable and fixed height with adjustable handle back posts</i>	2
23	100804	Tube End Plug 1"	2
25	100659	M8 Nylock Nut Blk Zn	2



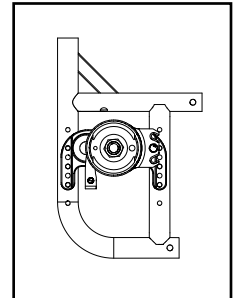
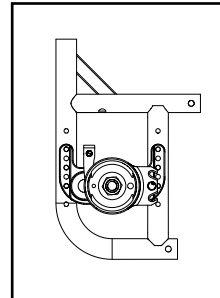
Rotor A - Part No. 111641



Rotor B - Part No. 111640

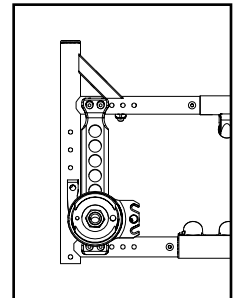
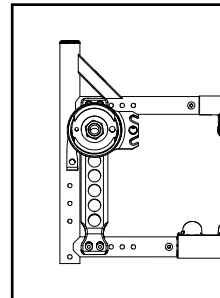
Catalyst 5		
Configuration	Left	Right
Axle plate curve up	B	A
Axle plate curve down	A	B

Left: Axle Plate Curve Up
Right: Axle Plate Curve Down

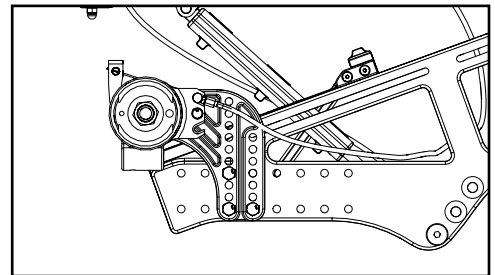


Catalyst 5VX		
Configuration	Left	Right
Axle Position holes 1-5 (top)	A	B
Axle Position holes 6-7 (bottom)	B	A

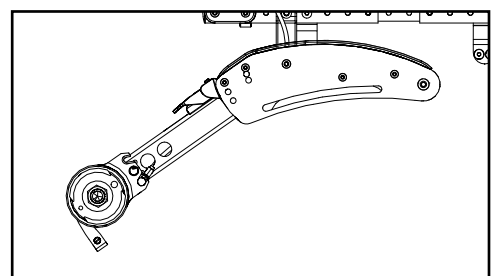
Left: Axle Position Top
Right: Axle Position Bottom



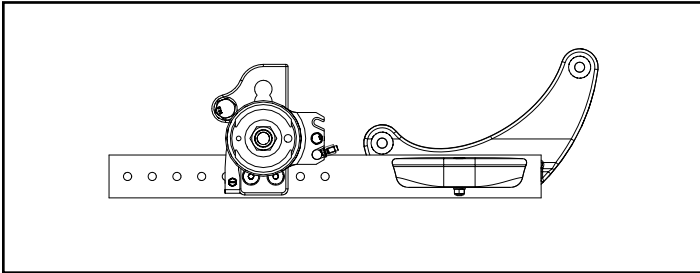
Liberty		
Configuration	Left	Right
All	B	A



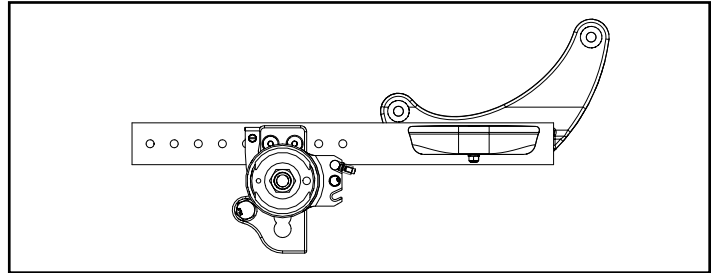
Flip		
Configuration	Left	Right
All	A	B



Focus		
Configuration	Left	Right
Standard (mounts above base frame)	A	B
Inverted (mounts below base frame)	B	A

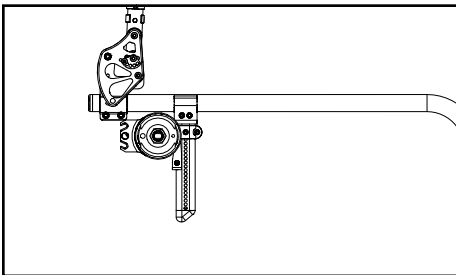


Standard Configuration

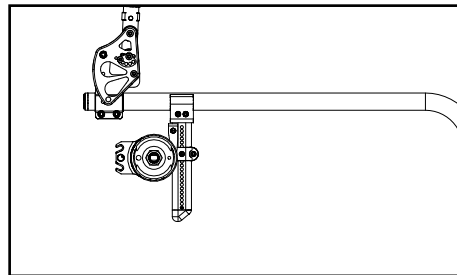


Inverted Configuration

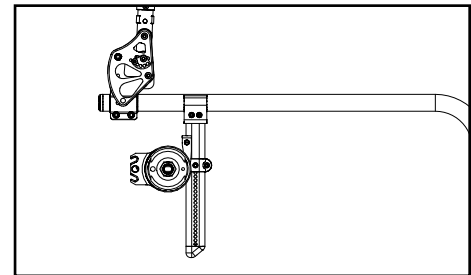
Rigid		
Configuration	Left	Right
Tower 000925 - upper holes (14 or more exposed below clamp)	B	A
Tower 000925 - lower holes (13 or fewer holes exposed below clamp)	A	B
Tower 000926 (all hole locations)	A	B



Tower 000925 - Upper Holes



Tower 000925 - Lower Holes



Tower 000926 - All Holes

Arc		
Configuration	Left	Right
All	B	A

