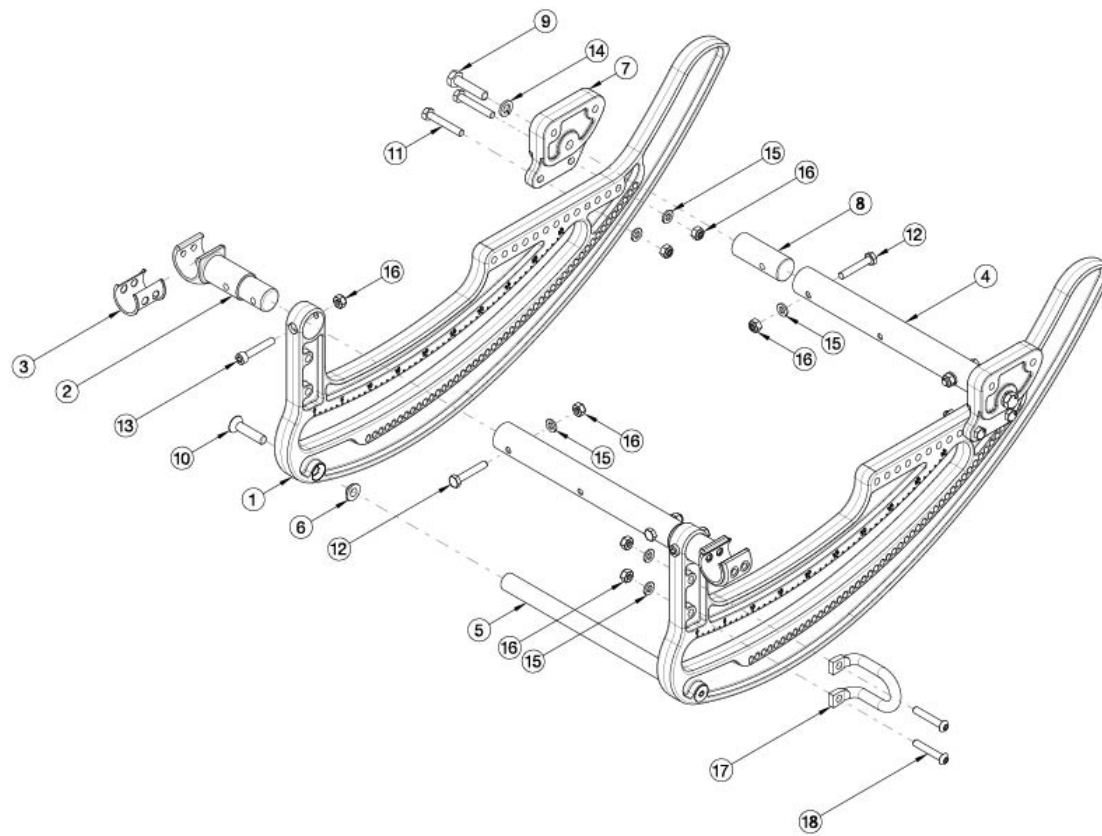


CR45 Rotary Frame



Chair Width	Strut Length
14"	8.46"
15"	9.46"
16"	10.46"
17"	11.46"
18"	12.46"
19"	13.46"
20"	14.46"
21"	15.46"
22"	16.46"

Item Number	Part Number	Description	Quantity
4a, 5a, 10	116320	Strut Kit, 14W	1
4b, 5b, 10	116321	Strut Kit, 15W	1
4c, 5c, 10	116322	Strut Kit, 16W	1
4d, 5d, 10	116323	Strut Kit, 17W	1
4e, 5e, 10	116324	Strut Kit, 18W	1
4f, 5f, 10	116325	Strut Kit, 19W	1
4g, 5g, 10	116326	Strut Kit, 20W	1
4h, 5h, 10	116327	Strut Kit, 21W	1
4i, 5i, 10	116328	Strut Kit, 22W	1
1a	116296	Rotary Frame w/ Decal, Right	1
1b	116297	Rotary Frame w/ Decal, Left	1
1c	116298	Rotary Frame w/ Decal, Pair	1

Item Number	Part Number	Description	Quantity
2	112445	Seat Tube Clamp	2
3	001035	Sleeve Seat Tube Clamp TILT	2
4a	112450	Frame Strut Tube 14W	4
4b	112451	Frame Strut Tube 15W	4
4c	112452	Frame Strut Tube 16W	4
4d	112453	Frame Strut Tube 17W	4
4e	112454	Frame Strut Tube 18W	4
4f	112455	Frame Strut Tube 19W	4
4g	112456	Frame Strut Tube 20W	4
4h	112457	Frame Strut Tube 21W	4
4i	112458	Frame Strut Tube 22W	4
5a	112460	Rotary Strut 14W	2
5b	112461	Rotary Strut 15W	2
5c	112462	Rotary Strut 16W	2
5d	112463	Rotary Strut 17W	2
5e	112464	Rotary Strut 18W	2
5f	112465	Rotary Strut 19W	2
5g	112466	Rotary Strut 20W	2
5h	112467	Rotary Strut 21W	2
5i	112468	Rotary Strut 22W	2
6	112469	Washer, Conical, M8	2
7	112492	Backrest Adapter Plate, CR45	2
8	112459	Rear Strut Mount	2
9	103385	M8 x 35 HHCS Blk Zn	2
10	112534	FHCS, M8x1.25x35, CLS10.9, BLZ, DIN7991	2
11	101825	M6 x 40 HHCS Blk Zn	4
12	102386	M6 x 35mm HHCS Blk Zc	4
13	101810	M6 x 35 SHCS BLK ZC	2

Item Number	Part Number	Description	Quantity
14	112535	Washer, Lock, M8, BLZ, DIN127B	2
15	100746	M6 Flat Washer Blk Zn <i>Use quantity 12 with transit</i>	8
16	100658	M6 Nylock Nut Blk Zn <i>Use quantity 14 with transit</i>	10
17	001078	Transit Bracket Front TILT	2
18	101811	M6 x 35 BHCS Blk Zn	4