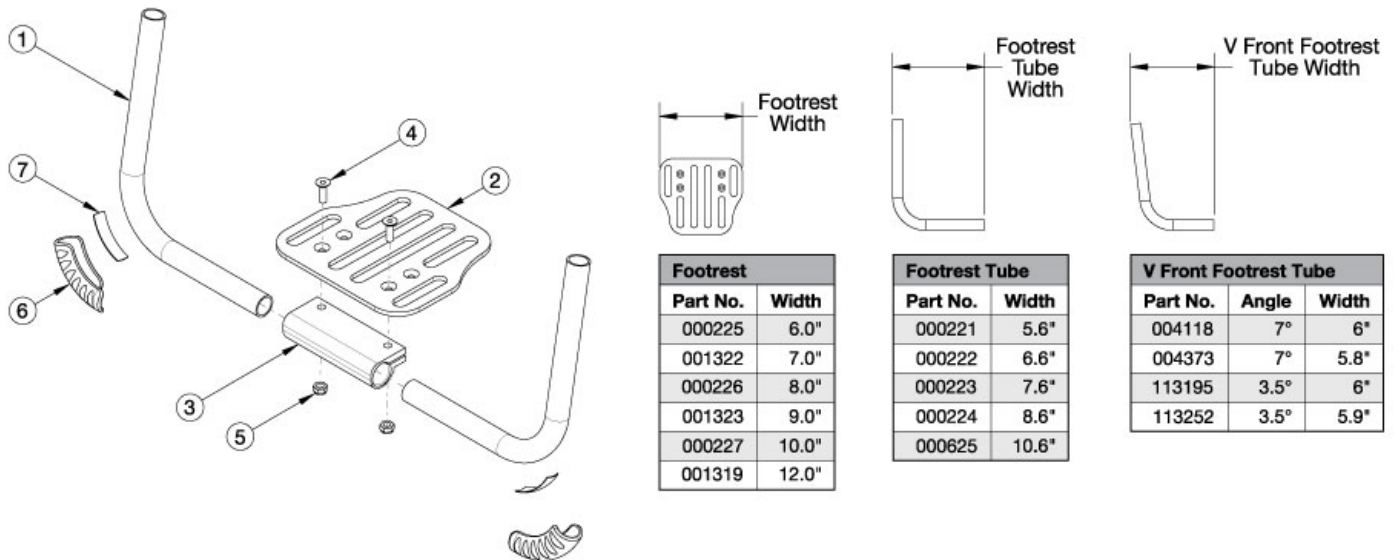


Rogue2 Footrest - Aluminum Angle Adjustable



If changing from a high mount footrest to a frame inserted footrest, please see the "Rogue2 Rigid Frame" page for necessary hardware.

Item Number	Part Number	Description	Quantity
1a, 2b, 3-5	117520	Angle Adjustable Footrest Assembly 12" wide, Rogue2 <i>Used on 12" wide with 0" taper, 14" wide with 1" taper, or 16" wide with 2" taper</i>	1
1a, 2c, 3-5	117521	Angle Adjustable Footrest Assembly 13" wide, Rogue2 <i>Used on 13" wide with 0" taper, 15" wide with 1" taper, or 17" wide with 2" taper</i>	1
1b, 2d, 3-5	117522	Angle Adjustable Footrest Assembly 14" wide, Rogue2 <i>Used on 14" wide with 0" taper, 16" wide with 1" taper, or 18" wide with 2" taper</i>	1
1b, 2e, 3-5	117523	Angle Adjustable Footrest Assembly 15" wide, Rogue2 <i>Used on 15" wide with 0" taper, 17" wide with 1" taper, or 19" wide with 2" taper</i>	1
1c, 2e, 3-5	117524	Angle Adjustable Footrest Assembly 16-17" wide, Rogue2 <i>Used on 16-17" wide with 0" taper, 18-19" wide with 1" taper, or 20" wide with 2" taper</i>	1
1d, 2f, 3-5	117525	Angle Adjustable Footrest Assembly 18-19" wide, Rogue2 <i>Used on 18-19" wide with 0" taper or 20" wide with 1" taper</i>	1
1e, 2f, 3-5	117526	Angle Adjustable Footrest Assembly 20" wide, Rogue2 <i>used on 20" wide with 0" taper</i>	1
1h, 2a, 3-5	117527	Angle Adjustable Footrest Assembly 12" wide, 3.5V Front, Standard, Rogue2 <i>Used on 12" widths with 8-13.5" seat to footrest lengths.</i>	1

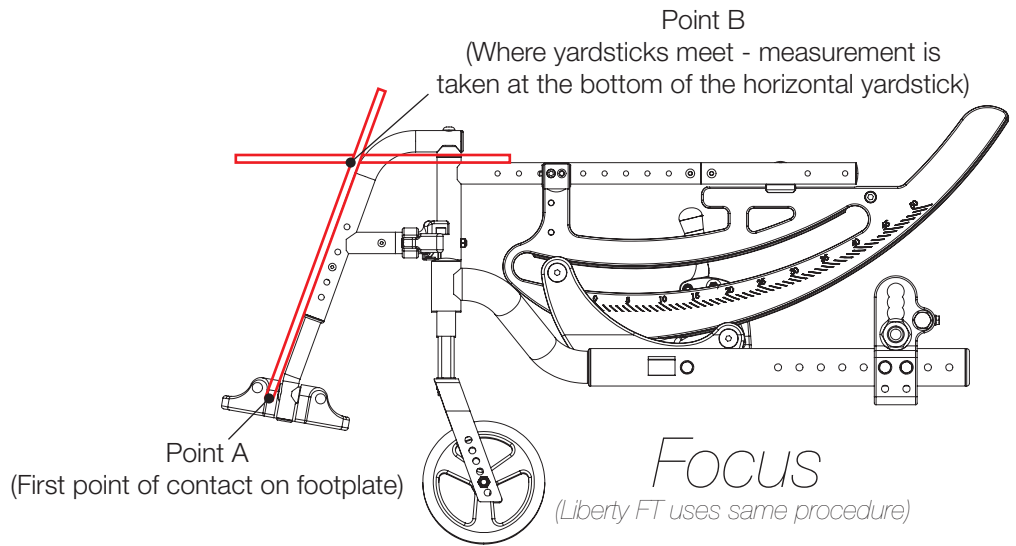
Item Number	Part Number	Description	Quantity
1i, 2a, 3-5	117528	Angle Adjustable Footrest Assembly 12-13" wide, 3.5V Front, Short, Rogue2 <i>Used on 12" widths with 14-14.5" seat to footrest lengths or 13" widths with 16-19.5" seat to footrest lengths.</i>	1
1h, 2b, 3-5	117529	Angle Adjustable Footrest Assembly 13" wide, 3.5V Front, Standard, Rogue2 <i>Used on 13" widths with 8.5-13.5" seat to footrest lengths.</i>	1
1i, 2b, 3-5	117530	Angle Adjustable Footrest Assembly 13-14" wide, 3.5V Front, Short, Rogue2 <i>Used on 13" widths with 14-16" seat to footrest lengths or 14" widths with 18-19.5" seat to footrest lengths.</i>	1
1h, 2c, 3-5	117531	Angle Adjustable Footrest Assembly 13-14" wide, 3.5V Front, Standard, Rogue2 <i>Used on 13" widths with 8" seat to footrest lengths or 14" widths with 10-13.5" seat to footrest lengths.</i>	1
1i, 2c, 3-5	117532	Angle Adjustable Footrest Assembly 14" wide, 3.5V Front, Short, Rogue2 <i>Used on 14" widths with 14-17.5" seat to footrest lengths.</i>	1
1h, 2d, 3-5	117533	Angle Adjustable Footrest Assembly 14-15" wide, 3.5V Front, Standard, Rogue2 <i>Used on 14" widths with 8-9.5" seat to footrest lengths or 15" widths and 11.5-13.5" seat to footrest lengths.</i>	1
1i, 2d, 3-5	117534	Angle Adjustable Footrest Assembly 15" wide, 3.5V Front, Short, Rogue2 <i>Used on 15" widths with 14-19.5" seat to footrest lengths.</i>	1
1h, 2e, 3-5	117535	Angle Adjustable Footrest Assembly 15-16" wide, 3.5V Front, Standard, Rogue2 <i>Used on 15" widths with 8-11" seat to footrest lengths or 16" widths with 8-13.5" seat to footrest lengths.</i>	1
1i, 2e, 3-5	117536	Angle Adjustable Footrest Assembly 16" wide, 3.5V Front, Short, Rogue2 <i>Used on 16" widths with 13.5-19.5" seat to footrest lengths.</i>	1
1h, 2f, 3-5	117537	Angle Adjustable Footrest Assembly 17-20" wide, 3.5V Front, Standard, Rogue2 <i>Used on 17" or 18" widths with 8-13.5" seat to footrest lengths.</i>	1
1i, 2f, 3-5	117538	Angle Adjustable Footrest Assembly 17-20" wide, 3.5V Front, Short, Rogue2 <i>Used on 17" widths with 14-14.5" seat to footrest lengths or 18-20" widths with 14-19.5" seat to footrest lengths.</i>	1
1f, 2a, 3-5	117539	Angle Adjustable Footrest Assembly 12-13" wide, 7V Front, Standard, Rogue2 <i>Used on 12" widths with 8-9.5" seat to footrest lengths or 13" widths with 10-11" seat to footrest lengths.</i>	1
1g, 2a, 3-5	117540	Angle Adjustable Footrest Assembly 13-15" wide, 7V Front, Short, Rogue2 <i>Used on 13" widths with 11.5-13.5" seat to footrest lengths, 14" widths with 14-17.5" seat to footrest lengths, or 15" widths with 18-19.5" seat to footrest lengths.</i>	1
1f, 2b, 3-5	117541	Angle Adjustable Footrest Assembly 13-14" wide, 7V Front, Standard, Rogue2 <i>Used on 13" widths with 8-9.5" seat to footrest lengths or 14" widths with 10-11" seat to footrest lengths.</i>	1
1g, 2b, 3-5	117542	Angle Adjustable Footrest Assembly 14-16" wide, 7V Front, Short, Rogue2 <i>Used on 14" widths with 11.5-13.5" seat to footrest lengths, 15" widths with 14-17.5" seat to footrest lengths, or 16" widths with 18-19.5" seat to footrest lengths.</i>	1

Item Number	Part Number	Description	Quantity
1f, 2c, 3-5	117543	Angle Adjustable Footrest Assembly 14-15" wide, 7V Front, Standard, Rogue2 <i>Used on 14" widths with 8-9.5" seat to footrest lengths or 15" widths with 10-11" seat to footrest lengths.</i>	1
1g, 2c, 3-5	117544	Angle Adjustable Footrest Assembly 15-17" wide, 7V Front, Short, Rogue2 <i>Used on 15" widths with 11.5-13.5" seat to footrest lengths, 16" widths with 14-17.5" seat to footrest lengths, or 17" widths with 18-19.5" seat to footrest lengths.</i>	1
1f, 2d, 3-5	117545	Angle Adjustable Footrest Assembly 15-16" wide, 7V Front, Standard, Rogue2 <i>Used on 15" widths with 8-9.5" seat to footrest lengths or 16" widths with 10-11" seat to footrest lengths.</i>	1
1g, 2d, 3-5	117546	Angle Adjustable Footrest Assembly 16-18" wide, 7V Front, Short, Rogue2 <i>Used on 16" widths with 11.5-13.5" seat to footrest lengths, 17" widths with 14-17.5" seat to footrest lengths, or 18" widths with 18-19.5" seat to footrest lengths.</i>	1
1f, 2e, 3-5	117547	Angle Adjustable Footrest Assembly 16-18" wide, 7V Front, Standard, Rogue2 <i>Used on 16" widths with 8-9.5" seat to footrest lengths, 17" widths with 8-11" seat to footrest lengths, or 18" widths with 10-11" seat to footrest lengths.</i>	1
1g, 2e, 3-5	117548	Angle Adjustable Footrest Assembly 17-20" wide, 7V Front, Short, Rogue2 <i>Used on 17" widths with 11.5-13.5" seat to footrest lengths, 18" widths with 11.5-17.5" seat to footrest lengths, 19" widths with 14-19.5" seat to footrest lengths, or 20" widths with 18-19.5" seat to footrest lengths.</i>	1
1f, 2f, 3-5	117549	Angle Adjustable Footrest Assembly 18-20" wide, 7V Front, Standard, Rogue2 <i>Used on 18" widths with 8-9.5" seat to footrest lengths, 19" widths with 8-11" seat to footrest lengths, or 20" widths with 8-11" seat to footrest lengths.</i>	1
1g, 2f, 3-5	117550	Angle Adjustable Footrest Assembly 19-20" wide, 7V Front, Short, Rogue2 <i>Used on 19" widths with 11.5-13.5" seat to footrest lengths or 20" widths with 11.5-17.5" seat to footrest lengths.</i>	1
6, 7	501739	Footrest Protector w/ Instructions Kit Left Rigid	1
6, 7	501740	Footrest Protector w/ Instructions Kit Right Rigid	1
6, 7	501741	Footrest Protector w/ Instructions Kit PAIR Rigid	1
1a	000221	Footrest Tube Angle Adjustable 5.6" Rigid <i>used on 12-13" wide with 0" taper, 12-15" wide with 1" taper, and 14-17" wide with 2" taper</i>	2
1b	000222	Footrest Tube Angle Adjustable 6.6" Rigid <i>used on 14-15" wide with 0" taper, 16-17" wide with 1" taper, and 18-19" wide with 2" taper</i>	2
1c	000223	Footrest Tube Angle Adjustable 7.6" Rigid <i>used on 16-17" wide with 0" taper, 18-19" wide with 1" taper, and 20" wide with 2" taper</i>	2
1d	000224	Footrest Tube Angle Adjustable 8.6" Rigid <i>used on 18-19" wide with 0" taper, 20" wide with 1" taper</i>	2

Item Number	Part Number	Description	Quantity
1e	000625	Footrest Tube Angle Adjustable 10.6" Rigid <i>used on 20" wide with 0" taper</i>	2
1f	004118	V Front Footrest Tube, Standard <i>Used with 8-11" seat to footrest lengths with 7 degree V front footrests</i>	2
1g	004373	V Front Footrest Tube, Short <i>Used with 11.5" or greater seat to footrest lengths with 7 degree V front footrests</i>	2
1h	113195	V Front Footrest Tube 3.5 Degree, Standard <i>Used with 8-13.5" seat to footrest lengths with 3.5 degree V front footrests</i>	2
1i	113252	V Front Footrest Tube 3.5 Degree, Short <i>Used with 14" or greater seat to footrest lengths with 3.5 degree V front footrests</i>	2
2a	000225	Footrest Platform Angle Adjustable 6"	1
2b	001322	Footrest Platform Angle Adjustable 7"	1
2c	000226	Footrest Platform Angle Adjustable 8"	1
2d	001323	Footrest Platform Angle Adjustable 9"	1
2e	000227	Footrest Platform Angle Adjustable 10"	1
2f	001319	Footrest Platform Angle Adjustable 12"	1
3	100789	Footrest Adjustable Clamp 5"	1
4	100662	M6 x 25 FSHCS BLK ZC	2
5	100658	M6 Nylock Nut Blk Zn	2

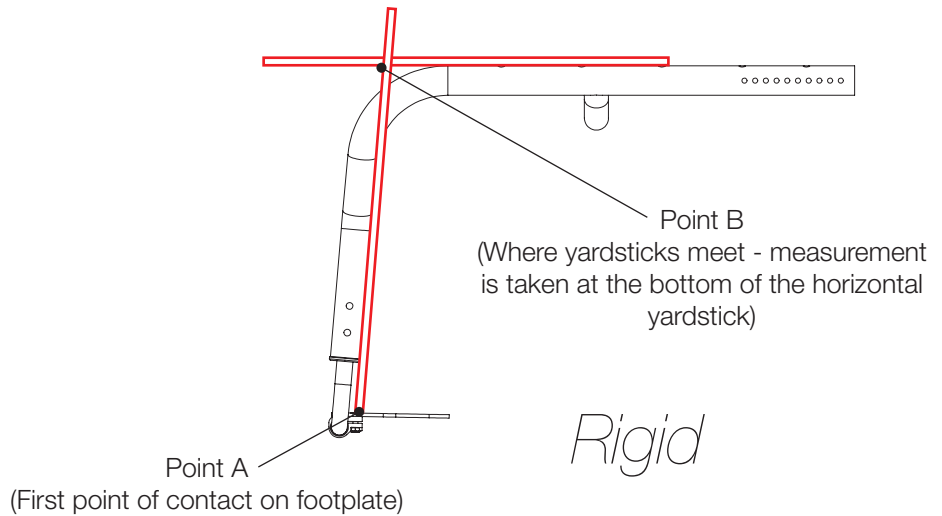
Distance between Point A and Point B = Footplate Length

NOTE: The yardstick on the top plane of the seat frame must lie flat against frame. The yardstick going from the footplate to the second yardstick must be square against the hanger tube.



Distance between Point A and Point B = Footplate Length

NOTE: The yardstick on the top plane of the seat frame must lie flat against frame. The yardstick going from the footplate to the second yardstick must be square against the front tube.



Distance between Point A and Point B = Footplate Length

NOTE: The yardstick on the top plane of the hanger must lie flat against hanger. The yardstick going from the footplate to the second yardstick must be square against the hanger tube.

