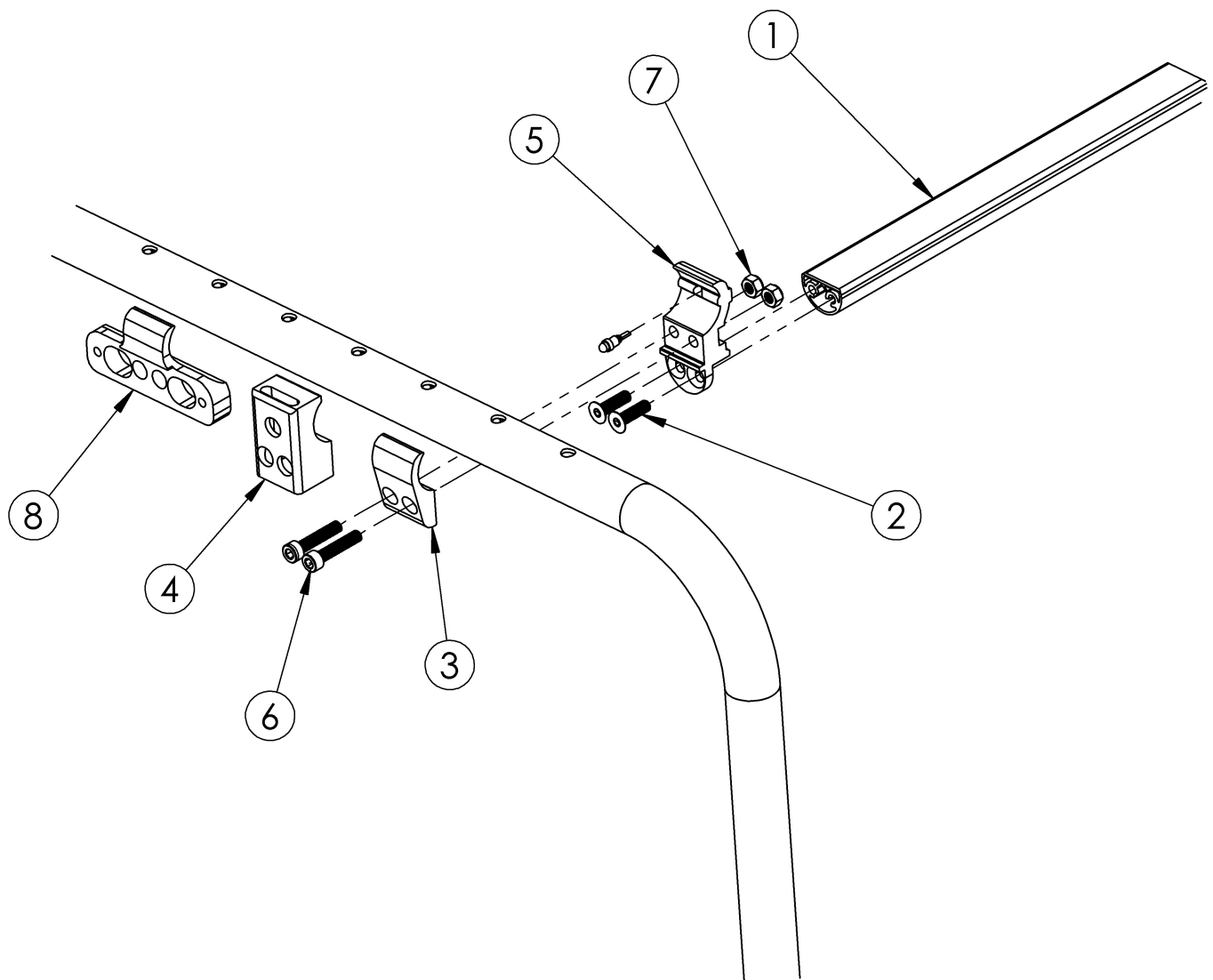


Clik Crosstube



Crosstubes measure approximately 1.5" less than the chair width

Item Number	Part Number	Description	Quantity
2, 3a, 5-7	502515	Crosstube Clamp Black Anodized and Hardware Kit CLIK	1
2, 3b, 5-7	502515_ _ _	Color Anodized Crosstube Clamp and Hardware Kit CLIK	1
2, 4a, 5-7	502516	Side Guard Clamp Black Anodized and Hardware Kit CLIK	1
2, 4b, 5-7	502516_ _ _	Color Anodized Side Guard Clamp and Hardware Kit CLIK	1
1a	001789	Crosstube 8" Wide, Clik	1

Item Number	Part Number	Description	Quantity
1b	001790	Crosstube 9" Wide, Klik	1
1c	001791	Crosstube 10" Wide, Klik	1
1d	001792	Crosstube 11" Wide, Klik	1
1e	001793	Crosstube 12" Wide, Klik	1
1f	001794	Crosstube 13" Wide, Klik	1
1g	001795	Crosstube 14" Wide, Klik	1
1h	001796	Crosstube 15" Wide, Klik	1
1i	001797	Crosstube 16" Wide, Klik	1
1j	002402	Crosstube 17" Wide, Klik	1
1k	002403	Crosstube 18" Wide, Klik	1
2	102624	M6 X 22 FHCS BLK ZC	2
3a	001798	Crosstube Mount Clamp Black Anodized LW	1
3b	001798_ _ _	Color Anodized Crosstube Mount Clamp LW	1
4a	001778	Side Guard and Ped T-Arm Clamp Black Anodized, Klik <i>Replaces item 3 when composite side guards are present</i>	1
4b	001778_ _ _	Side Guard Clamp and Ped T-Arm Color Anodized LW <i>Replaces item 3 when composite side guards are present</i>	1
5	001799	Crosstube Mount LW	1
6	102627	M6 X 30 SHCS BLK ZC	2
7	100658	M6 Nylock Nut Blk Zn	2
8	002772	Standard T-Arm Mount Klik <i>Replaces item 3 when t-arms are present</i>	1

Color Anodizing Samples

