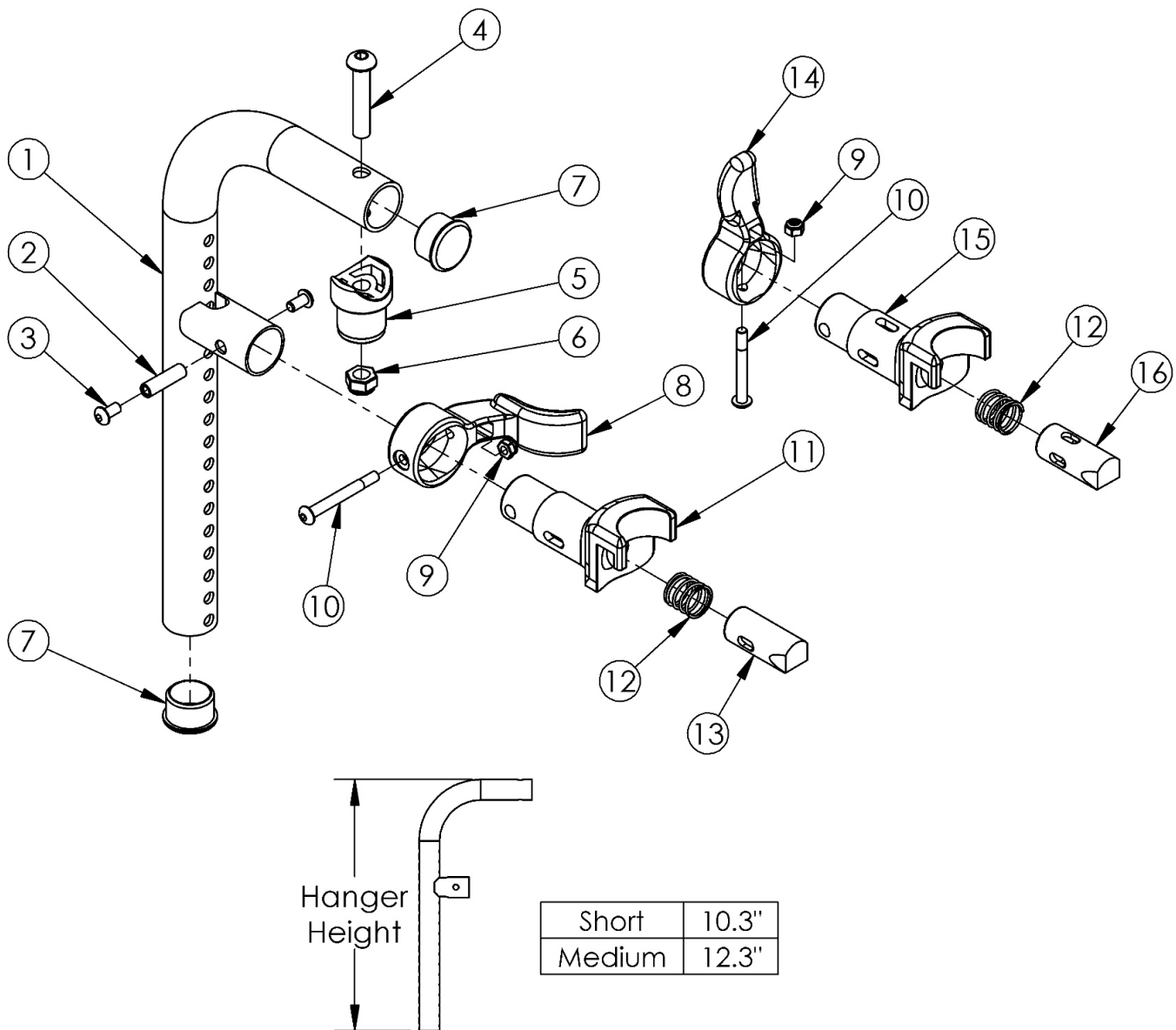


# Catalyst E Hangers - 90 Degree Front Mount



*If hangers were omitted, then latch blocks need to be ordered with hangers. If changing degree of hanger, new extension tubes may be needed*

Item Number	Part Number	Description	Quantity
1a, 2-7, 9, 10, 12, 14-16	504653_ _ _	Hanger Assm 90 Front Mount Medium 4-Way - In-Line	1
1b, 2-7, 9, 10, 12, 14-16	504651_ _ _	Hanger Assm 90 Front Mount Short 4-Way - In-Line	1
1a, 2-7, 9, 10, 12, 14-16	504675_ _ _	Hanger Assm 90 Front Mount Medium 4-Way - Out Left	1
1a, 2-7, 9, 10, 12, 14-16	504676_ _ _	Hanger Assm 90 Front Mount Medium 4-Way - Out Right	1

Item Number	Part Number	Description	Quantity
1b, 2-7, 9, 10, 12, 14-16	504673_ _ _ _	Hanger Assm 90 Front Mount Short 4-Way - Out Left	1
1b, 2-7, 9, 10, 12, 14-16	504674_ _ _ _	Hanger Assm 90 Front Mount Short 4-Way - Out Right	1
1a, 7	_ _ _ _163	Hanger Tube Assm 90 Front Mount Medium _ _ _ _	1
1b, 7	501361_ _ _ _	Hanger Tube Assm 90 Front Mount Short _ _ _ _	1
9, 10, 12, 14-16	003225	Assembled 4-Way In Line Hanger Release	1
9, 10, 12, 14-16	003225INST	Assembled 4-Way In Line Hanger Release with Instruction	1
9, 10, 12, 14-16	003643	Assembled 4-Way Out Hanger Release, Left	1
9, 10, 12, 14-16	003643INST	Assembled 4-Way Out Hanger Release, Left with Instruction	1
9, 10, 12, 14-16	003642	Assembled 4-Way Out Hanger Release, Right	1
9, 10, 12, 14-16	003642INST	Assembled 4-Way Out Hanger Release, Right with Instruction	1
2	000073	M5 x 24 Threaded Barrel	1
3	100669	M5 x 10 BTN SHCS BLKZC w/Patch	2
4	100673	M8 x 45 BTN SHCS BLKZC	1
5	000032	Footrest Hanger Pivot Saddle	1
6	100659	M8 Nylock Nut Blk Zn	1
7	100804	Tube End Plug 1"	2
8	001158	Lever Swing Away Short	1
9	100657	M5 Nylock Nut Blk Zn	1
10	001374	M5 x 40 BHCS P/THD BLKZC	1
11	000031	Hanger Bracket	1
12	000119	Hanger Spring	1
14	003228	Hanger Latch, 4-Way, Lever	1
14	003228INST	Hanger Latch, 4-Way, Lever with Instruction	1
15	003226	Hanger Latch, 4-Way, Bracket	1
15	003226INST	Hanger Latch, 4-Way, Bracket with Instruction	1
16	003227	Hanger Latch, 4-Way, Pin	1
16	003227INST	Hanger Latch, 4-Way, Pin with Instruction	1

Matte Finish	
Code	Color Name
CGM	Charcoal Gray
EGM	Emerald Green
GGM	Graphite Gray*
IBM	Iridescent Burgundy
INM	Iridescent Navy
AGM	Military Green**
RRM	Retro Red
RBM	Royal Blue
SBM	Shadow Black
SWM	Smooth White

\* Discontinued Color

\*\* Formerly called Army Green

Gloss Finish	
Code	Color Name
BLK	Black
BLU	Blue
SKY	Blue Skies
BRO	Bright Orange*
PNK	Bubblegum Pink
BUR	Burgundy*
CBL	Candy Blue
PUR	Candy Purple
RED	Candy Red
COP	Copper
DPR	Deep Purple*
EBL	Electric Blue*
GRN	Forest Green*
FUS	Fuchsia*
GSM	Granny Smith
MTF	Metallic Fuchsia*
MOR	Metallic Orange
ORG	Orange*
SAP	Sapphire*
SIL	Silver
TEA	Teal
YLW	Yellow
FLM	Graphic Image Transfer