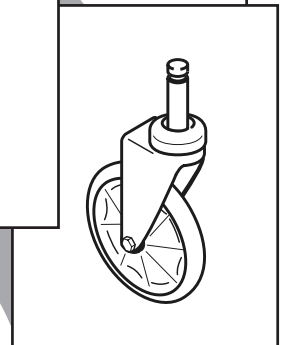
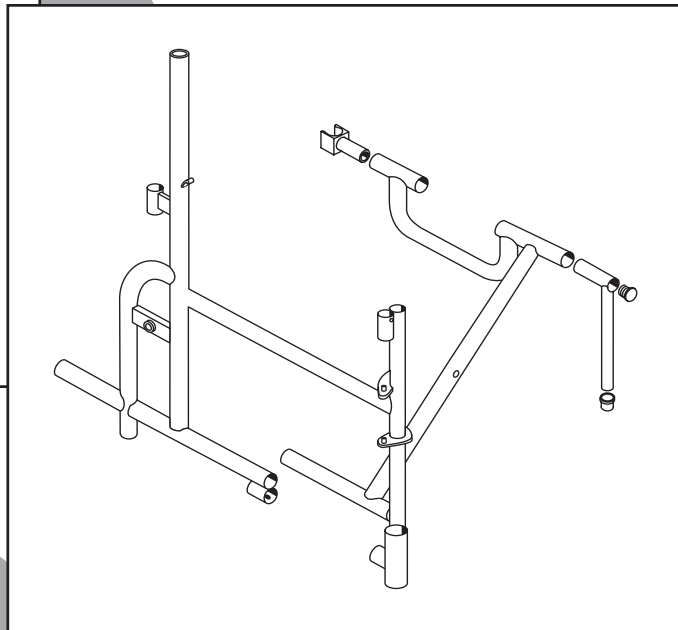
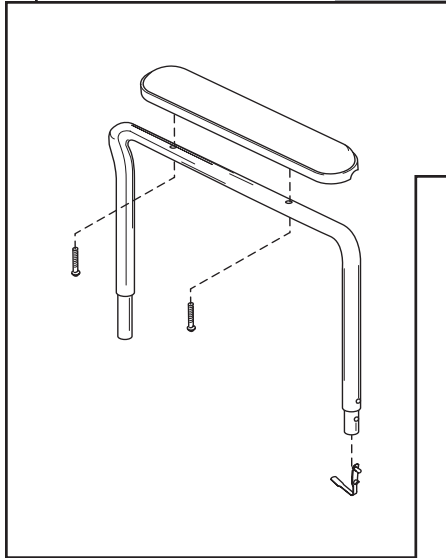


REHAB SHOWER COMMODE

PARTS CATALOG

To Order:
Southwest Medical & Rehab
Toll Free: 800.236.4215



Everest & Jennings®

A Graham-Field Brand

CONTENTS

SIDEFRA M E & CROSSBRACE	3
SEAT	4
PAIL & LID	4
BACK UPHOLSTERY	5
ARM	5
FOOTREST	6
FRONT CASTER	6
REAR WHEEL	7
WHEEL LOCK	7

TO ORDER

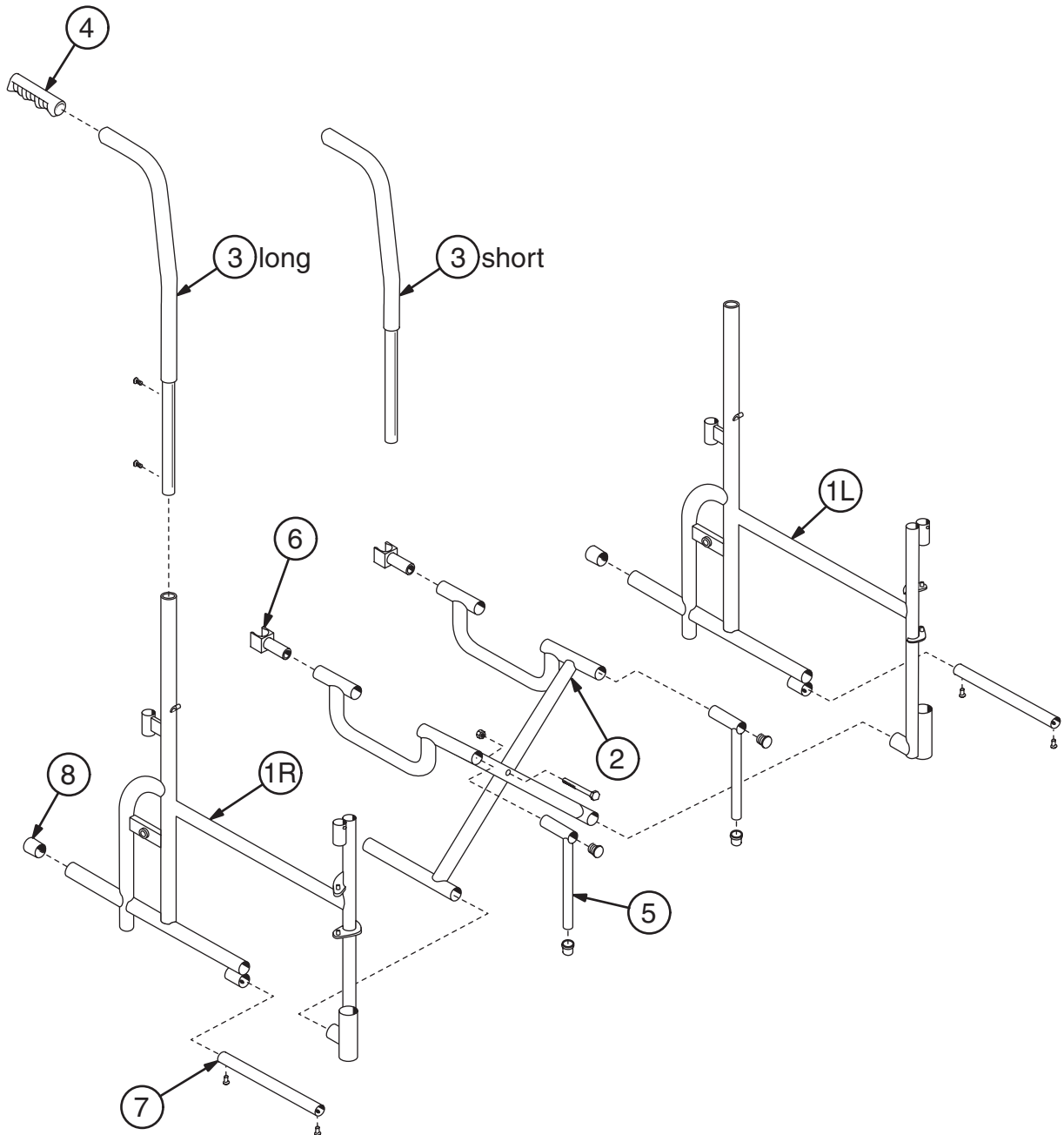
Tel: 800.236.4215 • Fax: 602.230.9493

Returns: Parts may not be returned without prior authorization from GF Health Products, Inc. Custom parts cannot be returned for credit. Please refer to GF Health Products, Inc. **Terms and Conditions** for further information.

All illustrations and specifications contained in this catalog are based on the latest product information available at the time of the printing. GF Health Products, Inc. is not responsible for typographical errors. Packaging, warranties and products are subject to change without notice. When ordering parts from this catalog, we suggest that you check with our Customer Service Department to ensure that you have the latest revision level of this catalog, which is printed below each page number. GF Health Products, Inc. reserves the right to make changes at any time without notice. Availability of parts for wheelchairs over seven years old cannot be guaranteed.

© 2005, GF Health Products, Inc., All Rights Reserved

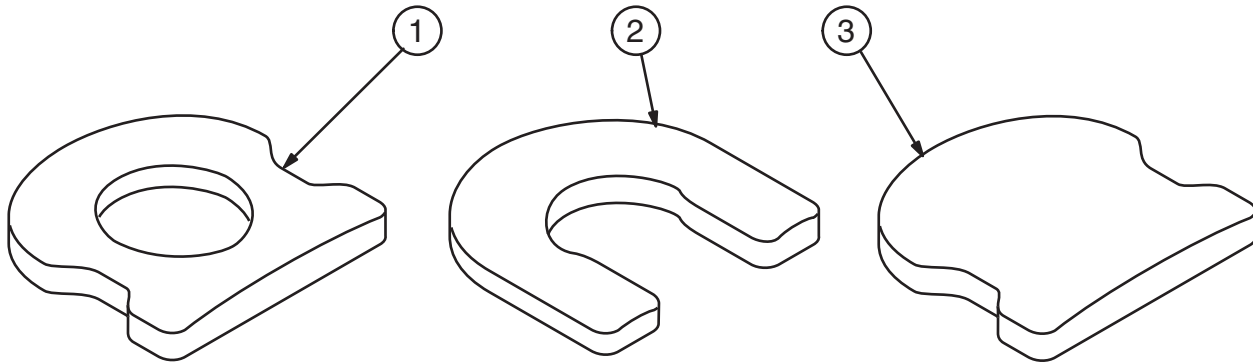
SIDEFRADE & CROSSBRACE



1 Sideframe, each	
Right	90835201
Left	90835202
2 Crossbrace, pair (includes center bolt and nut)	9P835211
3 Backpost / push handle, pair (includes mounting hardware)	
Short (14-1/2")	9P835228
Long (17-1/2")	9P835230

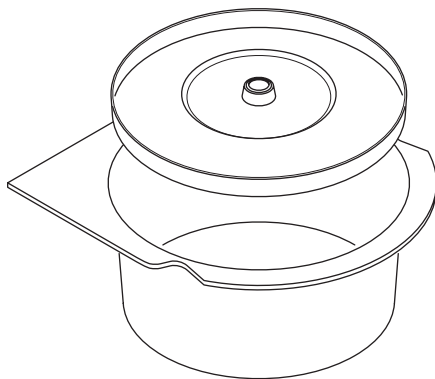
4 Grip, black (10 each)	9BD82845
5 Front slide post kit (includes 1 each front slide post, seat rail plug and bushing)	
.....	90H35218
6 Seat rail guide (10 each)	9BE25320
7 Bottom inner rail, pair (includes 2 each bottom inner rail and 4 each rivets) ..	9P835209
8 Tipping sleeve (10 each)	9B279690

SEAT



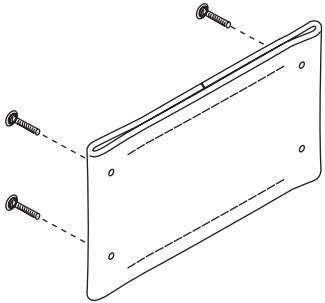
1	Padded seat, oval cutout (includes hooks)	90835070
2	Padded seat, open front (includes hooks)	90835175
3	Padded seat (includes hooks)	90835180

PAIL & LID



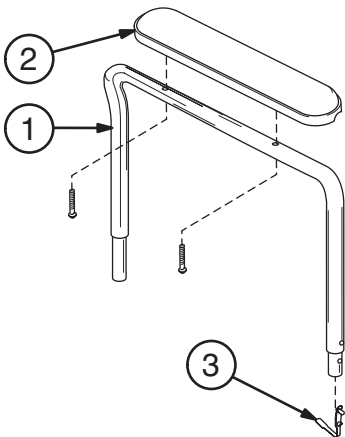
Commode pail and lid	90H43170
----------------------	----------

BACK UPHOLSTERY



Back upholstery kit (includes back upholstery and mounting hardware)
..... 90H35060

ARM

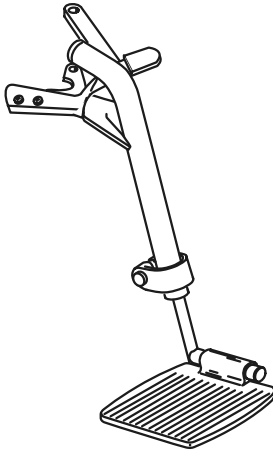


1 Arm kit (includes right and left full-length arm with spring lock (does not include arm pad) 9P835215

2 Arm pad kit (includes 2 black plastic full-length arm pads and mounting screws) 9P190E01

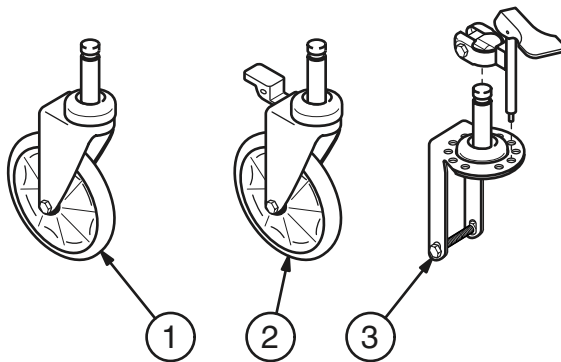
3 Spring lock (10 each) 9B232870

FOOTREST



Footrest kit, pair (left shown) includes
right and left hanger, release, and
footplate with extension 90761752

FRONT CASTER



Current caster: 5" x 1 1/4" tire

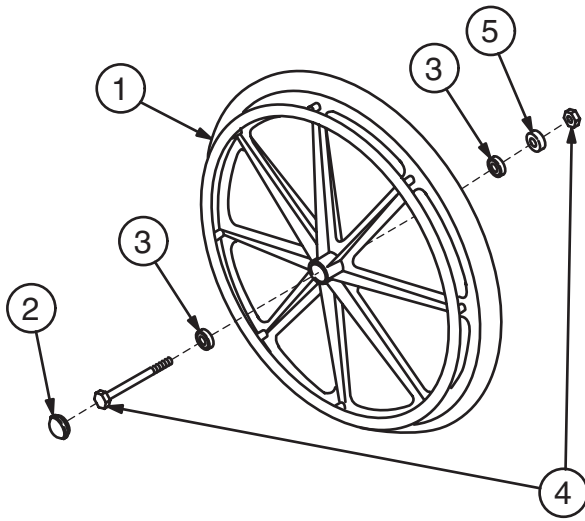
- 1 Caster, 5" x 1 1/4" tire, pair
(includes wheel, fork, bearings, axle
and axle nut) 9P835330
- 2 Caster, 5" x 1 1/4" tire, with step-on lock, pair
(includes wheel with step-on lock, fork,
bearings, axle and axle nut) 9P835331
- 3 * Caster pin lock for 5" x 1 1/4" tire, pair
(does not include wheel) 9P292900

Discontinued caster: 5" x 7/8" tire

- 1 Caster, 5" x 7/8" tire, pair
(includes wheel, fork, bearings, axle
and axle nut) 9P054200
- 2 Caster, 5" x 7/8" tire, with step-on lock
(includes wheel with step-on lock, fork,
bearings, axle and axle nut) 9P054210
- 3 * Caster pin lock for 5" x 7/8" tire, pair
(does not include wheel) 9P292850

Note: Caster pin locks for 1 1/4" tires are not usable
with 7/8" tires; caster pin locks for 7/8" tires
are not usable with 1 1/4" tires.

REAR WHEEL



1 Rear wheel, each (includes hub cap and bearings; does not include axle or nut)

- 1" solid rubber tire, integral handrims 90-011B1
- 1" solid rubber tire, plastic-coated handrims 90-01J02
- 1 3/8" pneumatic tire, plastic-coated handrims 9000B027

2 Hub cap (10 each)

- 1" solid rubber tire 9B045035
- 1 3/8" pneumatic tire 9B031371

3 Wheel bearing (10 each)

- 1" solid rubber tire 9B007700
- 1 3/8" pneumatic tire 9B850045

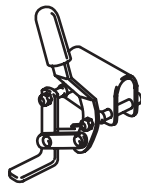
4 Rear axle and nut (10 each)

- 1" solid rubber tire 9B-47320
- 1 3/8" pneumatic tire 9B-47321

5 Axle spacer for integral handrim

- wheel ONLY (10 each) 9B007360

WHEEL LOCK



Wheel lock, pair, push-to-lock (includes rubber tip) 9P123011

Rubber tip, wheel lock (10 each) 9BD82746