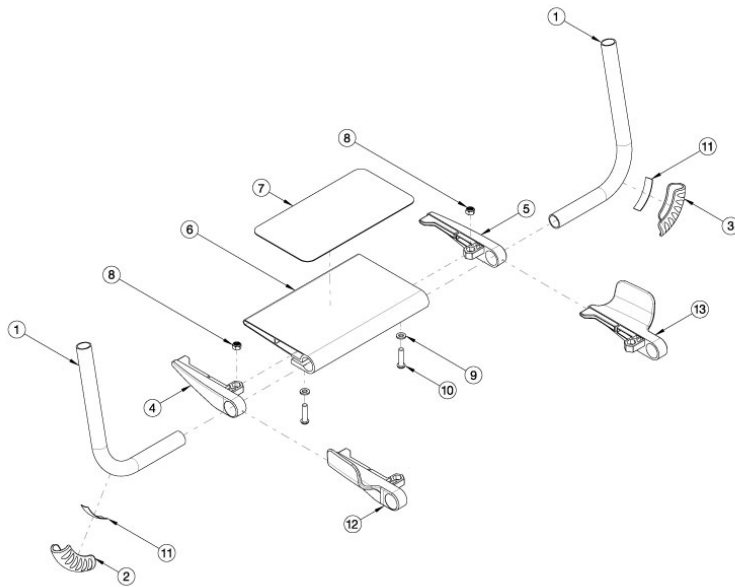
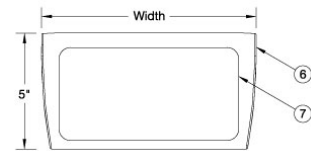


Rogue2 Footrest - Hybrid Angle Adjustable



Seat Width	Footplate Taper Part Number				Hybrid with Wings			
	Hybrid 0" Taper	1" Taper	2" Taper	V Taper	0" Taper	1" Taper	2" Taper	V Taper
12"	004471	004469	N/A	N/A	004470	004469	N/A	N/A
13"	004472	004470	N/A	004469	004471	004469	N/A	004469
14"	004473	004471	N/A	004469	004472	004470	N/A	004469
15"	004474	004472	N/A	004470	004473	004471	N/A	004469
16"	004475	004473	004471	004471	004474	004472	004470	004470
17"	004476	004474	004472	004472	004475	004473	004471	004471
18"	004477	004475	004473	004473	004476	004474	004472	004472
19"	004478	004476	004474	004474	004477	004475	004473	004473
20"	004479	004477	004475	004475	004478	004476	004474	004474

Footplate Length Part Number	
Hybrid & Hybrid with Wings	
Part Number	Width
004469	4"
004470	5"
004471	6"
004472	7"
004473	8"
004474	9"
004475	10"
004476	11"
004477	12"
004478	13"
004479	14"



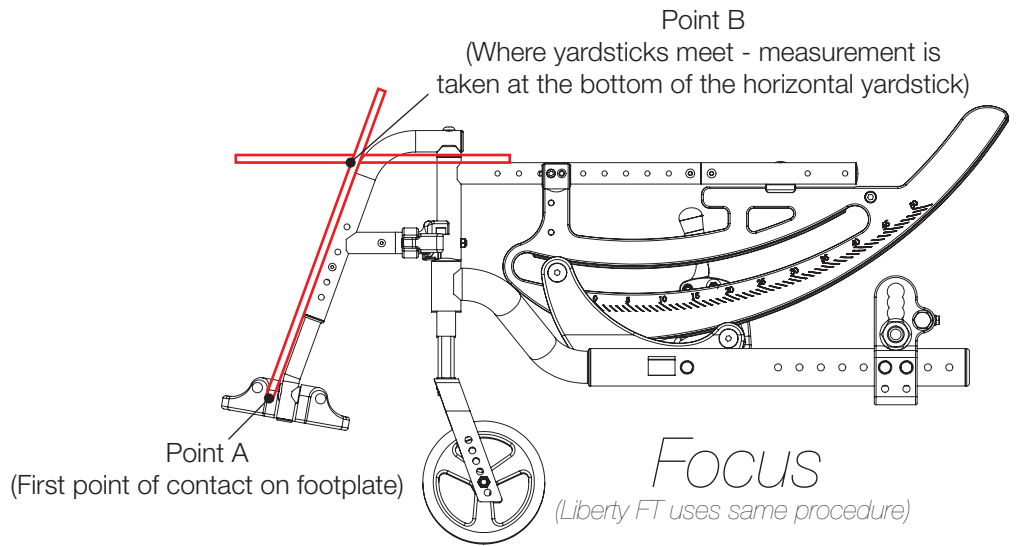
See the "Rogue2 Rigid Frame" page for hardware to attach footrest tubes to chair.

Item Number	Part Number	Description	Quantity
3, 11	501739	Footrest Protector w/ Instructions Kit Left Rigid	1
2, 11	501740	Footrest Protector w/ Instructions Kit Right Rigid	1
2, 3, 11	501741	Footrest Protector w/ Instructions Kit PAIR Rigid	1
1a	000221	Footrest Tube Angle Adjustable 5.6" Rigid <i>Used on 12-13" widths with 0" taper, 12-15" widths with 1" taper, and 14-17" widths with 2" taper.</i>	2
1b	000222	Footrest Tube Angle Adjustable 6.6" Rigid <i>Used on 14-15" widths with 0" taper, 16-17" widths with 1" taper, and 18-19" widths with 2" taper.</i>	2
1c	000223	Footrest Tube Angle Adjustable 7.6" Rigid <i>Used on 16-17" widths with 0" taper, 18-19" widths with 1" taper, and 20" widths with 2" taper.</i>	2
1d	000224	Footrest Tube Angle Adjustable 8.6" Rigid <i>Used on 18-19" widths with 0" taper, 20" widths with 1" taper.</i>	2
1e	000625	Footrest Tube Angle Adjustable 10.6" Rigid <i>Used on 20" widths with 0" taper.</i>	2
1f	113195	V Front Footrest Tube 3.5 Degree, Standard <i>Used with 3.5 Degree V-Front with 8-13.5" seat to footrest lengths.</i>	2

Item Number	Part Number	Description	Quantity
1g	113252	V Front Footrest Tube 3.5 Degree, Short <i>Used with 3.5 Degree V-Front with 14-19.5" seat to footrest lengths.</i>	2
1h	004118	V Front Footrest Tube, Standard <i>Used with 7 Degree V-Front with 8-11" seat to footrest lengths.</i>	2
1i	004373	V Front Footrest Tube, Short <i>Used with 7 Degree V-Front with 11.5-19.5" seat to footrest lengths.</i>	2
4	003949	Footrest Cap Right	1
5	003950	Footrest Cap Left	1
6a, 7a	004469	Hybrid Angle Adjustable Footplate 4" with Grip	1
6b, 7a	004470	Hybrid Angle Adjustable Footplate 5" with Grip	1
6c, 7b	004471	Hybrid Angle Adjustable Footplate 6" with Grip	1
6d, 7b	004472	Hybrid Angle Adjustable Footplate 7" with Grip	1
6e, 7c	004473	Hybrid Angle Adjustable Footplate 8" with Grip	1
6f, 7c	004474	Hybrid Angle Adjustable Footplate 9" with Grip	1
6g, 7d	004475	Hybrid Angle Adjustable Footplate 10" with Grip	1
6h, 7d	004476	Hybrid Angle Adjustable Footplate 11" with Grip	1
6i, 7e	004477	Hybrid Angle Adjustable Footplate 12" with Grip	1
6j, 7e	004478	Hybrid Angle Adjustable Footplate 13" with Grip	1
6k, 7e	004479	Hybrid Angle Adjustable Footplate 14" with Grip	1
8	100658	M6 Nylock Nut Blk Zn	2
9	100746	M6 Flat Washer Blk Zn	2
10	101593	M6 x 25 BTN SHCS BLKZC	2
12	003951	Footrest Cap Right with Wing	1
13	003952	Footrest Cap Left with Wing	1

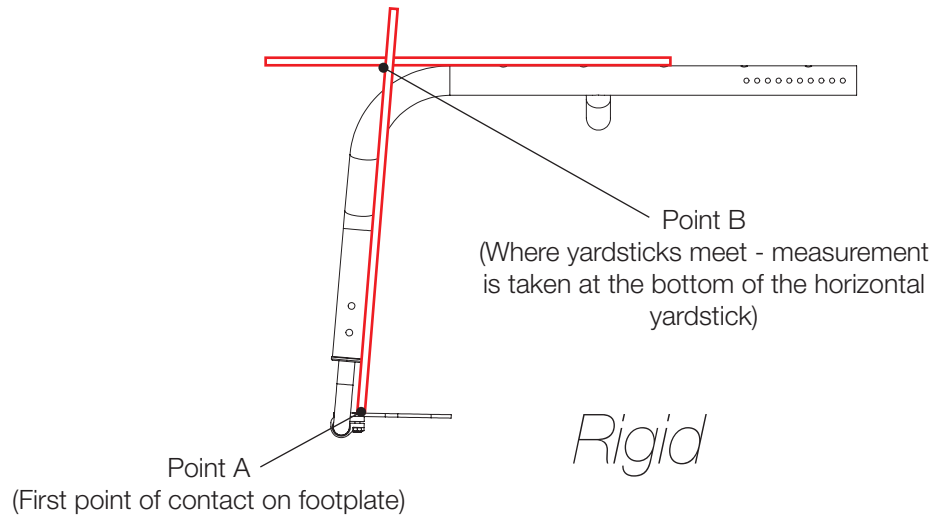
Distance between Point A and Point B = Footplate Length

NOTE: The yardstick on the top plane of the seat frame must lie flat against frame. The yardstick going from the footplate to the second yardstick must be square against the hanger tube.



Distance between Point A and Point B = Footplate Length

NOTE: The yardstick on the top plane of the seat frame must lie flat against frame. The yardstick going from the footplate to the second yardstick must be square against the front tube.



Distance between Point A and Point B = Footplate Length

NOTE: The yardstick on the top plane of the hanger must lie flat against hanger. The yardstick going from the footplate to the second yardstick must be square against the hanger tube.

